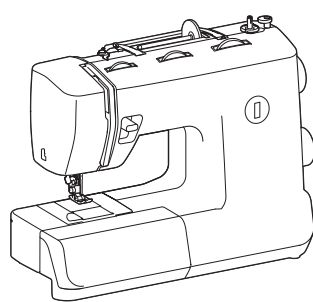


# Operation Manual

brother

## Sewing Machine

Product Code: 888-X36/X38/X39



Please visit us at <http://s.brother.com/b/> where you can get the support information (Instruction Videos, FAQs, etc.) for your Brother product.

Be sure to read this document before using the machine. We recommend that you keep this document nearby for future reference.

## IMPORTANT SAFETY INSTRUCTIONS

Please read these safety instructions before attempting to use the machine.

### ⚠ DANGER

- To reduce the risk of electric shock:

- 1 Always unplug the machine from the electrical outlet immediately after using, when cleaning, when making any user servicing adjustments mentioned in this manual, or if you are leaving the machine unattended.

### ⚠ WARNING

- To reduce the risk of burns, fire, electric shock, or injury to persons.

- 2 Always unplug the machine from the electrical outlet when making any adjustments mentioned in the instruction manual:

- To unplug the machine, switch the machine to the symbol "O" position to turn it off, then grasp the plug and pull it out of the electrical outlet. Do not pull on the cord.
- Plug the machine directly into the electrical outlet. Do not use an extension cord.
- Always unplug your machine if the power is cut.

### 3 Electrical Hazards:

- This machine should be connected to an AC power source within the range indicated on the rating label. Do not connect it to a DC power source or inverter. If you are not sure what kind of power source you have, contact a qualified electrician.
- This machine is approved for use in the country of purchase only.

- 4 Never operate this machine if it has a damaged cord or plug, if it is not working properly, if it has been dropped or damaged,

or water is spilled on the unit. Return the machine to the nearest authorized Brother dealer or service center for examination, repair, electrical or mechanical adjustment.

- While the machine is stored or in use if you notice anything unusual, such as an odor, heat, discoloration or deformation, stop using the machine and immediately unplug the power cord.
- When transporting the machine, be sure to carry it by its handle. Lifting the machine by any other part may damage the machine or result in the machine falling, which could cause injuries.
- When lifting the machine, be careful not to make any sudden or careless movements, otherwise you may injure your back or knees.

### 5 Always keep your work area clear:

- Never operate the machine with any air openings blocked. Keep ventilation openings of the machine and foot control free from the build up of lint, dust, and loose cloth.
- Do not store objects on the foot controller.
- Do not use extension cords. Plug the machine directly into the electrical outlet.
- Never drop or insert any object into any opening.
- Do not operate where aerosol (spray) products are being used or where oxygen is being administered.
- Do not use the machine near a heat source, such as a stove or iron; otherwise, the machine, power cord or garment being sewn may ignite, resulting in fire or an electric shock.
- Do not place this machine on an unstable surface, such as an unsteady or slanted table, otherwise the machine may fall, resulting in injuries.

### 6 Special care is required when sewing:

- Always pay close attention to the needle. Do not use bent or damaged needles.
- Keep fingers away from all moving parts. Special care is required around the machine needle.
- Do not turn on the machine while pressing down the foot controller. The machine may start unexpectedly and cause personal injury or damage to the machine.
- Switch the machine to the symbol "O" position to turn it off when making any adjustments in the needle area.
- Do not use a damaged or incorrect needle plate, as it could cause the needle to break.
- Do not push or pull the fabric when sewing, and follow careful instruction when freehand stitching so that you do not deflect the needle and cause it to break.

### 7 This machine is not a toy:

- Your close attention is necessary when the machine is used by or near children.
- The plastic bag that this machine was supplied in should be kept out of the reach of children or disposed of. Never allow children to play with the bag due to the danger of suffocation.
- Do not use outdoors.

### 8 For a longer service life:

- When storing this machine, avoid direct sunlight and high humidity locations. Do not use or store the machine near a space heater, iron, halogen lamp, or other hot objects.
- Use only neutral soaps or detergents to clean the case. Benzene, thinner, and scouring powders can damage the case and machine, and should never be used.
- Always consult the operation manual when replacing or installing any assemblies, the presser feet, needle, or other parts to assure correct installation.

### 9 For repair or adjustment:

- If the light unit (light-emitting diode) is damaged, it must be replaced by authorized Brother Service Center.
- In the event a malfunction occurs or adjustment is required, first follow the troubleshooting table in the back of the operation manual to inspect and adjust the machine yourself. If the problem persists, please consult your local authorized Brother Service Center.

Use this machine only for its intended use as described in this manual.

Use accessories recommended by the manufacturer as contained in this manual.

The contents of this manual and specifications of this product are subject to change without notice.

For additional product information, visit our web site at [www.brother.com](http://www.brother.com)

## SAVE THESE INSTRUCTIONS

This machine is intended for household use.

### FOR USERS IN COUNTRIES EXCEPT CENELEC COUNTRIES

This appliance is not intended for use by persons (including children) with reduced physical, sensory or mental capabilities, or lack of experience and knowledge, unless they have been given supervision or instruction concerning use of the appliance by a person responsible for their safety. Children should be supervised to ensure that they do not play with the appliance.

### FOR USERS IN CENELEC COUNTRIES

This appliance can be used by children aged from 8 years and above and persons with reduced physical, sensory or mental capabilities or lack of experience and knowledge if they have been given supervision or instruction concerning use of the appliance in a safe way and understand the hazards involved. Children shall not play with the appliance. Cleaning and user maintenance shall not be made by children without supervision.

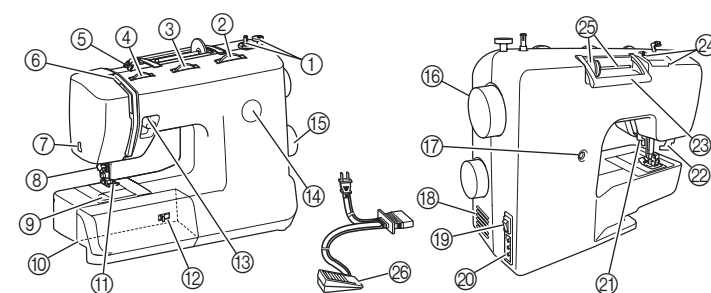
### FOR USERS IN THE UK, EIRE, MALTA AND CYPRUS ONLY

#### IMPORTANT

- In the event of replacing the plug fuse, use a fuse approved by ASTA to BS 1362, i.e. carrying the ⚡ mark, rating as marked on plug.
- Always replace the fuse cover. Never use plugs with the fuse cover omitted.
- If the available electrical outlet is not suitable for the plug supplied with this equipment, you should contact your authorized Brother Service Center to obtain the correct lead.

XH2177-001

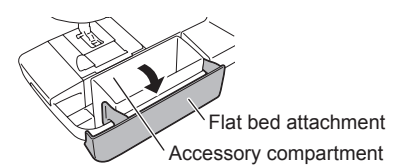
## The main parts



- 1 **Bobbin winder**  
This winds the thread onto the bobbin for use as the lower thread.
- 2 **Stitch length dial**  
Rotate the dial to control the stitch length.
- 3 **Stitch width dial**  
Rotate the dial to control the stitch width.
- 4 **Upper tension-control dial**  
This controls the tension of the upper thread.
- 5 **Bobbin-winding thread guide and pre-tension disc**
- 6 **Thread take-up lever**
- 7 **Thread cutter**  
Pass the threads through the thread cutter to cut them.
- 8 **Needle threader**
- 9 **Quick-set bobbin**
- 10 **Flat bed attachment with accessory compartment**
- 11 **Presser foot**
- 12 **Feed dog position switch**
- 13 **Reverse sewing lever**  
Push this lever to stitch in the reverse direction.
- 14 **Pattern indication window**  
Shows the stitch number to be performed.
- 15 **Pattern selection dial**  
Rotate the dial in either direction to choose the stitch you want.
- 16 **Handwheel**  
Used to manually raise and lower the needle.
- 17 **Buttonhole fine-adjustment screw**
- 18 **Air vent**  
The air vent allows the air surrounding the motor to circulate. Do not cover the air vent while the machine is being used.
- 19 **Main power and sewing light switch**  
You can turn the main power and sewing light switch on and off.
- 20 **Foot controller jack / socket**  
Plug in the foot controller plug and connect the machine to the power supply.
- 21 **Presser foot lever**  
Used to raise and lower the presser foot.
- 22 **Buttonhole lever (1-Step automatic buttonhole)**  
Lower the buttonhole lever when sewing buttonholes.
- 23 **Handle**  
Carry the machine by its handle when transporting.
- 24 **Thread guide**  
This is used when winding the thread onto the bobbin and then threading the machine.
- 25 **Spool pin and spool cap**  
This holds the spool of thread.
- 26 **Foot controller**  
You can use this to control the sewing speed, and to start and stop sewing.

#### ■ Flat bed attachment

The accessories are stored in the storage space in the flat bed attachment.



## Using Your Sewing Machine

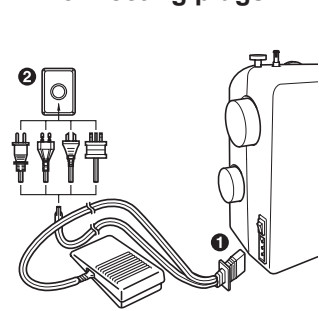
### ⚠ WARNING

- Use only regular household electricity for the power source. Using other power sources may result in fire, electric shock, or damage to the machine.
- Make sure that the plugs on the power cord are firmly inserted into the electrical outlet and the power supply jack on the machine. Otherwise, a fire or electric shock may result.
- Do not insert the plug on the power cord into an electrical outlet that is in poor condition.
- Turn off the main power and remove the plug in the following circumstances:
  - When you are away from the machine
  - After using the machine
  - When the power fails during use
  - When the machine does not operate correctly due to a bad connection or a disconnection
  - During electrical storms

### ⚠ CAUTION

- Use only the power cord included with this machine.
- Do not use extension cords or multi-plug adapters with many other appliances plugged in to them. Fire or electric shock may result.
- Do not touch the plug with wet hands. Electric shock may result.
- When unplugging the machine, always turn off the main power first. Always grasp the plug to remove it from the outlet. Pulling on the cord may damage the cord, or lead to fire or electric shock.
- Do not allow the power cord to be cut, damaged, modified, forcefully bent, pulled, twisted, or bundled. Do not place heavy objects on the cord. Do not subject the cord to heat. These things may damage the cord and cause fire or electric shock. If the cord or plug is damaged, take the machine to your authorized Brother Service Center for repairs before continuing use.
- Unplug the power cord if the machine is not to be used for a long period of time. Otherwise a fire may result.

#### ■ Connecting plugs



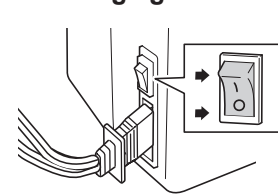
#### ● Note

- If a power outage occurs while the sewing machine is being operated, turn off the main power and unplug the power supply cord. When restarting the sewing machine, follow the necessary procedure to correctly operate the machine.

#### (For U.S.A. only)

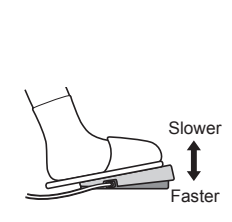
- This appliance has a polarized plug (one blade wider than the other). To reduce the risk of electric shock, this plug is intended to fit in a polarized outlet only one way. If the plug does not fit fully in the outlet, reverse the plug. If it still does not fit, contact a qualified electrician to install the proper outlet. Do not modify the plug in any way.

#### ■ Main power and sewing light switch



Press the power switch toward the "I" mark to turn the main power and sewing light on. Press toward the "O" mark to turn off.

#### ■ Foot controller



Press the foot controller down to start sewing. Take your foot off the foot controller to stop sewing.

### ⚠ CAUTION

- Do not allow pieces of cloth and dust to build up on the foot controller. Doing so could cause a fire or an electric shock.

#### ● Note

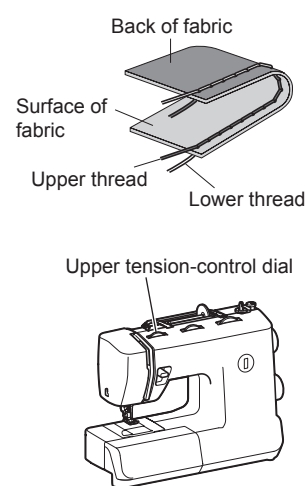
- (For U.S.A. only)
- Foot Controller: Model KD-1902
- This foot controller can be used on the machine with product code 888-X36, 888-X38, 888-X39.
- The product code is mentioned on the machine rating plate.

## Thread tension

The tension of the thread will affect the quality of your stitches. You may need to adjust it when you change fabric or thread. We recommend that you do a test sample on scrap of a fabric before you start to sew.

### ■ Correct tension

Correct tension is important as too much or too little tension will weaken your seams or cause puckers on your fabric.

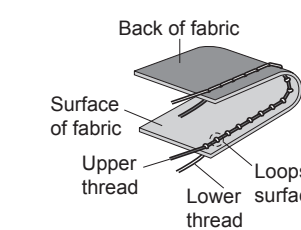


### ■ Upper tension is too tight

Loops will appear on the surface of the fabric.

#### ● Note

- If the bobbin thread was incorrectly threaded, the upper thread may be too tight. In this case, refer to "1 Lower threading" on the back side to rethread the bobbin thread.



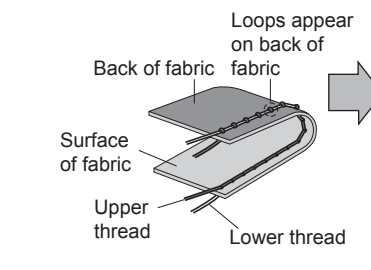
**Solution:** Reduce the tension by turning the upper tension control dial to a lower number.

### ■ Upper tension is too loose

Loops appear on the back of the fabric.

#### ● Note

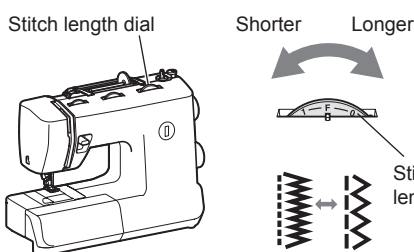
- If the upper thread was incorrectly threaded, the upper thread may be too loose. In this case, refer to "2 Upper threading" on the back side and rethread the upper thread.



**Solution:** Increase the tension by turning the upper tension control dial to a higher number.

## Stitch length dial

Depending on the selected stitch, you may need to adjust the stitch length for best results. The numbers marked on the stitch length dial represent the stitch length in millimeters (mm) (1/25 inch). THE HIGHER THE NUMBER, THE LONGER THE STITCH. With the "0" setting, material is not fed. This is used when sewing a button. The "F"-1" range is for making a satin stitch (closed zigzag stitch), which is used for making buttonholes and decorative stitches. The position needed for making the satin stitch varies according to the material and thread being used. To determine the exact dial position, first test the stitch and length settings on a scrap piece of fabric to observe the feeding of the material.



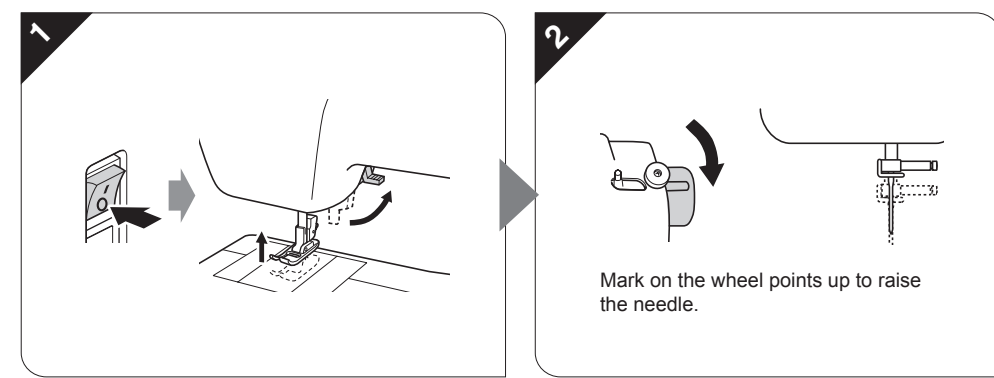
### ⚠ CAUTION

- If the stitches are bunched together, lengthen the stitch length and continue sewing. Do not continue sewing without lengthening the stitch length, otherwise the needle may break and cause injury.

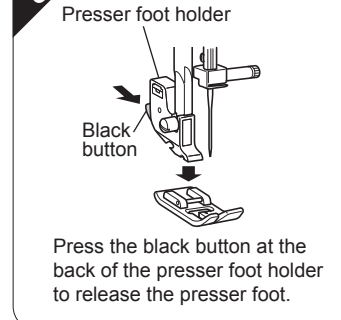
## Changing the presser foot

### ⚠ CAUTION

- Always turn off the machine before you change the presser foot. If you leave the power on and step on the controller, the machine will start and you may be injured.
- Always use the correct presser foot for the stitch pattern you have chosen. If you use the wrong presser foot, the needle may strike the presser foot and bend or break, and may cause injury.
- Only use presser feet that have been designed to be used with this machine. Using any other presser foot may cause accident or injury.

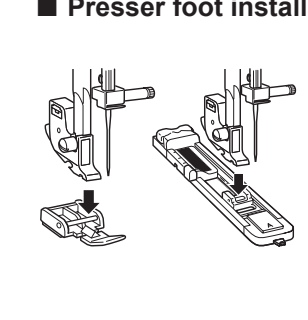
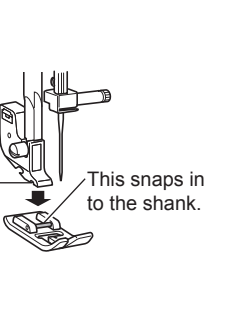
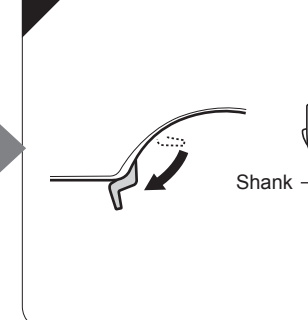


### Presser foot holder



Press the black button at the back of the presser foot holder to release the presser foot.

### Presser foot installation orientation

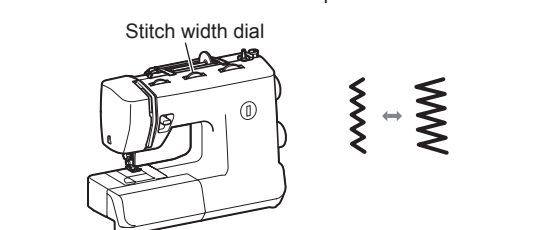


### ⚠ CAUTION

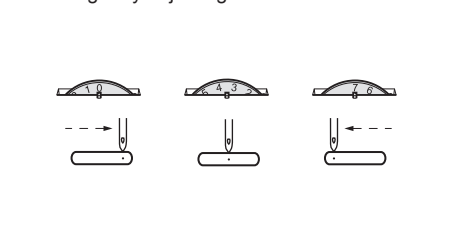
- If the presser foot is not installed with the correct orientation, the needle may strike the presser foot, which may bend or break the needle and cause injury.

## Stitch width dial

Raise the needle by turning the handwheel toward you (counterclockwise) so that the mark on the wheel points up. The numbers marked on the dial represent the stitch width.



When the Straight or Triple Stretch Stitch is selected, the needle position can be changed from left to right by adjusting the stitch width dial.

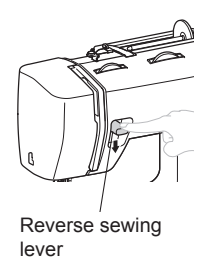


### ⚠ CAUTION

- After adjusting the stitch width, slowly turn the handwheel toward you (counterclockwise) and check that the needle does not touch the presser foot. If the needle hits the presser foot, the needle may bend or break.
- If the stitches are bunched together, increase the stitch length. Continuing to sew with the stitches bunched together may result in the needle bending or breaking.

## Reverse sewing

- To sew in reverse, push the reverse sewing lever in as far as possible and hold it in that position while you lightly push the foot controller.
- To sew forward, release the reverse sewing lever. The machine will then sew forward.
- The length of reverse stitches is fixed at 2 mm (1/16 inch).



Use a piece of fabric and thread that are the same as those used for your project, and check the thread tension and stitch length and width.

## Changing the sewing direction

Stop the machine with the needle in the fabric at the point where you want to change the sewing direction, and then raise the presser foot lever. Using the needle as a pivot, turn the fabric, lower the presser foot lever, and then continue sewing.

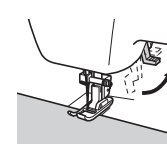


## Sewing thick fabrics

If the fabric does not fit easily under the presser foot, raise the presser foot lever even higher to bring the presser foot to its highest position.

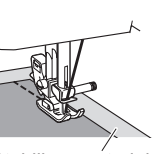
### ⚠ CAUTION

- If fabric more than 6 mm (15/64 inch) thick is sewn or if the fabric is pushed with too much force, the needle may bend or break.



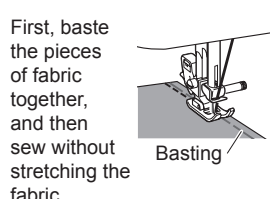
## Sewing thin fabrics

When sewing thin fabrics, the stitching may become misaligned or the fabric may not feed correctly. If this occurs, place thin paper or stabilizer material under the fabric and sew it together with the fabric. When you have finished sewing, tear off any excess paper.



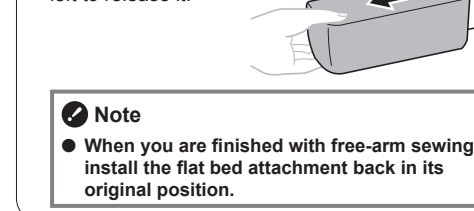
## Sewing stretch fabrics

First, baste the pieces of fabric together, and then sew without stretching the fabric.



## Stitching cylindrical pieces

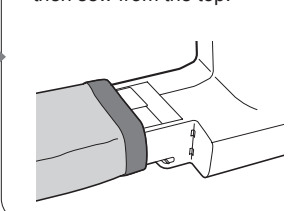
Slide the flat bed attachment to the left to release it.



#### ● Note

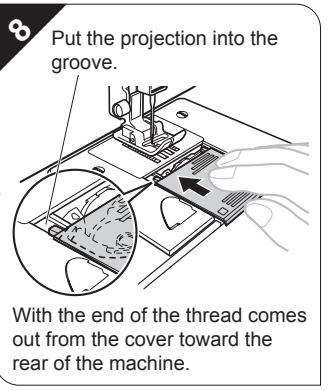
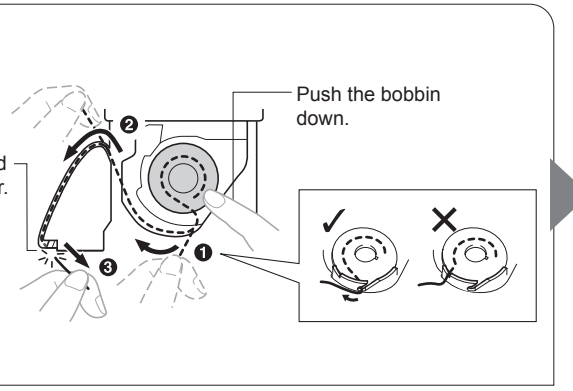
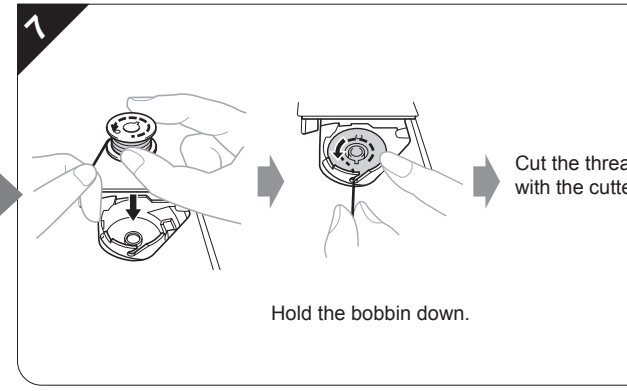
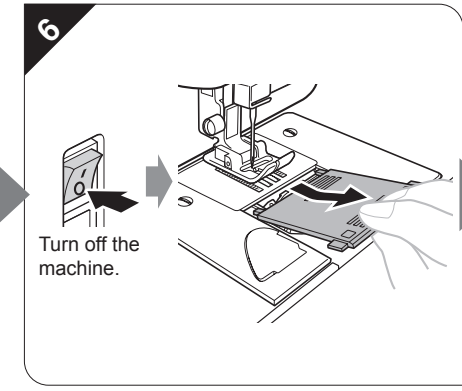
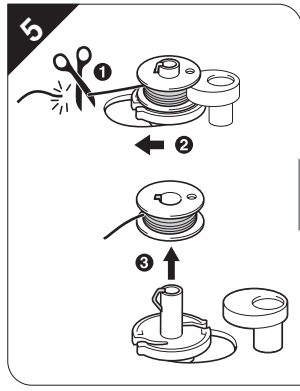
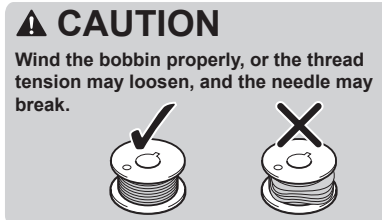
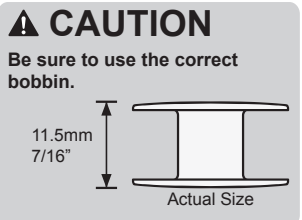
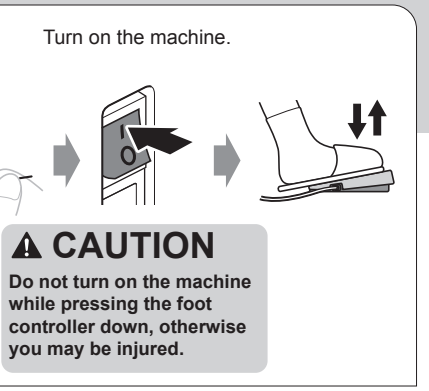
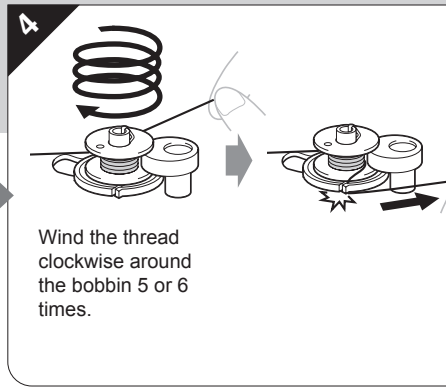
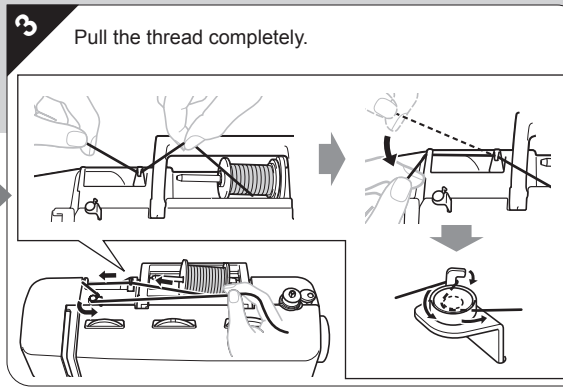
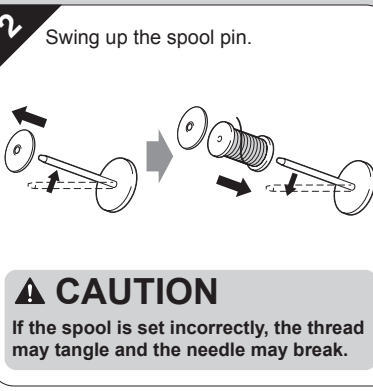
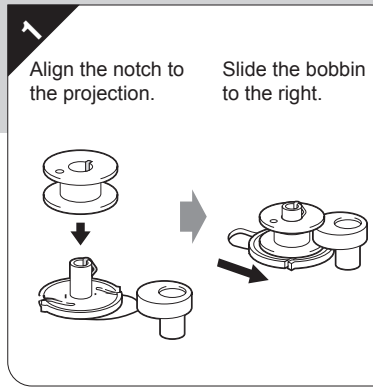
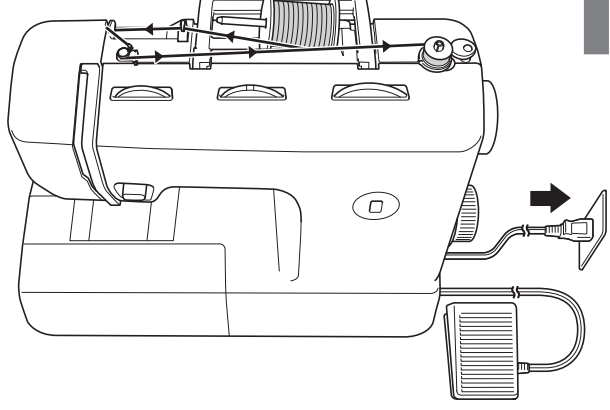
- When you are finished with free-arm sewing, install the flat bed attachment back in its original position.

Slide the part that you wish to sew onto the arm, and then sew from the top.

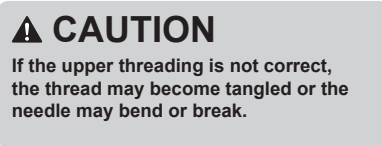
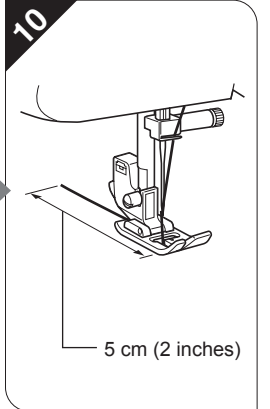
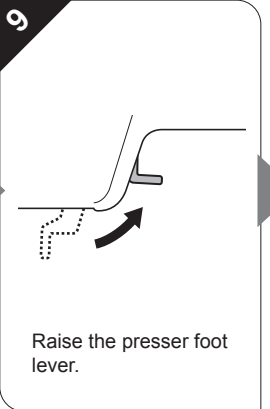
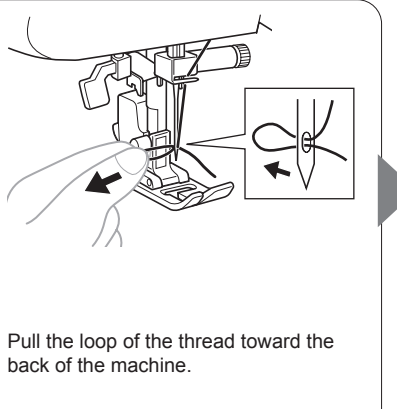
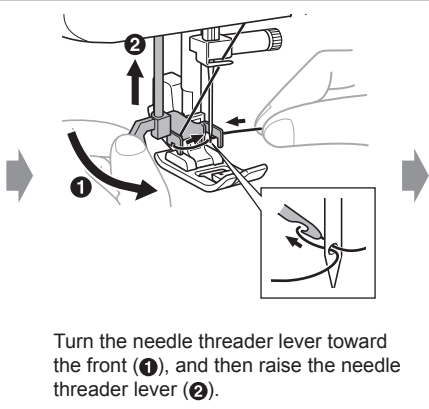
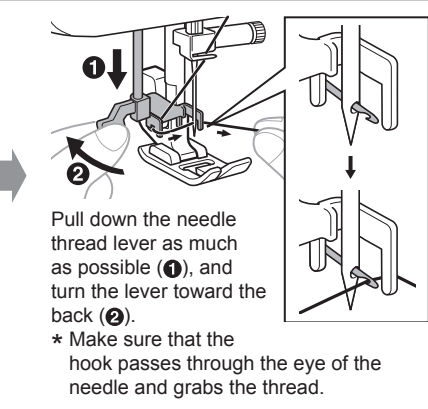
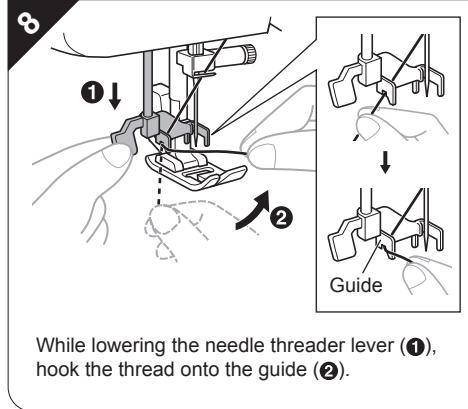
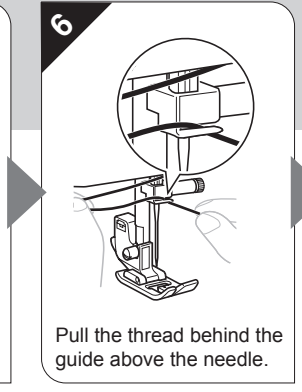
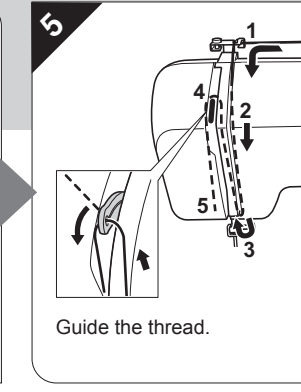
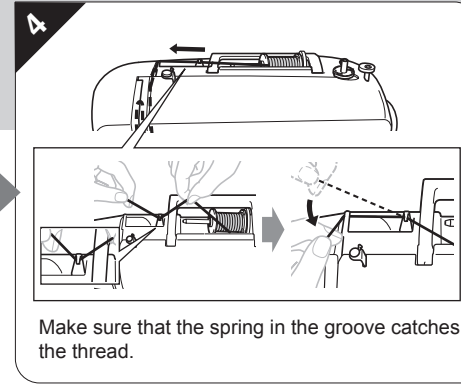
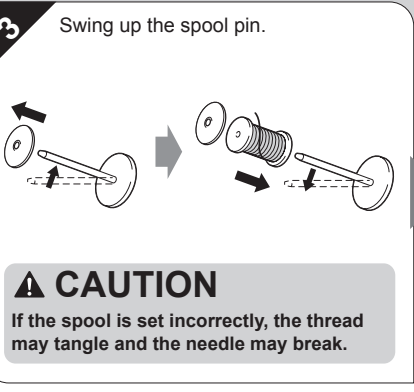
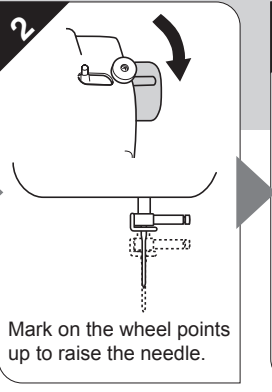
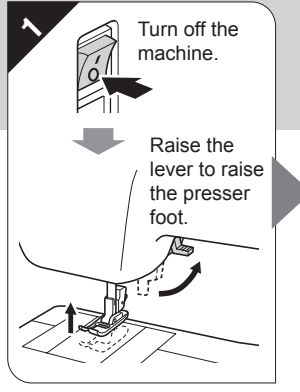
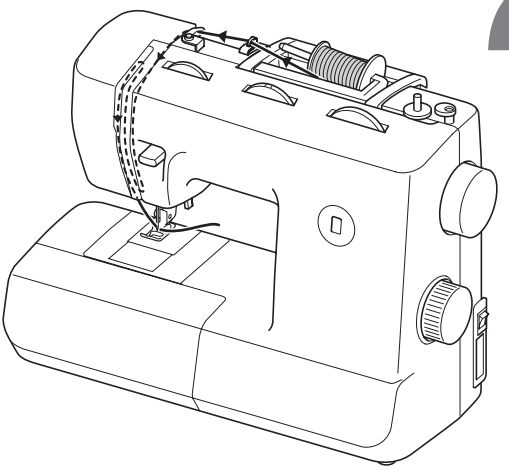




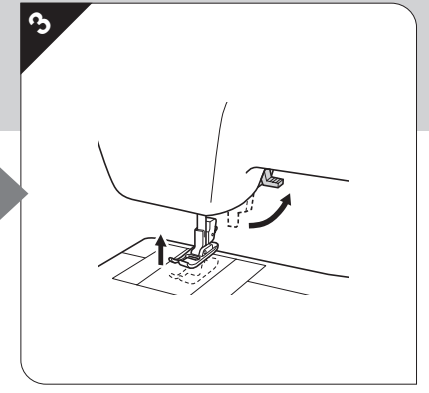
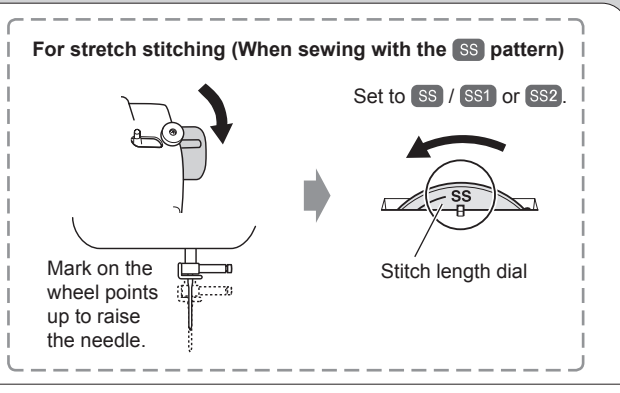
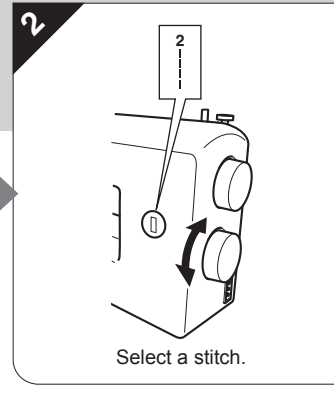
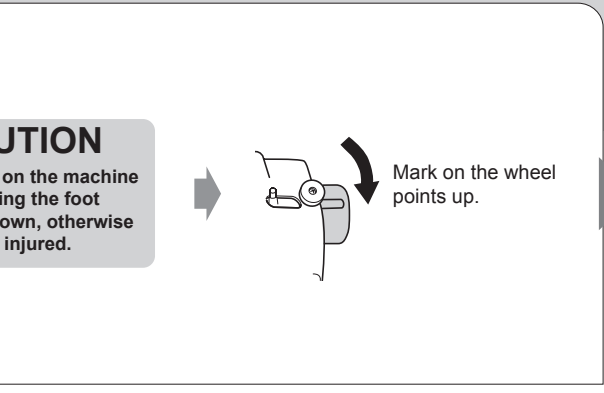
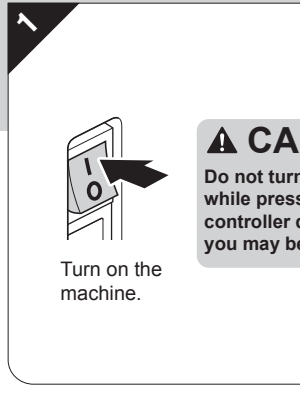
## Lower Threading



## Upper Threading



## Start sewing - Straight Stitch

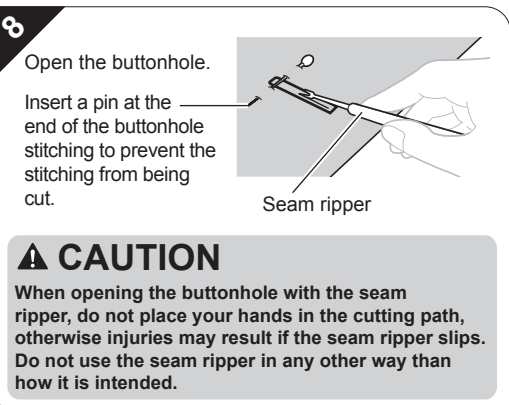
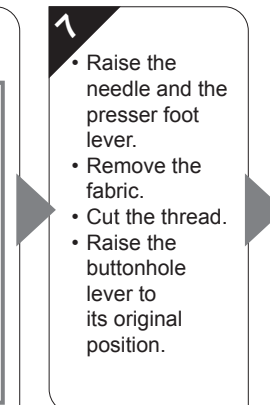
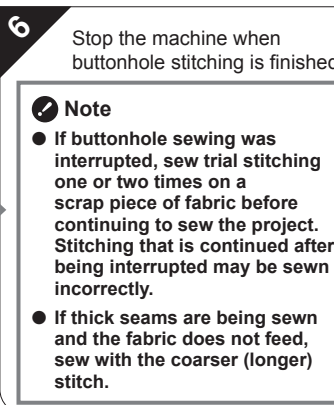
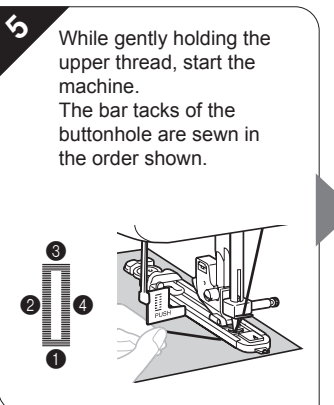
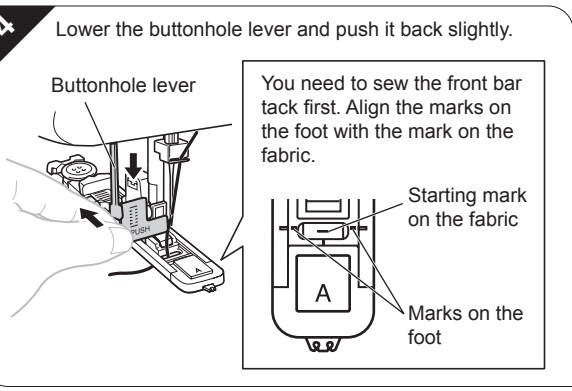
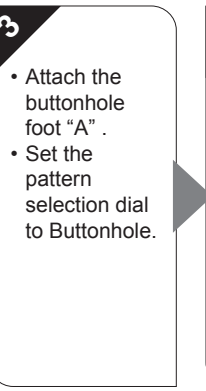
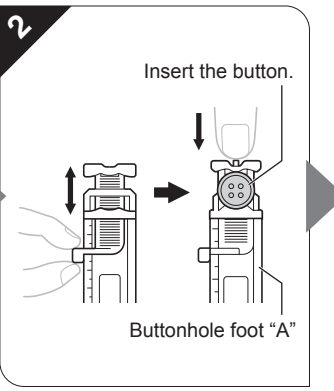
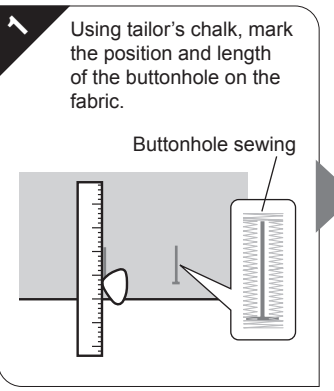


- CAUTION**
- To avoid being injured, watch the needle carefully while you are using the machine. Keep your hands away from moving parts.
  - Do not stretch or pull the fabric during sewing, otherwise the needle may be damaged and you may be injured.
  - Do not use bent or broken needles, otherwise you may be injured.
  - Take care that the needle does not hit basting pins or other objects during sewing. The needle may break and you may be injured.
  - Always use the correct presser foot. If you use the wrong presser foot, the needle may hit the presser foot and bend or break and you may be injured.
  - When you turn the handwheel by hand, always turn it toward you (counterclockwise). Turning it the other way may cause the thread to tangle and damage the needle or fabric, and you may be injured.
  - Do not start sewing without placing the fabric under the presser foot, otherwise the presser foot may be damaged.

## Sewing Buttonholes

- CAUTION**  
Always turn off the machine before replacing the presser foot. Otherwise, injuries may occur if the foot controller is accidentally pressed and the machine starts sewing.

### Making a buttonhole



**■ If the button does not fit in the button guide plate**

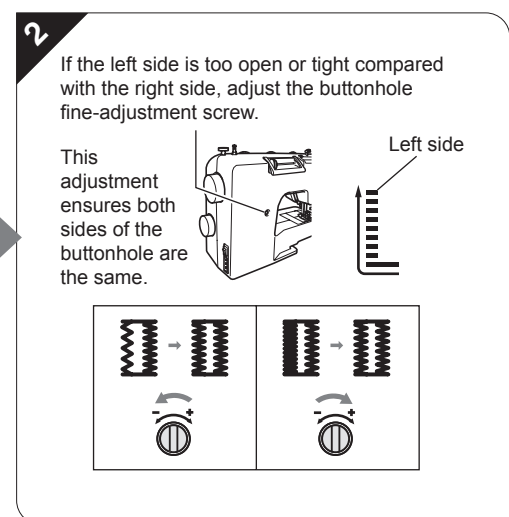
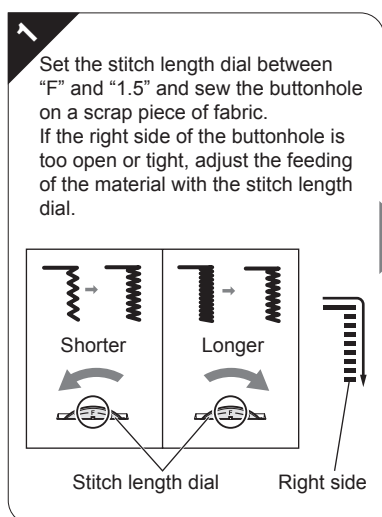
Add together the diameter and thickness of the button, and then set the button guide plate to the calculated length.

Presser foot scale

Length of buttonhole = (Diameter + thickness of button) + 5 mm (3/16 inch)

Example: The button guide plate should be set to 25 mm (1 inch) on the scale.

### Adjusting buttonholes



## Maintenance

### Restrictions on oiling

In order to prevent damaging this machine, it must not be oiled by the user. This machine was manufactured with the necessary amount of oil applied to ensure correct operation, making periodic oiling unnecessary. If problems occur, such as difficulty turning the handwheel or an unusual noise, immediately stop using the machine, and contact your authorized Brother Service Center or the nearest authorized Brother Service Center.

### Precautions on storing the machine

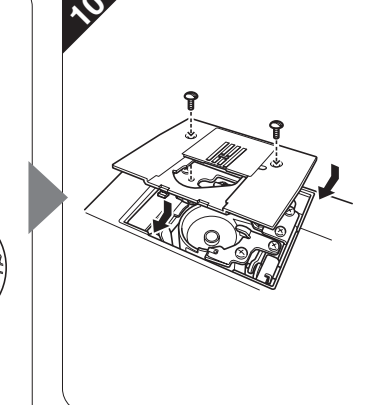
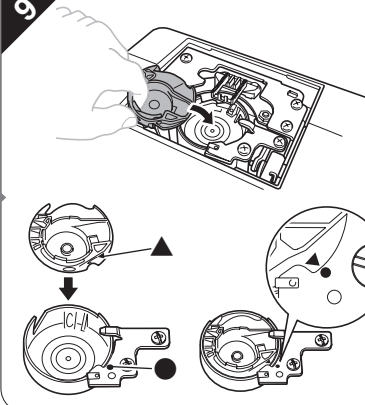
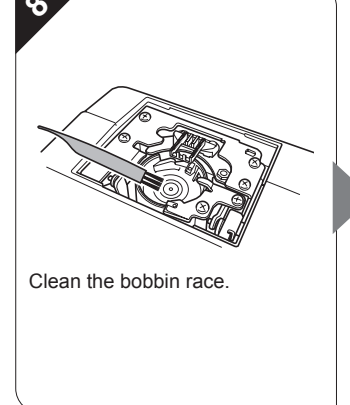
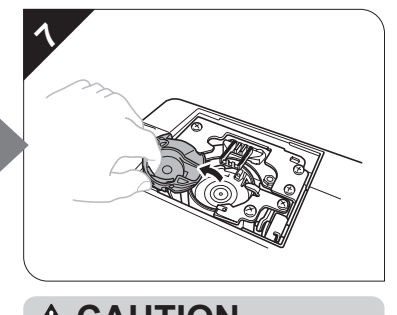
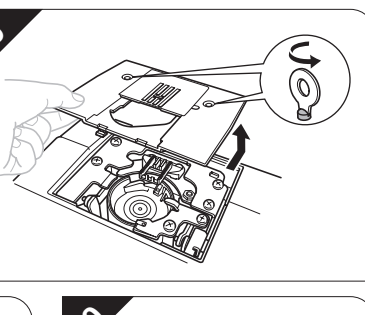
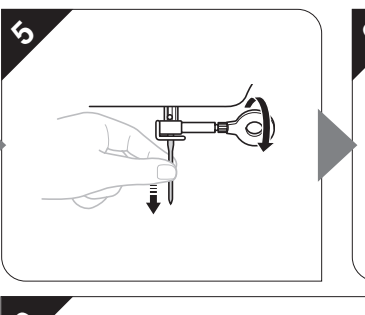
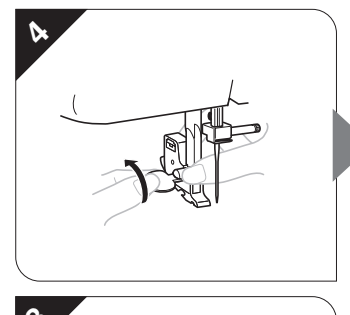
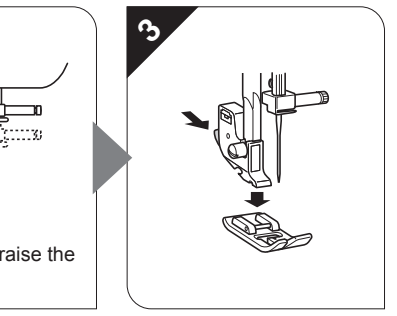
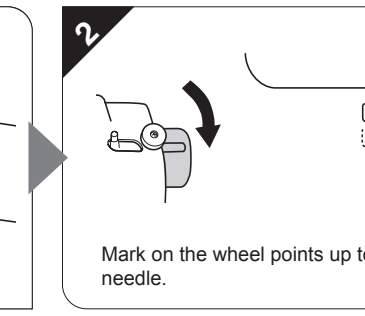
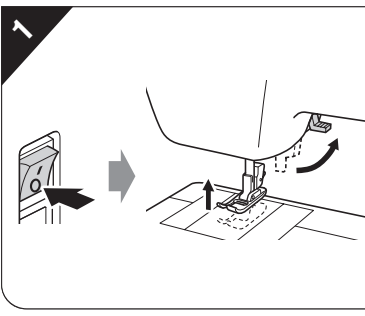
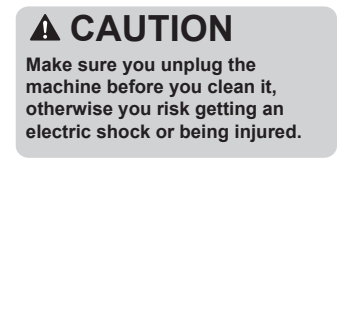
Do not store the machine in any of the locations described below, otherwise damage to the machine may result, for example, rust caused by condensation.

- Exposed to extremely high temperatures
- Exposed to extremely low temperatures
- Exposed to extreme temperature changes
- Exposed to high humidity or steam
- Near a flame, heater or air conditioner
- Outdoors or exposed to direct sunlight
- Exposed to extremely dusty or oily environments

- Note**
- In order to extend the life of this machine, periodically turn it on and use it. Storing this machine for an extended period of time without using it may reduce its efficiency.

### Cleaning

- CAUTION**  
Make sure you unplug the machine before you clean it, otherwise you risk getting an electric shock or being injured.



- CAUTION**
- Never use a bobbin case that is scratched; otherwise the upper thread may become tangled, the needle may break, or sewing performance may suffer. For a new bobbin case, contact your nearest authorized Brother Service Center.
  - Make sure that you fit the bobbin case properly, otherwise the needle may break.