

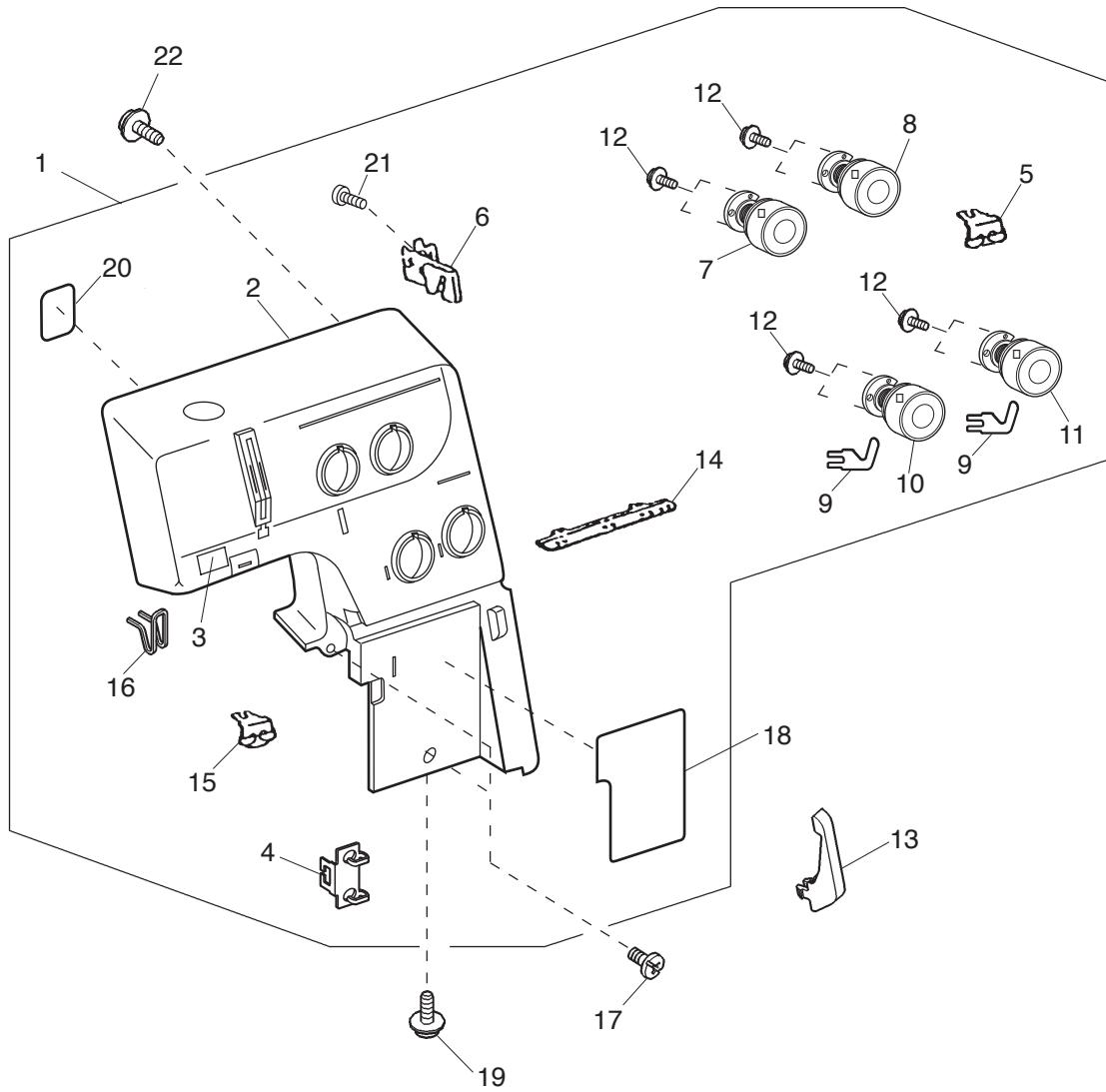
# ***PARTS LIST***

MODEL 8002D

MODEL DM234

**JANOME**

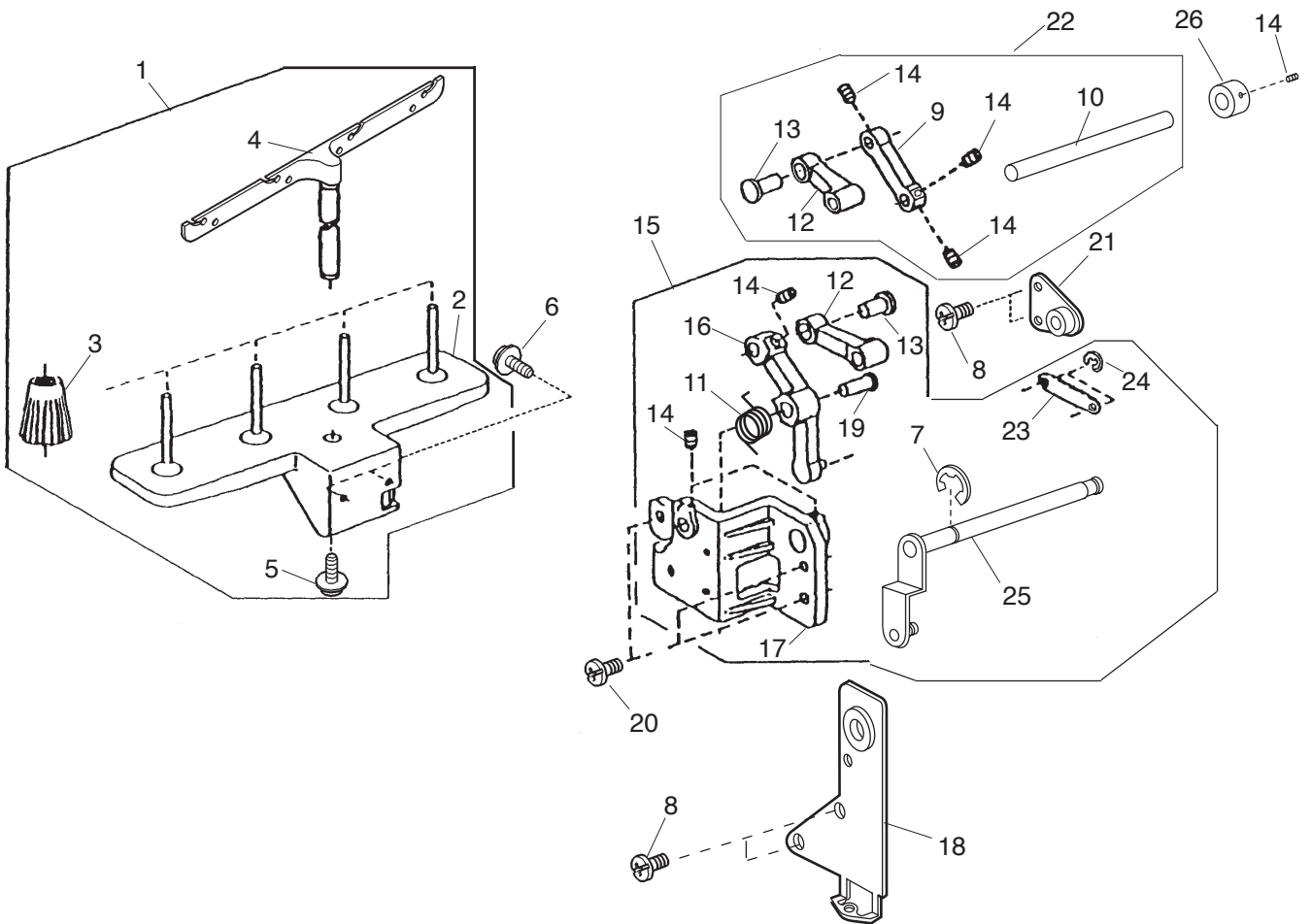
# PARTS LIST



## PARTS LIST

No.	Part No.	Part Name	Remark
1	792624046	Front cover unit (8002D)	
	792624079	Front cover unit (DM234)	
2	792051105	Front cover (8002D)	
	792051404	Front cover (DM234)	
3	888261007	Sticker	
4	792020002	U.looper thread guide	
5	785232007	Looper thread guide	
6	792612007	Check spring cover unit	
7	785552143	L. needle tension unit (8002D)	
	785552165	L. needle tension unit (DM234)	
8	785553133	R. needle tension unit (8002D)	
	785553155	R. needle tension unit (DM234)	
9	792019008	Thread guide	
10	785554190	U. looper tension unit (8002D)	
	785554226	U. looper tension unit (DM234)	
11	785555180	L. looper tension unit (8002D)	
	785555216	L. looper tension unit (DM234)	
12	000114709	TP screw 3x6	
13	787394004	Take-up lever cover	
14	787363004	Thread guide plate	
15	785015002	Needle thread guide 2	
16	787392002	Thread guide	
17	000081016	Setscrew 4x8	
18	792052003	Sticker	
19	000198305	Tapping screw 4x10 (B)	
20	724025006	Sticker	
21	000120203	Tapping screw 3x8 (B)	
22	000161206	Tapping screw 3x10 (B)	

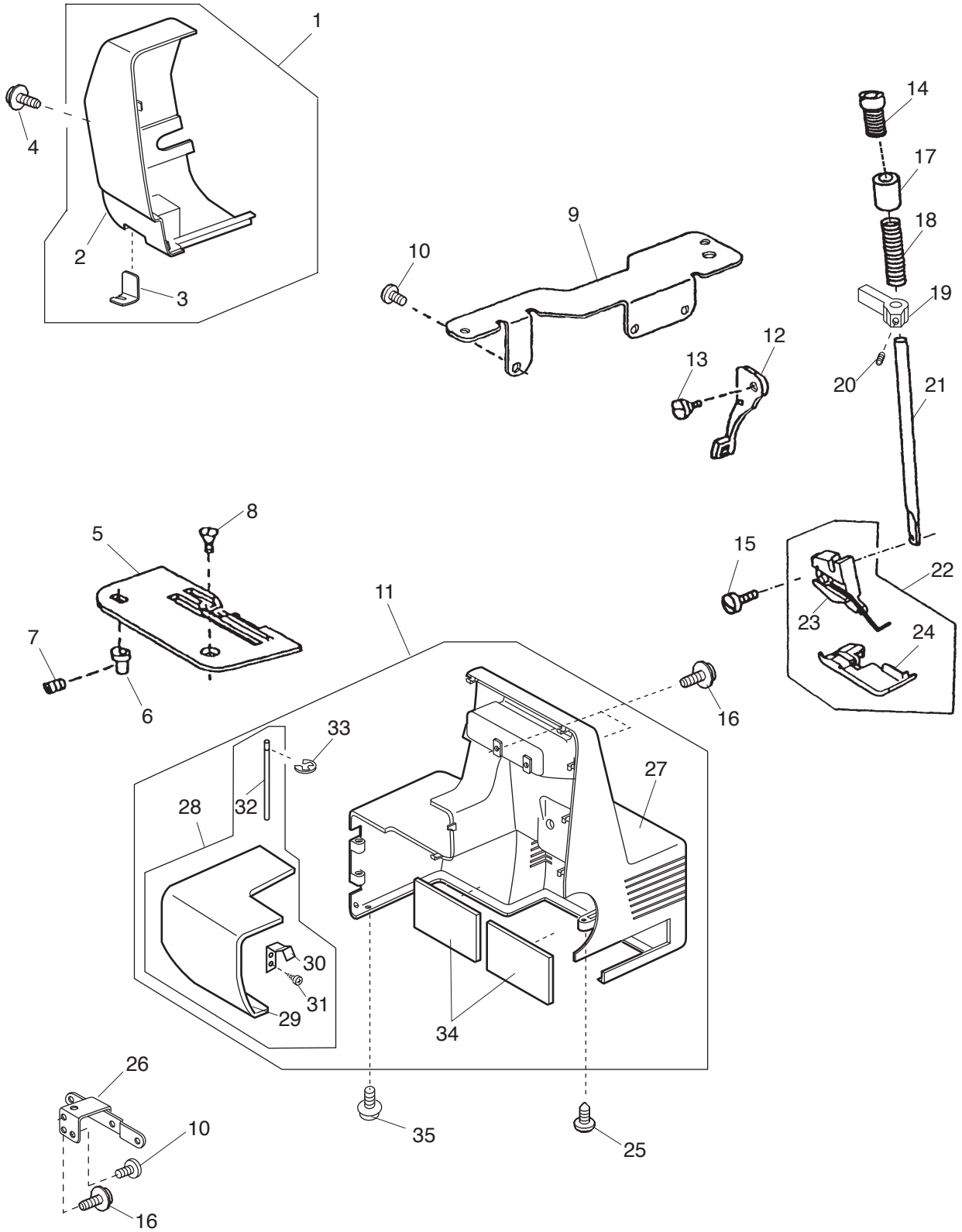
# PARTS LIST



## PARTS LIST

No.	Part No.	Part Name	Remark
1	789606008	Spool stand unit	
2	777011003	Spool stand	
3	784223105	Spool holder	
4	789607009	Thread guide bar unit	
5	000115700	TP screw 4x10	
6	000114802	TP screw 4x12	
7	000001609	Snap ring E-5	
8	000081005	Setscrew 4x8	
9	787197005	Main feed con. arm 2	
10	787198006	Main feed con. shaft	
11	787301004	Spring	
12	787067005	Feed link	
13	787195003	Feed connecting pin	
14	000111201	H. socket screw 4x4	
15	792611006	Feed adjusting base unit	
16	787194002	Sub feed connecting arm 3	
17	787074108	Feed adjusting base	
18	792009005	Main shaft set plate (C)	
19	787076007	Con. arm pin	
20	000103509	Setscrew 4x10	
21	787077008	Con. arm support	
22	787637002	Main feed con. arm unit	
23	787081005	Feed con. arm link	
24	000002105	Snap ring E-3	
25	792034009	S. feed con arm shaft	
26	650136009	Ring	

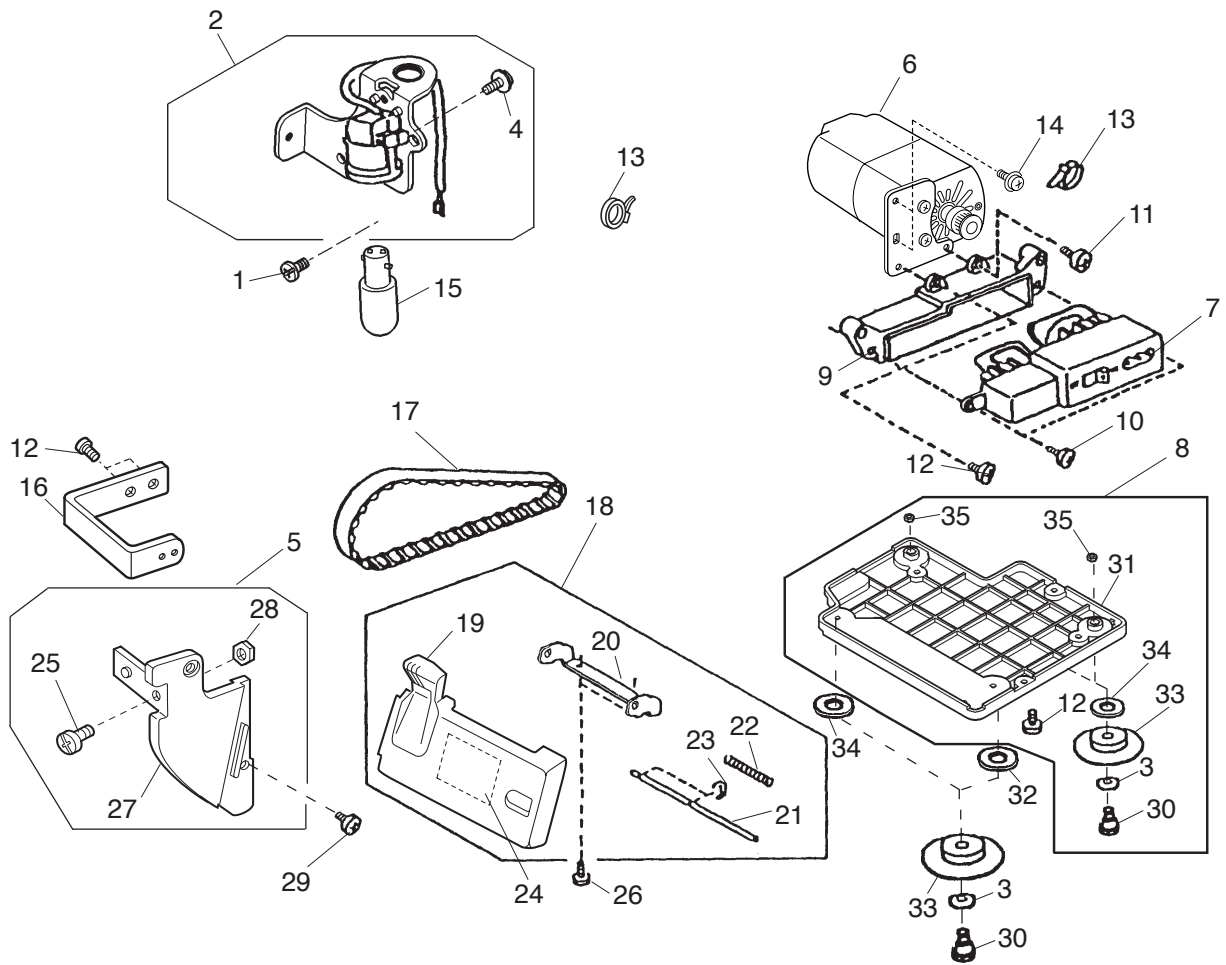
# PARTS LIST



## PARTS LIST

No.	Part No.	Part Name	Remark
1	792623012	Face plate unit	
2	792050001	Face plate	
3	840602006	Thread cutter unit	
4	000115700	TP screw 4x10	
5	788601000	Needle plate unit	
6	789100007	Eccentric pin	
7	000111902	H. socket screw 3x4	
8	681009101	Flat screw	
9	787370004	Handle set plate	
10	000081005	Setscrew 4x8	
11	792615103	Back cover unit (8002D)	
	792615206	Back cover unit (DM234)	
12	650032015	Presser lifter	
13	810431009	Hinge screw	
14	777013005	Pressure adjusting screw	
15	660106001	Setscrew	
16	000115618	TP screw 4x8	
17	777002001	Bushing	
18	787020006	Presser bar spring	
19	789117007	Presser bar bracket	
20	000111304	H. socket screw 5x5	
21	787019002	Presser bar	
22	788501009	Presser foot unit	
23	787541008	Foot holder unit	
24	788502000	Presser foot unit	
25	000198305	Tapping screw 4 x 10 (B)	
26	787294106	Back cover set plate	
27	792022107	Back cover (8002D)	
	792022004	Back cover (DM234)	
28	792608103	Side cover unit	
29	792023005	Side cover	
30	787163002	Side cover spring	
31	000120203	Tapping screw 3x8 (B)	
32	792024006	Side cover shaft	
33	000002105	Snap ring E-3	
34	794110006	Rubber	
35	000115607	TP screw 4x8	

# PARTS LIST

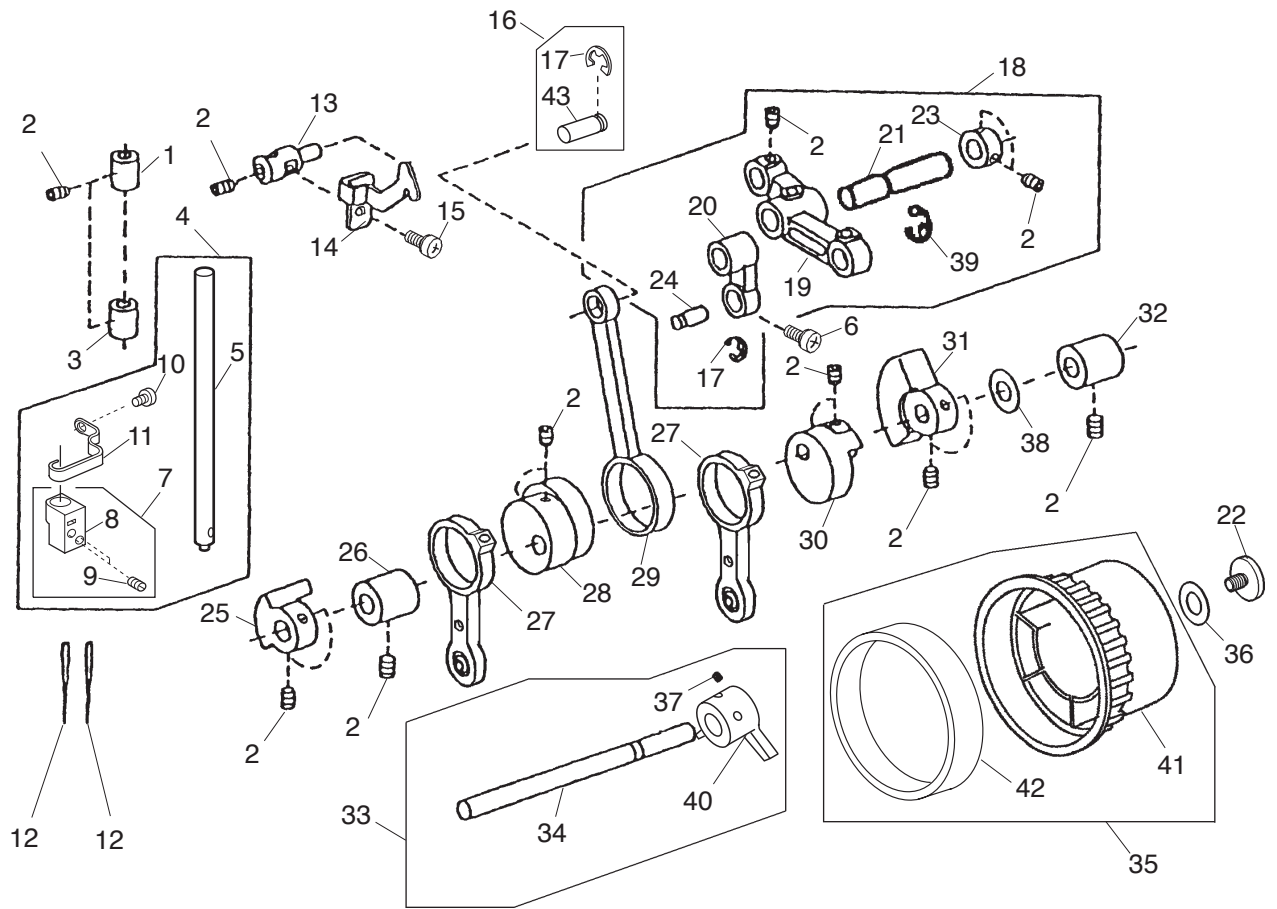




## PARTS LIST

No.	Part No.	Part Name	Remark
1	000101404	Setscrew 4x6	
2	791620108	Lamp socket com. unit	
3	000070300	Washer	
4	000120203	Tapping screw 3x8 (B)	
5	792610005	Looper cover guide unit	
6	792618003	Motor unit	
7	777502109	Plug con. rec. unit	
8	789610049	Base plate unit	
9	784128028	Plug. con. receptacle cover	
10	000121905	Tapping screw 4x12 (B)	
11	000104108	Setscrew 4x20	
12	000081005	Setscrew 4x8	
13	000053008	Binder	
14	000115504	TP screw 5x10	
15	000009009	Lamp 240V 15W BA15D	
16	787153009	L. cover guide supporter	
17	784124002	Timing belt	
18	789609089	Looper cover unit (8002D)	
	792609126	Looper cover unit (DM234)	
19	792025074	Looper cover (8002D)	
	792025111	Looper cover (DM234)	
20	792026008	Looper cover supporter	
21	792027009	Looper cover shaft	
22	792028000	Looper cover spring	
23	000002105	Snap ring E-3	
24	789028000	Sticker	
25	000103510	Setscrew 4x10	
26	000115205	TP screw 4x6	
27	792029001	Looper cover guide	
28	000062402	Nut 4-2-7	
29	000078320	Setscrew 3x6	
30	784169009	Hinge screw	
31	789034009	Base plate	
32	785260004	Washer	
33	784135006	Rubber cushion	
34	787204006	Washer (2)	
35	000061205	Nut 4-3-7	

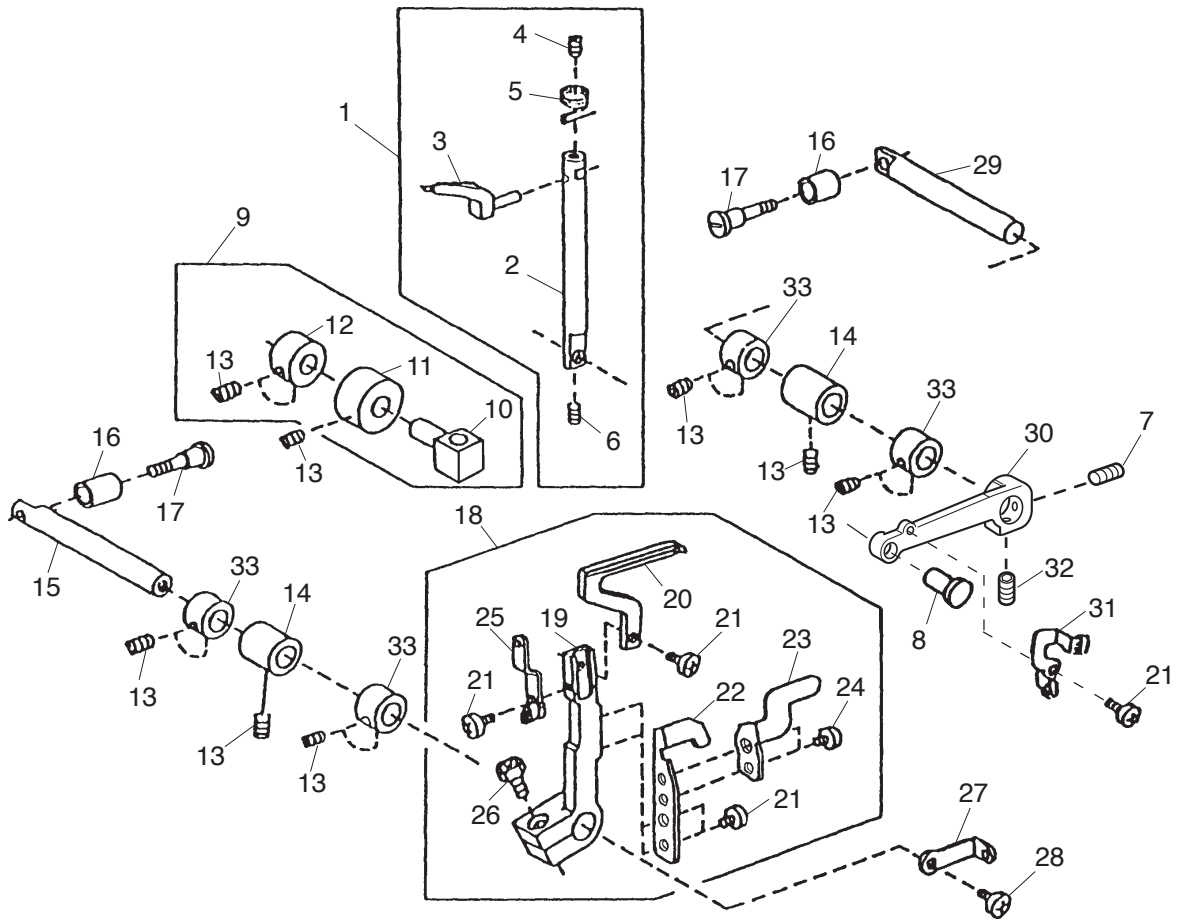
# PARTS LIST



## PARTS LIST

No.	Part No.	Part Name	Remark
1	784027004	Needle bar upper bushing	
2	000011201	H. socket screw 4x4	
3	784028005	Needle bar lower bushing	
4	792601003	Needle bar unit	
5	792001007	Needle bar	
6	000101703	Setscrew 4x12	
7	792501002	Needle clamp unit	
8	792002008	Needle clamp	
9	888264000	Needle clamp screw	
10	000078320	Setscrew 3x6	
11	792003009	Needle bar thread guide	
12	784157015	Needle HAx1 SP-14	
13	784024001	Needle bar bracket	
14	787348003	Take-up lever	
15	000078320	Setscrew 3x6	
16	793606001	Needle bar balancer pin unit	
17	000001609	Snap ring E-5	
18	789612007	Needle bar crank unit	
19	789104001	Needle bar crank	
20	789007003	Needle bar link	
21	789008004	Needle bar crank shaft	
22	618070004	Screw	
23	624245001	Ring	
24	784022009	Link pin	
25	792037002	Left balance weight (left)	
26	784009000	Bushing	
27	792951001	Looper cam ring unit	
28	787007100	Needle bar cam	
29	784011005	Needle bar crank rod	
30	787004107	Upper looper cam	
31	787176101	Balance weight (right)	
32	784310007	Bushing	
33	792619004	Main shaft unit	
34	789001007	Main shaft	
35	793607002	Handwheel unit	
36	556047007	Washer	
37	000111304	H. socket screw 5x5	
38	000038605	Washer 10x0.5	
39	000002909	Snap ring E-7	
40	792041009	Balance weight	
41	784019508	Handwheel	
42	793012004	Rubber sheet	
43	793013005	Needle bar balancer pin	

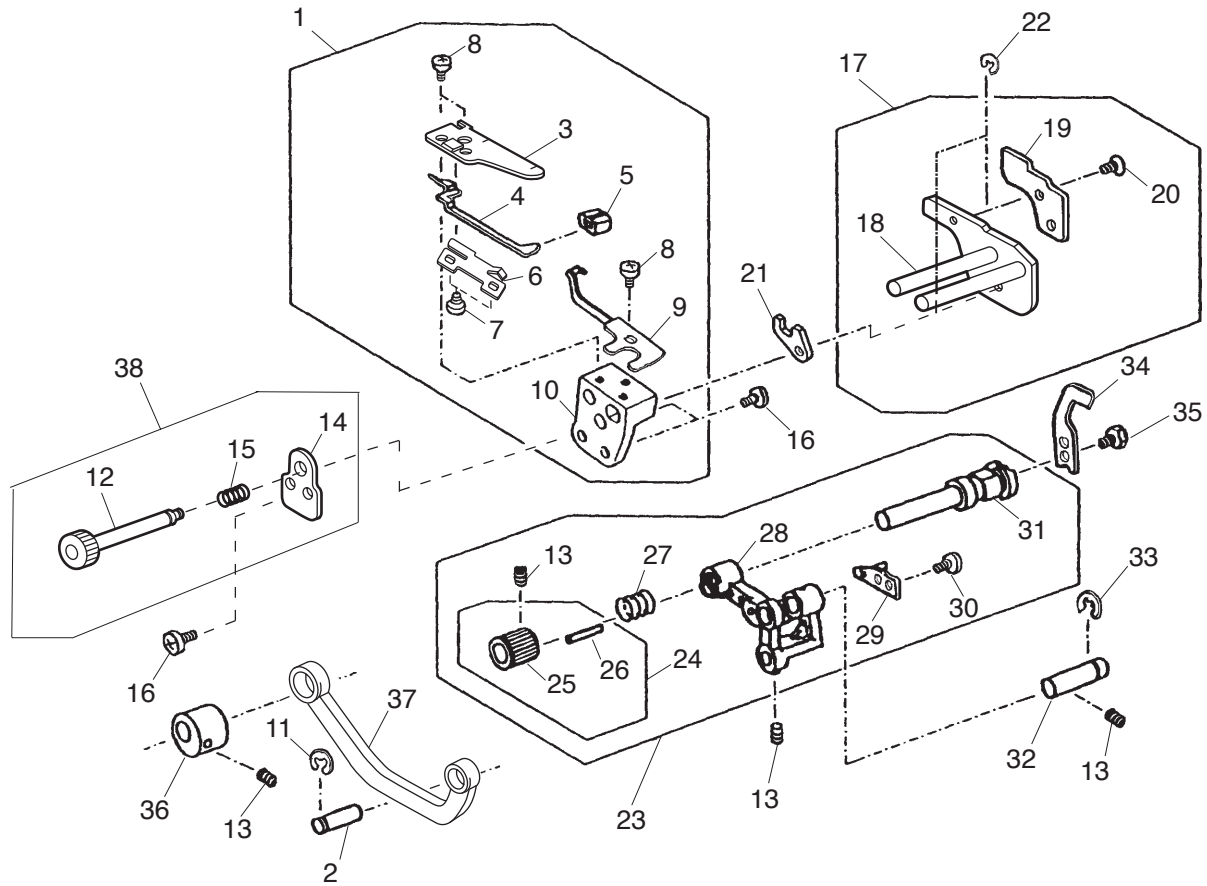
# PARTS LIST



## PARTS LIST

No.	Part No.	Part Name	Remark
1	787618007	Upper looper shaft unit	
2	787111005	Upper looper shaft	
3	784076019	Upper looper	
4	000112501	H. socket screw 4x4	
5	784077009	U. looper thread guide (3)	
6	000177205	H. socket screw 3x6	
7	000111304	H. socket screw 5x5	
8	789116006	Upper looper pin	
9	792614009	U. looper shaft guide unit	
10	792038003	U. looper shaft guide	
11	792039004	Looper crank shaft metal	
12	787106007	Ring	
13	000111201	H. socket screw 4x4	
14	787104005	Bushing	
15	787116000	L. looper crank shaft	
16	787107101	Crank spacer	
17	787108009	Crank setscrew	
18	785610036	Lower looper unit	
19	785024004	L. looper base (2)	
20	784083606	Lower looper	
21	000078320	Setscrew 3x6	
22	787383000	Rear needle guard	
23	785023003	Front needle guard	
24	000099006	H. socket screw 3x4	
25	784085206	L. looper thread guide (3)	
26	000138008	H. socket screw 4x16	
27	785010203	L. looper thread guide	
28	000103004	Setscrew 3.5x6	
29	787105006	U. looper crank shaft	
30	789112002	U. looper waving arm	
31	788038000	Looper thread guide (L2)	
32	000110107	H. socket screw 5x5	
33	792048006	Looper shaft ring	

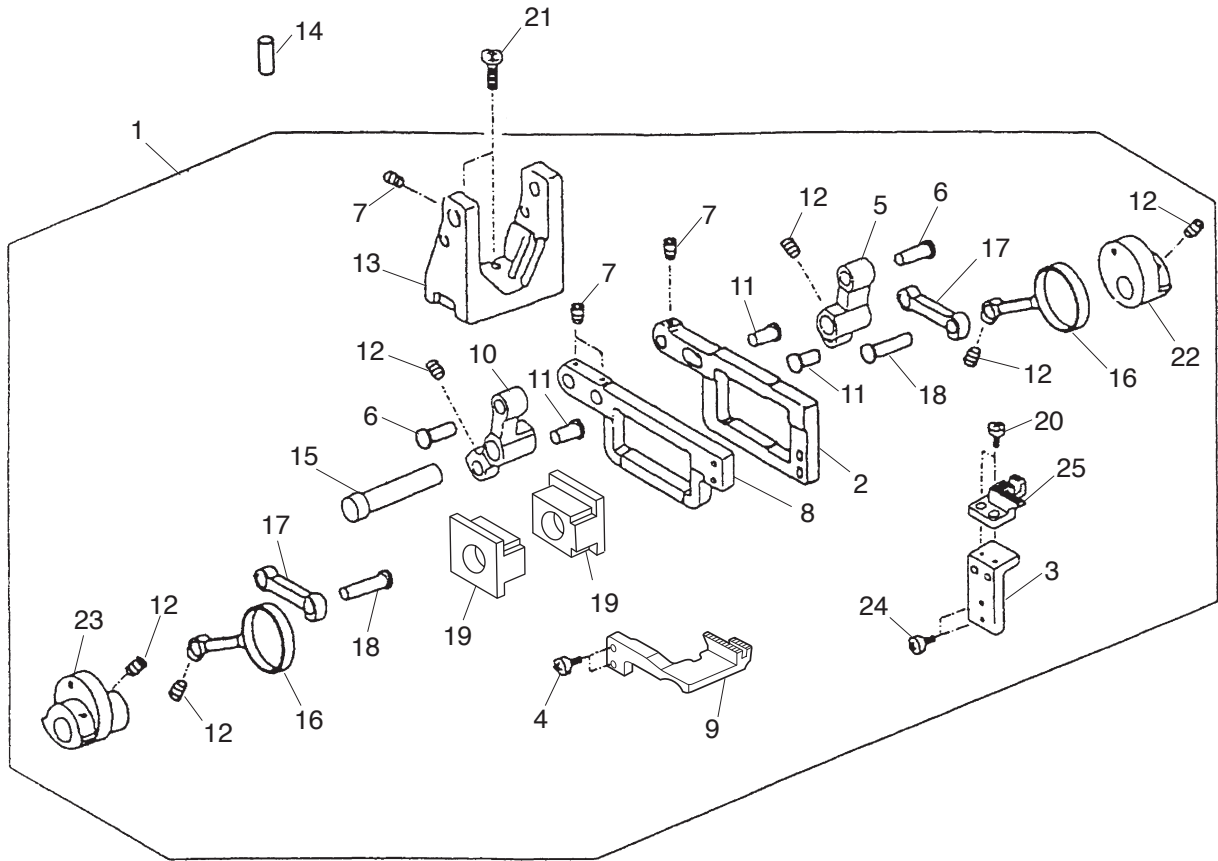
# PARTS LIST



## PARTS LIST

No.	Part No.	Part Name	Remark
1	792613008	Chaining finger bracket unit	
2	787012005	Pin	
3	789106003	Chaining finger set plate	
4	788017003	Chaining finger	
5	787041003	Needle plate setting knob	
6	788018004	Chaining finger spring	
7	000074603	Setscrew 2x4	
8	000078320	Setscrew 3x6	
9	788019005	Fixed needle guard	
10	788015001	Chaining finger bracket	
11	000001609	Snap ring E-5	
12	792007003	Lower knife guide shaft	
13	000111201	H. socket screw 4x4	
14	787046008	Guide plate	
15	787048000	Spring	
16	000081005	Setscrew 4x8	
17	792603005	Lower knife unit	
18	792005001	Lower knife set plate	
19	788013009	Lower knife	
20	000102221	Setscrew 4x6	
21	788021000	Nut	
22	000001207	Snap ring E-2.5	
23	787635000	Upper knife drive arm unit	
24	784607004	Upper knife knob unit	
25	784044007	Upper knife knob	
26	000003601	Spring pin 2x14	
27	784043006	Spring	
28	787033002	Upper knife drive arm	
29	784041004	Upper knife guide	
30	810220003	Setscrew 4x6.5	
31	784042005	Upper knife supporter	
32	787022008	Pin	
33	000002909	Snap ring E-7	
34	788127007	Upper knife	
35	624303008	H. bolt 4x6	
36	788008001	Upper knife drive cam	
37	789009005	Upper knife connecting rod	
38	792622000	Lower knife guide shaft unit	

# PARTS LIST

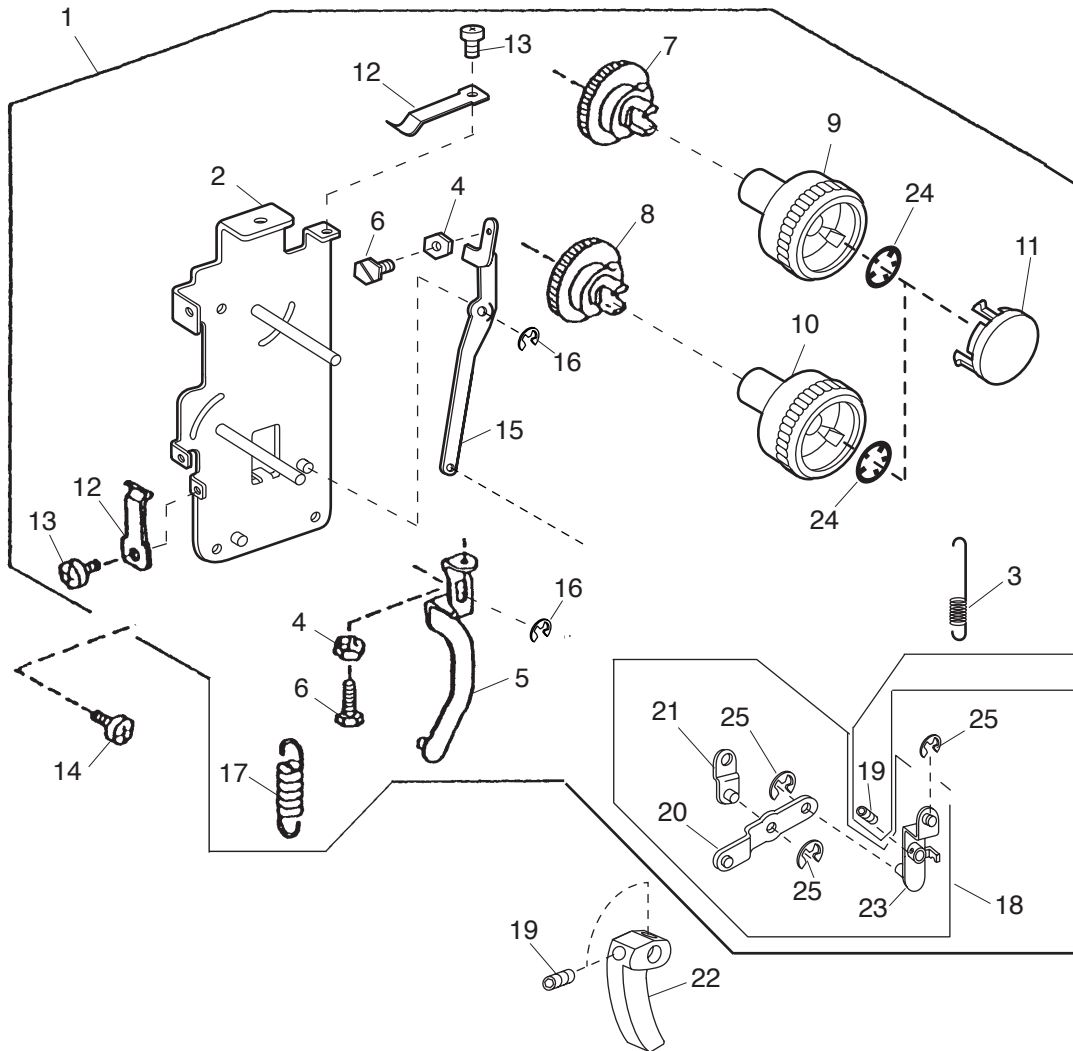




## PARTS LIST

No.	Part No.	Part Name	Remark
1	792604006	Feed bar unit	
2	788022001	Main feed bar	
3	788023002	Main feed dog bracket	
4	000104201	Setscrew 3.5x10	
5	787054009	Main feed bar drive arm	
6	787055000	Pin	
7	000111902	H. socket screw 3x4	
8	788024003	Sub feed bar	
9	789018007	Sub feed dog	
10	787212007	Sub feed drive arm	
11	787059004	Pin	
12	000111201	H. socket screw 4x4	
13	787305008	Feed bar base	
14	000005304	Pin	
15	787306009	Feed driving arm pin	
16	787065003	Feed bar link	
17	787066004	Feed rocking link	
18	787068006	Pin	
19	792008004	Block	
20	000066705	Setscrew 3x8	
21	000201405	TP screw 4x16	
22	787072003	Main feed drive cam	
23	787073004	Sub feed drive cam	
24	000068811	Setscrew 3.5x10	
25	788027006	Main feed dog	

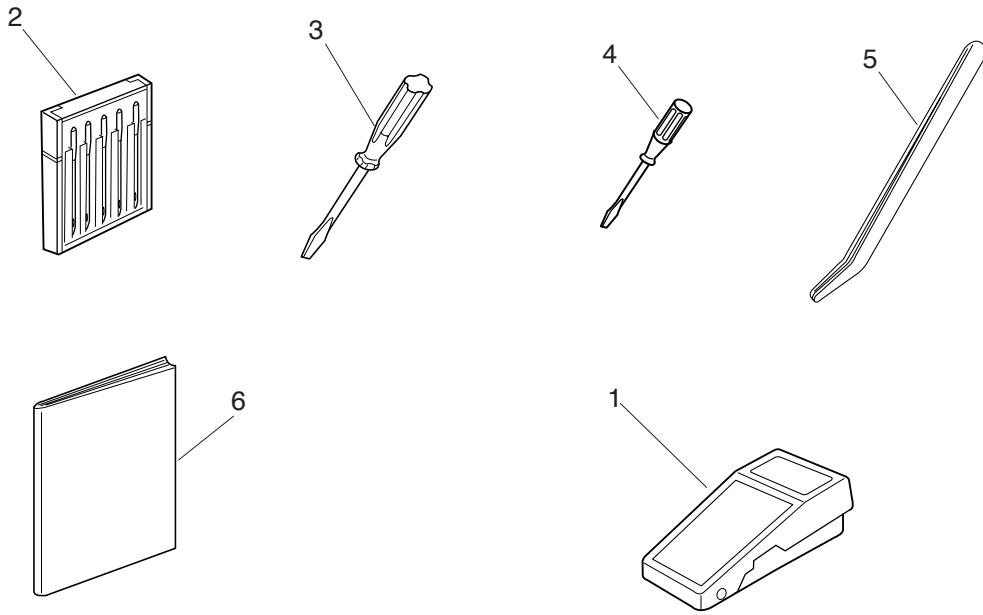
# PARTS LIST



## PARTS LIST

No.	Part No.	Part Name	Remark
1	792606008	Feed adjuster unit	
2	792012001	Set plate	
3	792011000	Spring	
4	000160102	Adjustable nut	
5	792014003	Differential rod	
6	785224006	Adjustable screw	
7	792015004	S. length adj. cam	
8	788036008	Dif. adj. cam	
9	792016108	S. length dial	
10	792016153	Dif. dial	
11	787262301	Dial cap	
12	787263003	Spring	
13	000081119	Setscrew 4x6	
14	000081005	Setscrew 4x8	
15	792013002	Feed rod	
16	000001609	Snap ring E-5	
17	787259006	Spring	
18	792605007	M. feed con. arm unit	
19	000111201	H. socket screw 4x4	
20	787266006	Feed con. plate	
21	788031003	Dif. transfer arm	
22	788032107	Sub feed con. arm	
23	792040008	M. feed con. arm	
24	000013800	Snap ring CS-6	
25	000002105	Snap ring E-3	

# PARTS LIST



# PARTS LIST

No.	Part No.	Part Name	Remark
1	C - 1028	Speed controller	
2	784860100	Needle set	
3	784810002	Screwdriver (large)	
4	792030005	Screwdriver (small)	
5	624801001	Tweezer	
6	792800196	Instruction book (8002D)	
	792800244	Instruction book (DM234)	