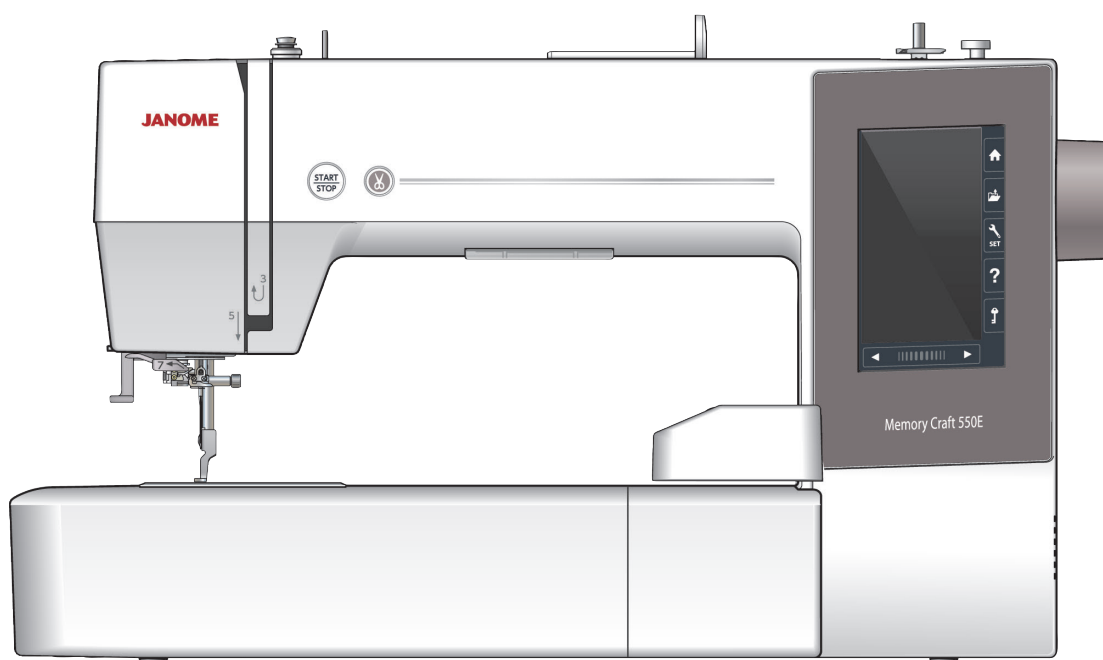


# Instruction Book





# IMPORTANT SAFETY INSTRUCTIONS

When using an electrical appliance, basic safety precautions should always be followed, including the following:

This sewing machine is designed and manufactured for household use only.

Read all instructions before using this sewing machine.

**DANGER** — To reduce the risk of electric shock:

1. An appliance should never be left unattended when plugged in. Always unplug this sewing machine from the electric outlet immediately after using and before cleaning.

**WARNING** — To reduce the risk of burns, fire, electric shock, or injury to persons:

1. Do not allow to be used as a toy. Close attention is necessary when this sewing machine is used by or near children.
2. Use this appliance only for its intended use as described in this owner's manual. Use only attachments recommended by the manufacturer as contained in this owner's manual.
3. Never operate this sewing machine if it has a damaged cord or plug, if it is not working properly, if it has been dropped or damaged, or dropped into water. Return this sewing machine to the nearest authorized dealer or service center for examination, repair, electrical or mechanical adjustment.
4. Never operate the appliance with any air opening blocked. Keep ventilation openings of this sewing machine and foot controller free from accumulation of lint, dust and loose cloth.
5. Never drop or insert any object into any opening.
6. Do not use outdoors.
7. Do not operate where aerosol (spray) products are being used or where oxygen is being administered.
8. To disconnect, turn all controls to the off ("O") position, then remove plug from outlet.
9. Do not unplug by pulling on cord. To unplug, grasp the plug, not the cord.
10. Keep fingers away from all moving parts. Special care is required around the sewing machine needle and/or cutting blade.
11. Always use the proper needle plate. The wrong plate can cause the needle to break.
12. Do not use bent needles.
13. Do not pull or push fabric while stitching. It may deflect the needle causing it to break.
14. Switch this sewing machine off ("O") when making any adjustment in the needle area, such as threading the needle, changing the needle, threading the bobbin or changing the presser foot, and the like.
15. Always unplug this sewing machine from the electrical outlet when removing covers, lubricating, or when making any other adjustments mentioned in this owner's manual.

## SAVE THESE INSTRUCTIONS

**For Europe only:**

This appliance can be used by children aged from 8 years and above and persons with reduced physical, sensory or mental capabilities or lack of experience and knowledge if they have been given supervision or instruction concerning use of the appliance in a safe way and understand the hazards involved. Children shall not play with the appliance. Cleaning and user maintenance shall not be made by children without supervision.

**For outside Europe (except U.S.A and Canada):**

This appliance is not intended for use by persons (including children) with reduced physical, sensory or mental capabilities, or lack of experience and knowledge, unless they have been given supervision or instruction concerning use of the appliance by a person responsible for their safety. Children should be supervised to ensure that they do not play with the appliance.



Please note that on disposal, this product must be safely recycled in accordance with relevant National legislation relating to electrical/electronic products. If in doubt please contact your retailer for guidance. (European Union only)

# TABLE OF CONTENTS

## GETTING READY TO SEW

Names of Parts.....	3
Standard Accessories.....	4-5
Extra Wide Table .....	6
Anti-slipping sticker (for Embroidery hoop RE36b).....	6
Connecting the Power Supply .....	7
Machine Operating Buttons .....	7
Raising and Lowering the Presser Foot .....	8
Common Keys.....	8
Setting the Spool of Thread.....	9
Extra spool pin.....	9
Winding the Bobbin .....	9-11
Removing the bobbin .....	9
Winding the bobbin.....	10
Inserting the bobbin.....	11
Threading the Machine.....	12
Built-in Needle Threader.....	13
Replacing Needles .....	14
Fabric and Needle Chart .....	14
On-screen Help .....	15
Removing and Attaching the Embroidery Foot.....	16
Bobbin Holder for Embroidery (high tension) .....	17
Embroidery Hoops.....	17
Stabilizers.....	18
Types of the stabilizers.....	18
Setting the Fabric in an Embroidery Hoop.....	19-21
When using hoop SQ14b, SQ20b or hoop RE20b.....	19
When using hoop RE36b .....	20-21
Attaching the Embroidery Hoop to the Machine.....	22
Thread Holder.....	23
Selecting Built-in Embroidery Designs .....	23-24
Design category .....	23
Selecting the design by hoop size.....	24
Monogramming.....	24
Function Keys.....	25
Programming a Monogram.....	26-27
Color change .....	26
Monogram placement.....	26
2-Letter monogram .....	27
Editing a Monogram .....	28
Ready to Sew Window .....	29-34
Function keys .....	29
Pattern information .....	29
Stitch back/forward keys .....	30
Jump key .....	30
Cross mark .....	30
Color section key .....	30
Trace key.....	31
Thread color/Jog key.....	31
Fine position/angle adjustment key .....	32
Rotating a design .....	32
Moving a design .....	32
Color list key.....	33
Adjust key.....	33
Auto thread tension level.....	33
Cutting the tails of jump threads.....	33
Hoop back key.....	34
Starting to Sew Embroidery.....	35

Editing Mode.....	36-46
Selecting a hoop size .....	36
Opening the embroidery designs .....	36
Editing tool bar information.....	37
Selecting a pattern .....	37
Moving a pattern.....	37
Duplicating a pattern .....	38
Deleting a pattern .....	38
Resizing a pattern .....	38
Rotating a pattern.....	39
Flipping a pattern.....	39
Monogramming in an arc.....	40
Grouping patterns.....	41
Customizing the display colors.....	42
Color grouping.....	43
Sewing order .....	44
Center positioning .....	44
Creating a square frame.....	45
Single color sewing .....	45
Zooming in the editing window .....	46
Pantry Designs for Applique .....	47-48
Alternative method .....	48
Celebration Designs .....	49
Bracelet Designs .....	50
Stuffed Doll Designs.....	50-51
Applique.....	52-53

## CUSTOMIZING MACHINE SETTINGS

Machine Setting Mode.....	54
Registering the custom settings .....	54
Common Setting Mode.....	55-57

## CUSTOMIZING EMBROIDERY MODE SETTINGS

Embroidery Mode Settings .....	57-60
Language Selection Mode.....	60
Saving and Opening a File .....	61-63
Creating a new folder .....	61
Deleting a file or folder .....	62
Opening a file .....	62
Changing a name of the file or folder .....	63
Direct PC-Link .....	63

## CARE AND MAINTENANCE

Cleaning the Hook Area.....	64
Cleaning the Thread Path.....	65
Oiling the Machine.....	66-70
Problems and Warning Signals .....	71
Troubleshooting.....	72

## DESIGN CHART

Embroidery .....	73-80
------------------	-------

## GETTING READY TO SEW

### Names of Parts

- ① Thread take-up lever
- ② Upper thread guide
- ③ Pre-tension thread guide
- ④ Bobbin winder thread guide
- ⑤ Spool pin
- ⑥ Spool holder (large)
- ⑦ Hole for extra spool pin
- ⑧ Bobbin thread cutter
- ⑨ Bobbin winder spindle
- ⑩ Bobbin winder stopper

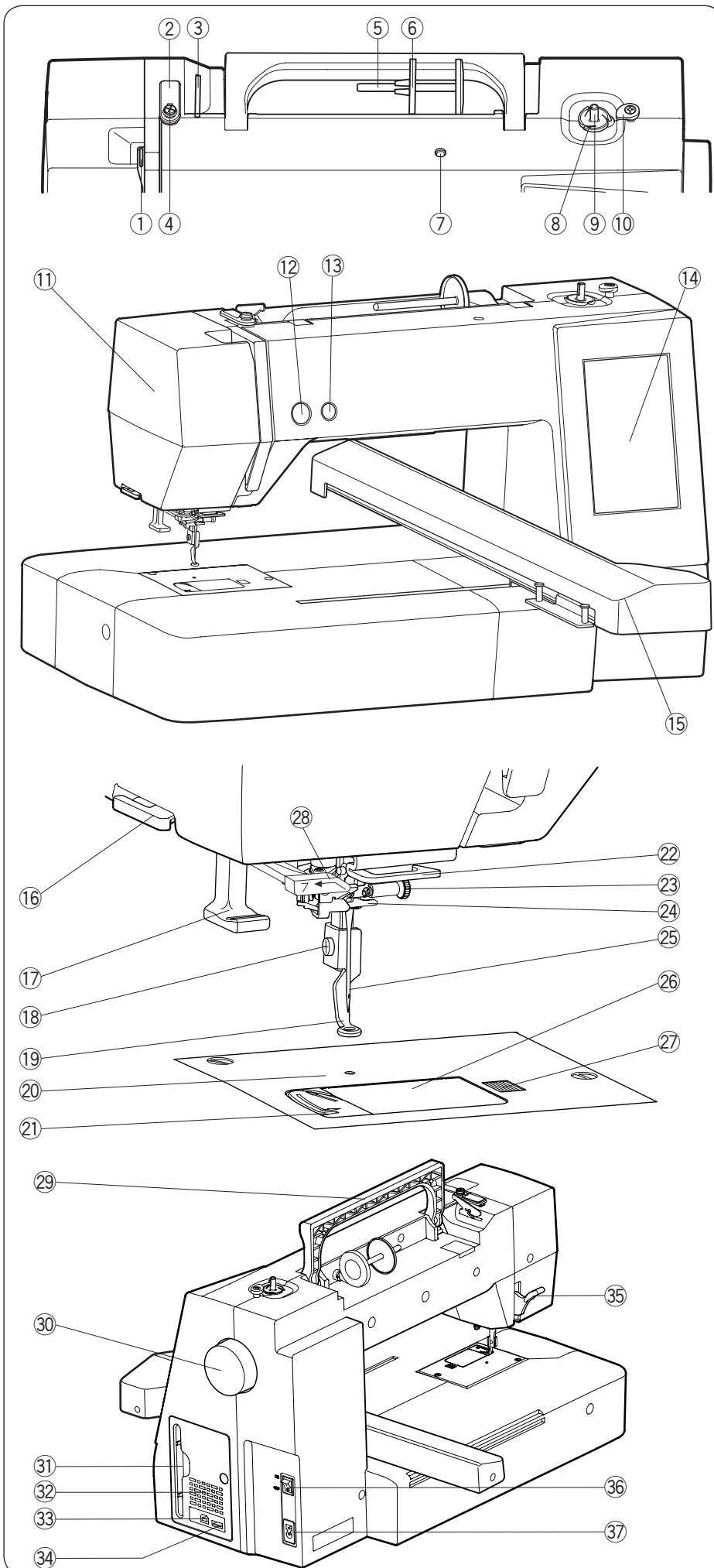
- ⑪ Face plate
- ⑫ Start/stop button
- ⑬ Thread cutter button
- ⑭ Visual touch screen
- ⑮ Carriage

- ⑯ Thread cutter/holder
- ⑰ Needle threader knob
- ⑱ Setscrew
- ⑲ Embroidery foot
- ⑳ Needle plate
- ㉑ Thread cutter
- ㉒ Lower thread guide
- ㉓ Needle clamp screw
- ㉔ Needle bar thread guide
- ㉕ Needle
- ㉖ Hook cover plate
- ㉗ Hook cover release button
- ㉘ Needle threader guide

- ㉙ Carrying handle
- ㉚ Handwheel
- ㉛ Touch panel stylus holder
- ㉜ Ventilation opening
- ㉝ USB port (type B)
- ㉞ USB port (type A)
- ㉟ Presser foot lifter
- ㊱ Power switch
- ㊲ Power inlet

#### NOTE:

To carry the sewing machine, hold the carrying handle with your hand, and support the sewing machine with the other hand.

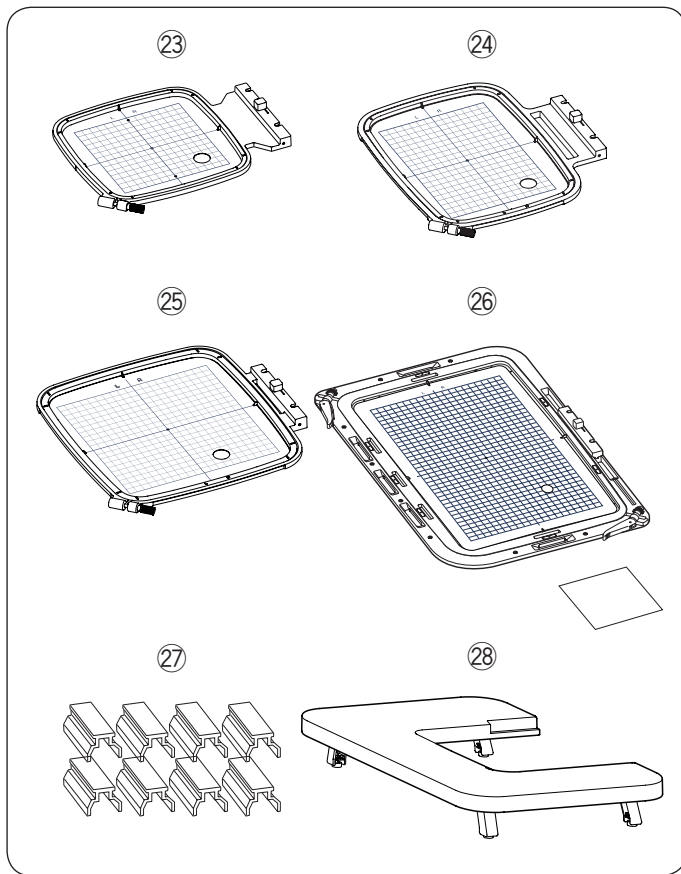


\* Design and specifications are subject to change without prior notice.

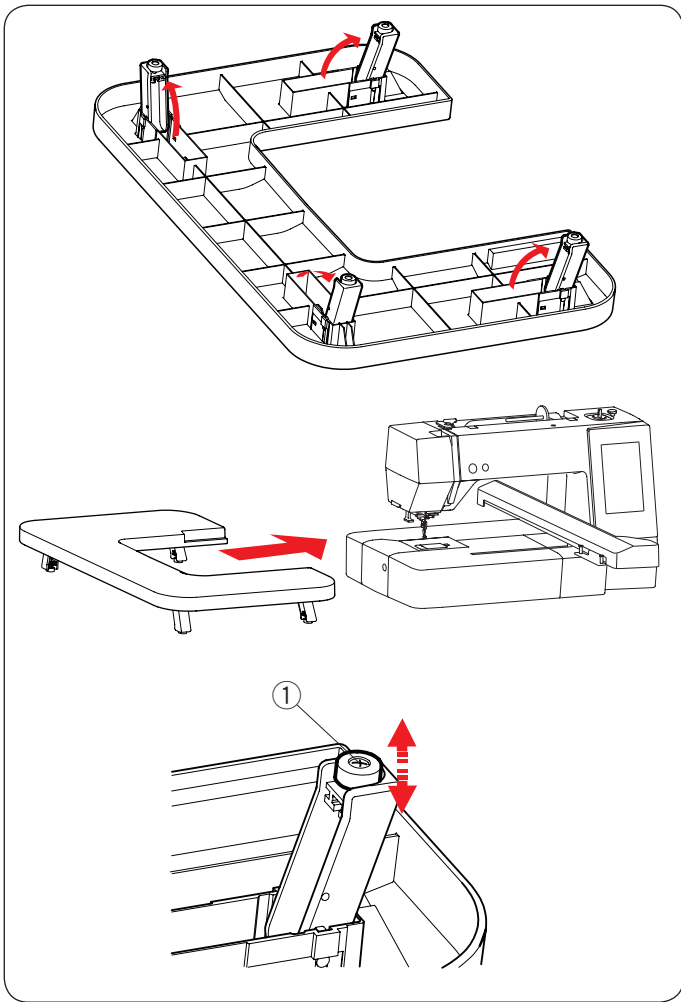
## Standard Accessories

No.	Part Name	Part No.	
①	Bobbin x 5 (1 set on the machine)	102261103	
②	Screwdriver	820832005	
③	Screwdriver key (for needle plate)	653802002	
④	Lint brush	802424004	
⑤	Scissors	803813203	
⑥	Needle set	852802108	
⑦	Spool holder (large) x 2 (1 set on the machine)	822020503	
⑧	Spool holder (small) x 2	822019509	
⑨	Spool holder (special) x 2	862408008	
⑩	Extra spool pin	809041004	
⑪	Bobbin holder (1 set on the machine)	846652504	
⑫	Special bobbin holder for Embroidery (high tension)	846652607	
⑬	Touch panel stylus	860194002	
⑭	Bobbin holder cleaner	859858007	
⑮	Instruction book	864800778	
⑯	Quick reference guide	864818001	
⑰	Instructional DVD	864848000	
⑱	Embroidery Editor CD-ROM	864849001	
⑲	Embroidery Editor Installation guide	864849207	
⑳	Soft cover	864807007	
㉑	USB cable	850403006	
㉒	Power cable*	U.S.A. and Canada	856519004
		U.K.	830377008
		Australia	830314018
		Continental Europe	830335004

\* The power cable included may differ from the illustration.



No.	Part Name	Part No.
23	Embroidery hoop SQ14b (with template)	864803003
24	Embroidery hoop RE20b (with template)	864802002
25	Embroidery hoop SQ20b (with template)	864801001
26	Embroidery hoop RE36b (with template) and anti-slipping sticker	864839008
27	Clamp x 8	861805305
28	Extra wide table	864805201



### Extra Wide Table

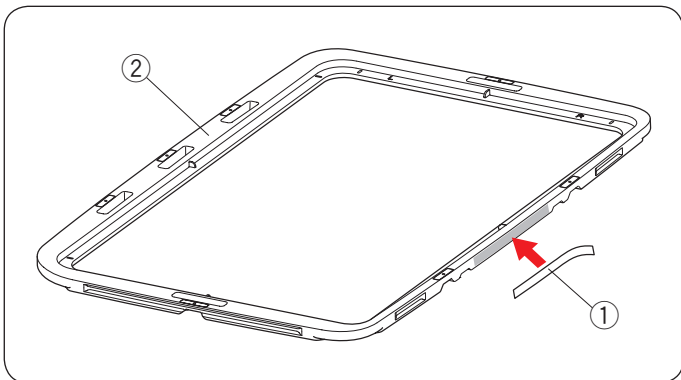
Use the extra wide table when the Embroidery hoop RE20b, SQ20b or RE36b is attached to the machine. Extract the 4 legs located the underside of the table. Place the extra wide table on the machine.

#### NOTE:

Adjust the height of the extra wide table to the height of the machine table by turning the adjusting screws of 4 legs. Otherwise the carriage may hit the extra wide table when attached. Use a Phillips screwdriver\* to turn the adjusting screw.

① Adjusting screw

\* Phillips screwdriver is not included with the machine.



### Anti-slipping sticker (for Embroidery hoop RE36b)

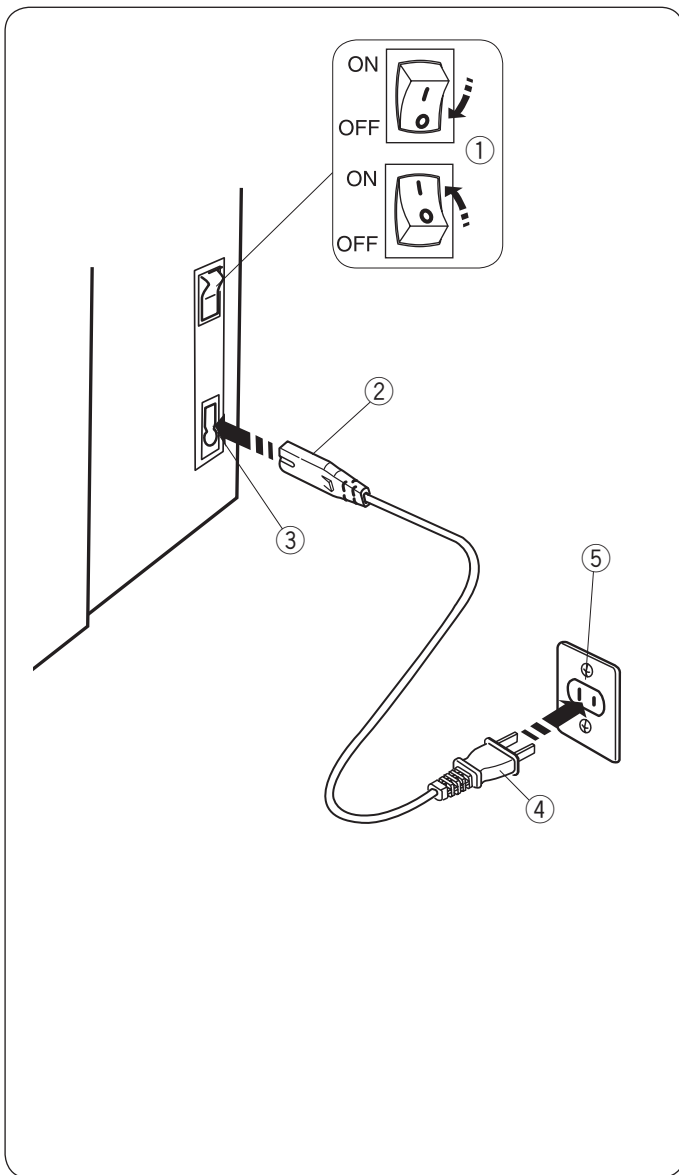
Embroidery hoop RE36b unit includes the anti-slipping sticker.

Peel and paste the sticker on the inner hoop of the Embroidery hoop RE36b as shown to prevent slipping of the fine fabrics.

① Anti-slipping sticker

② Inner hoop





## Connecting the Power Supply

- 1 First make sure the power switch ① is off.
- 2 Insert the machine plug ② of the power supply cord into the power inlet ③.
- 3 Insert the power supply plug ④ into the wall outlet ⑤, and turn the power switch ① on.
  - ① Power switch
  - ② Machine plug
  - ③ Power inlet
  - ④ Power supply plug
  - ⑤ Wall outlet

### NOTE:

Make sure to use the power cable that came with the machine.  
If you turn off the power switch, wait for 5 seconds before turning it on again.

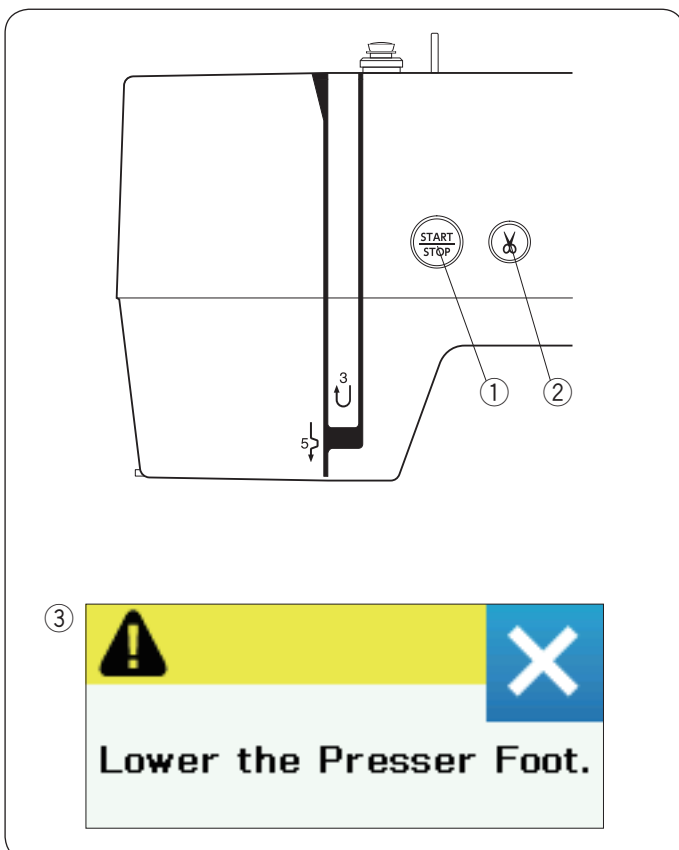
### ⚠ WARNING:

While in operation, always keep your eyes on the sewing area, and do not touch any moving parts such as the thread take-up lever, handwheel or needle. Always turn off the power switch and unplug the machine from the power supply;

- when leaving the machine unattended.
- when attaching or removing parts.
- when cleaning the machine.

### For the U.S.A. and Canada only

Polarized plug (one blade wider than the other):  
To reduce the risk of electric shock, this plug is intended to fit in a polarized outlet only one way. If it does not fit fully in the outlet, reverse the plug. If it still does not fit, contact a qualified electrician to install the proper outlet. Do not modify the plug in any way.

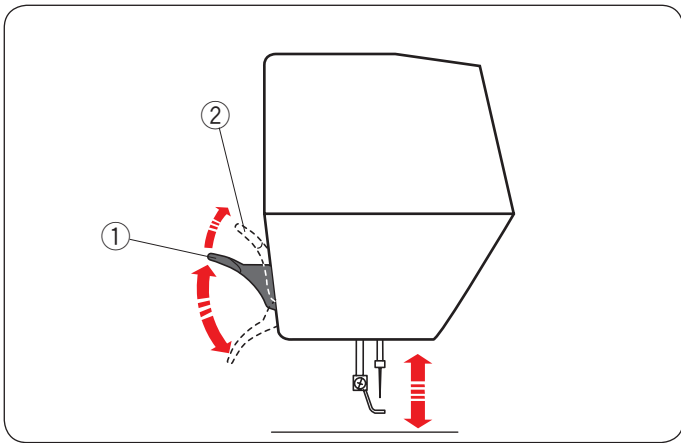


## Machine Operating Buttons

- ① **Start/stop button**  
Press this button to start or stop the machine. The button turns red when the machine is running, and green when it stops.
- ② **Thread cutter button**  
Press this button when you finish sewing to trim the threads. The needle bar automatically rise after trimming the threads.

### NOTE:

If you press the start/stop button without lowering the presser foot, the warning message ③ appears on the visual touch screen.  
Lower the presser foot and press the start/stop button.



## Raising and Lowering the Presser Foot

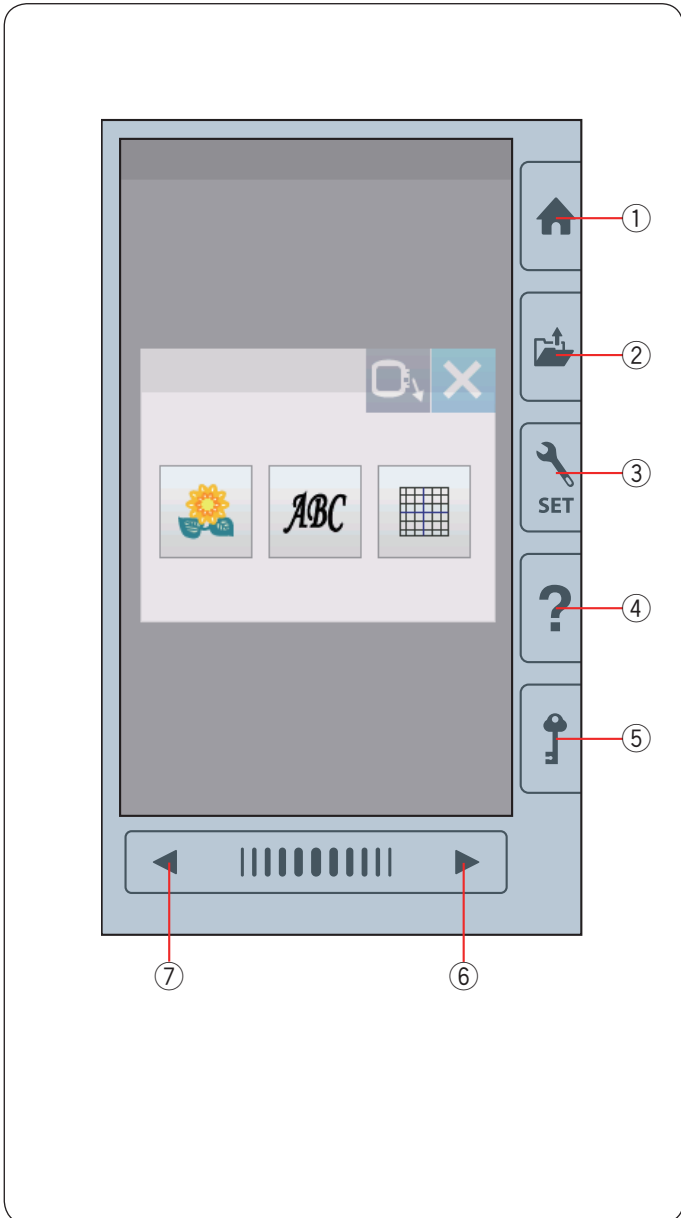
You can raise and lower the presser foot with the presser foot lifter.

- ① Presser foot lifter
- ② Extra lifted position

You can raise the presser foot about 7 mm (1/4") higher than the normal up position by exerting more pressure when lifting the presser foot lifter.

### NOTE:

Do not turn the hand wheel when the presser foot is in the extra lifted position.



## Common Keys

### ⚠ CAUTION:

Do not press the visual touch screen with hard or sharp objects such as pencils, screwdrivers and others. Use the touch panel stylus included in the standard accessories.

#### ① Home key

Press this key to enter the category selection.

#### ② Open file key

Press this key and the open file window will open.

You can open embroidery designs saved in the machine's internal memory or on a USB flash drive.

#### ③ Set mode key

Press this key to enter the setting mode. You can customize the machine settings to your preference.

The machine settings for common settings, embroidery and language selection are available in this mode.

#### ④ Help key

Press this key to view the step-by-step visual guide about the essential operations.

#### ⑤ Lockout key

Press this key to lockout the machine when threading the machine, replacing the accessories, etc.

To reduce the risk of injury, all the buttons and keys are deactivated.

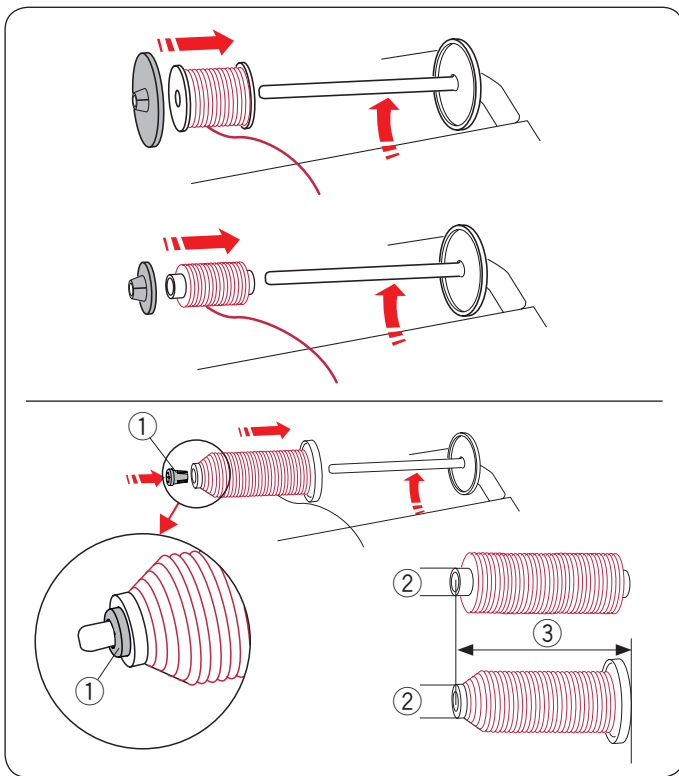
To unlock the machine, press the lockout key ⑤ again.

#### ⑥ Next page key

To view the next page, press the next page key.

#### ⑦ Previous page key

To view the previous page, press the previous page key.



## Setting the Spool of Thread

Lift up the spool pin. Place the spool of thread on the spool pin.

Attach the large spool holder, and press it firmly against the spool of thread.

### NOTE:

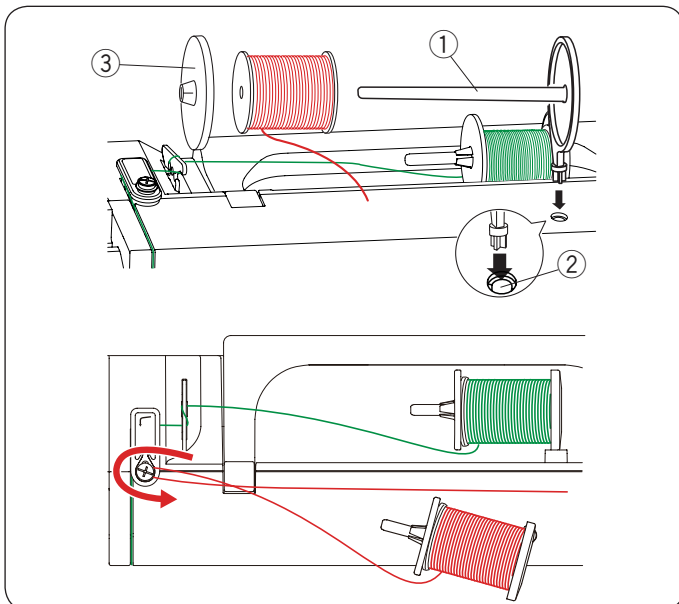
Use the small spool holder to hold narrow or small spools of thread.

Use the spool holder (special) to hold the specific size of the spool of threads as shown.

The sizes of the spools of thread are as follows; The hole diameter of the spool has a range of 3/8" to 7/16" (9.5 to 10.5 mm), and the spool length has a range of 2 3/4" to 3" (70 to 75 mm).

- ① Spool holder (special)
- ② Hole diameter (3/8" to 7/16")
- ③ Spool length (2 3/4" to 3")

Firmly insert the spool holder (special) into the hole and hold the spool as illustrated.



## Extra spool pin

Use the extra spool pin when you need to wind a bobbin without unthreading the machine while working on a sewing project.

Insert the extra spool pin into the hole as shown.

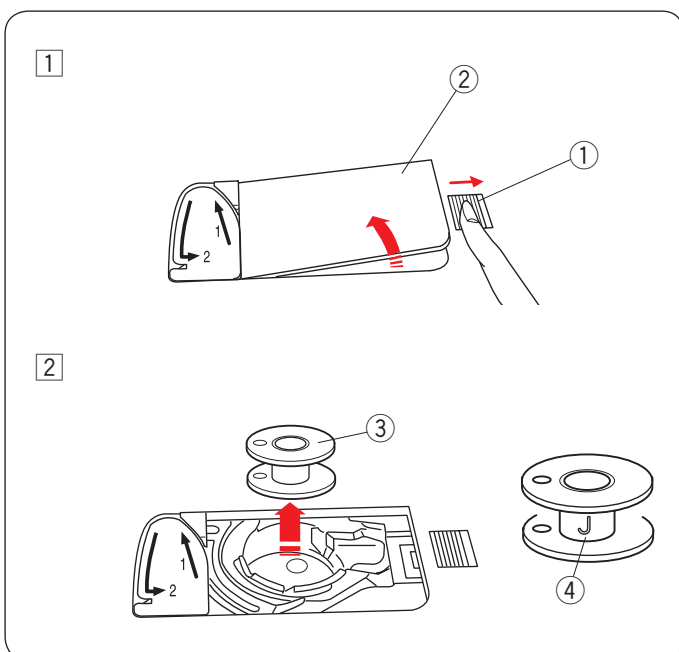
Place a spool of thread on the extra spool pin and fix the spool with the spool holder.

- ① Extra spool pin
- ② Hole for extra spool pin
- ③ Large spool holder

Draw the thread to the left and forward around the bobbin winder thread guide as shown.

Firmly pull the thread to the right.

Follow the procedure from 2 to 8 of page 10 to wind the bobbin.



## Winding the Bobbin

### Removing the bobbin

### CAUTION:

Press the lockout key or turn the power switch off.

- 1 Slide the hook cover release button ① to the right, and remove the hook cover plate ②.

- ① Hook cover release button
- ② Hook cover plate

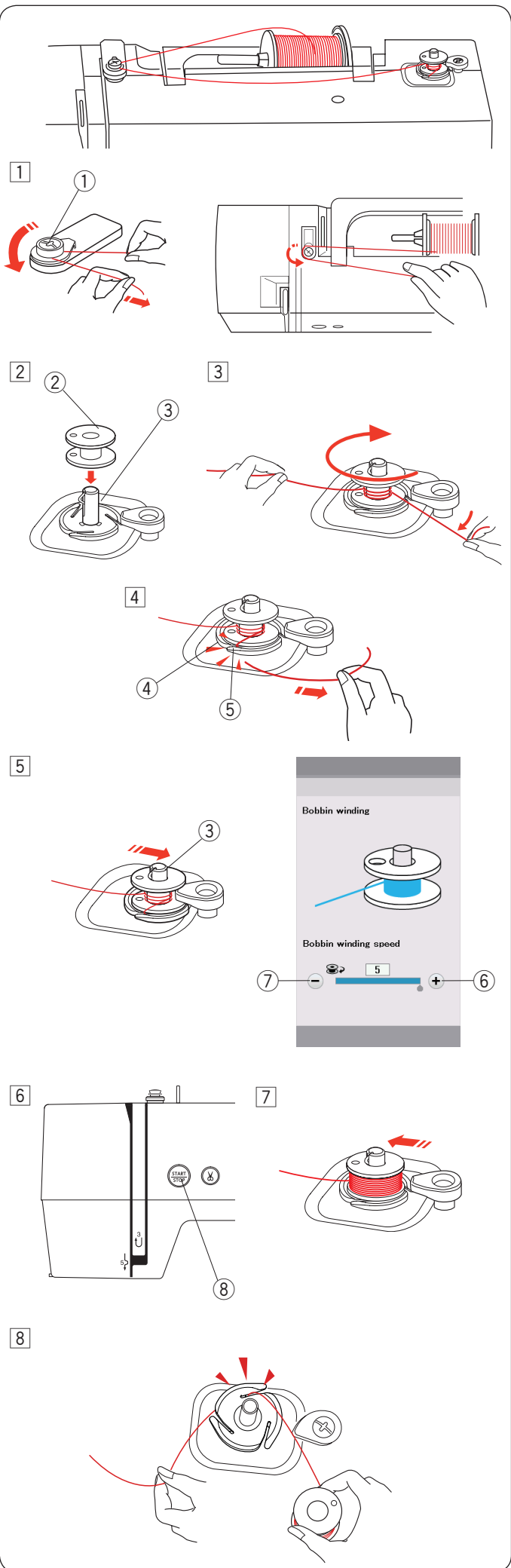
- 2 Remove the bobbin ③ from the bobbin holder.

- ③ Bobbin

### NOTE:

Use the plastic bobbins for horizontal hook marked with a "J" ④. Using other bobbins, such as pre-wound paper bobbins, may cause stitching problems and/or damage to the bobbin holder.

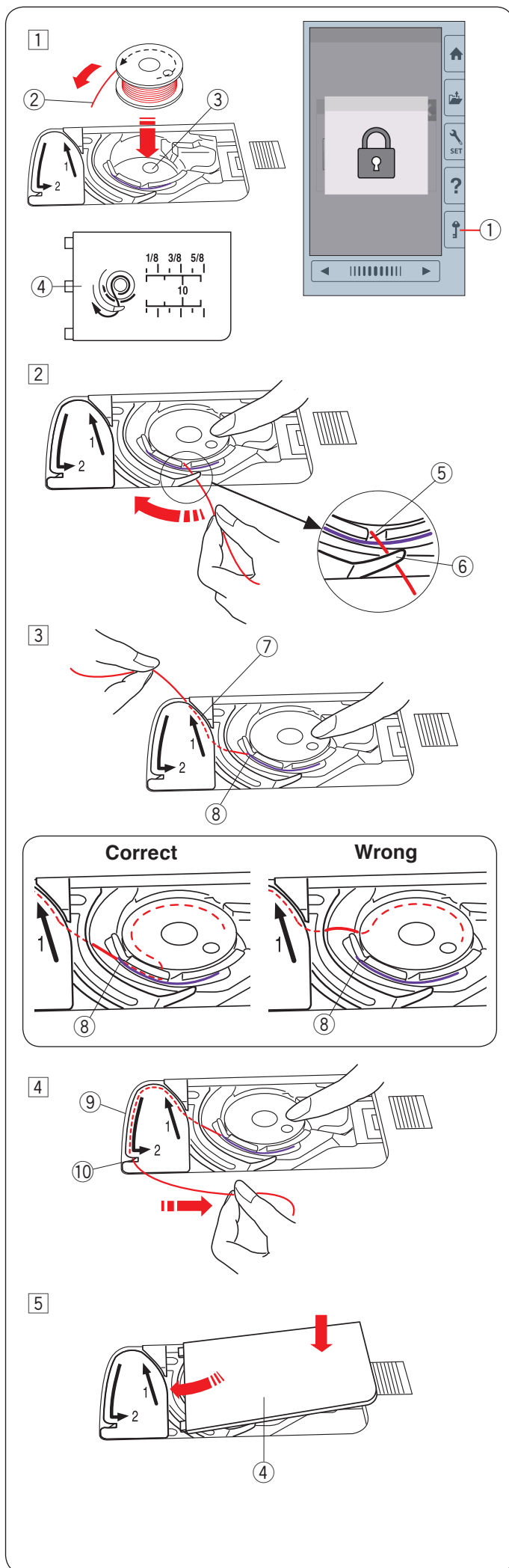
## Winding the bobbin



- 1 Draw the thread from the spool.  
Guide the thread around the bobbin winder thread guide.
    - ① Bobbin winder thread guide
  
  - 2 Put the bobbin on the bobbin winder spindle.
    - ② Bobbin
    - ③ Bobbin winder spindle
  
  - 3 Pass the thread to the bobbin.  
Hold the thread with both hands and wind it around the bobbin clockwise several times.
  
  - 4 Insert the thread into one of the slits ⑤ of the flange plate ④ and pull the thread to cut.
    - ④ Flange plate
    - ⑤ Slit
  
  - 5 Push the bobbin winder spindle ③ to the right.  
The visual touch screen will show the bobbin winding sign.  
If you wish to wind the bobbin thread more quickly or slowly, you can adjust the maximum bobbin winding speed by pressing the “+” key ⑥ or “-” key ⑦.
- NOTE:**  
Do not move the bobbin winder spindle while the machine is running.
- 6 Press the start/stop button ⑧.
    - ⑧ Start/stop button

When the bobbin is fully wound, it will stop spinning automatically.  
Press the start/stop button ⑧ to stop the machine.
  
  - 7 Return the bobbin winder to its original position by moving the spindle to the left.
  
  - 8 Remove the bobbin.  
Insert the thread into one of the slits of the flange plate and pull the thread to cut.

**NOTE:**  
For safety purposes, the machine will automatically stop 1.5 minutes after starting bobbin winding.



## Inserting the bobbin

- 1 Press the lockout key.  
Place a bobbin in the bobbin holder with the thread running off counterclockwise as shown on the hook cover plate.
  - 1 Lockout key
  - 2 End of thread
  - 3 Bobbin holder
  - 4 Hook cover plate

- 2 Hold the bobbin with your fingertip so it does not rotate.  
Guide the thread into the front notch of the bobbin holder.  
Pull the thread to the left to pass it under the guide.
  - 5 Front notch
  - 6 Guide

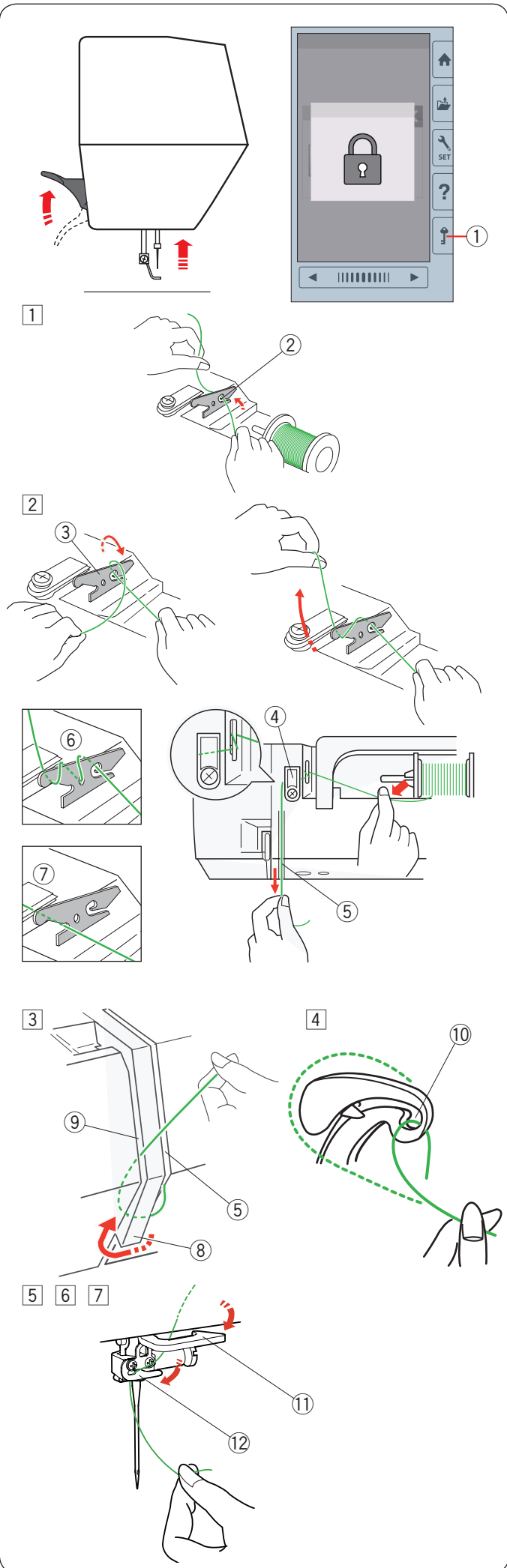
- 3 Draw the thread to the left to pass it into the guide path marked "1".  
Make sure that the thread comes out from the side notch of the bobbin holder.
  - 7 Guide path 1
  - 8 Side notch

### NOTE:

If the thread does not come out from the side notch, rethread from step 1.

- 4 Continue to draw the thread along the guide path marked "2" and pull the thread to the right through the slit. The thread will be cut to a proper length and held in place.
  - 9 Guide path 2
  - 10 Slit (Thread cutter)

- 5 Set the left edge of the hook cover plate into opening.  
Push down the hook cover plate to fit in place.



## Threading the Machine

Raise the presser foot lifter.

Press the lockout key to lockout the machine.

Turn the handwheel toward you to raise the needle at its highest position.

- ① Lockout key

Pass the thread in order from ① to ⑦.

- ① Pull the thread from the spool.

Hold the thread with both hands and pass the thread into the slit of the pre-tension thread guide.

- ② Slit

- ② Wind the thread around the pre-tension thread guide once as shown.

Hold the thread with right hand and draw the thread around the corner of the upper thread guide.

Firmly pull the thread toward you along the right channel until the thread snaps.

- ③ Pre-tension thread guide

- ④ Upper thread guide

- ⑤ Right channel

### NOTE:

- If the thread slips out of the pre-tension thread guide while sewing, wind the thread through the hole as shown ⑥ when threading through the pre-tension thread guide.
- If the thread coming out from the needle eye is too short after auto thread cutting and skipped stitch occurs, draw the thread through the pre-tension thread guide as shown ⑦.

- ③ Draw the thread down along the right channel and around the bottom of the thread guide plate.

Pull the thread up along the left channel.

- ⑤ Right channel

- ⑧ Thread guide plate

- ⑨ Left channel

- ④ While holding the thread at the spool, firmly draw the thread up and to the back of the take-up lever. Draw the thread forward to draw it into the eye of the take-up lever.

- ⑩ Eye of the take-up lever

- ⑤ Then pull the thread down along the left channel and through the lower thread guide.

- ⑪ Lower thread guide

- ⑥ Slide the thread from the right of the needle bar thread guide to the left.

- ⑫ Needle bar thread guide

- ⑦ Thread the needle with the needle threader (refer to the next page).

## Built-in Needle Threader

### NOTE:

The needle threader can be used with a #11 to #14 needle.  
Thread size 50 to 90 is recommended.  
Do not use thread size 30 or thicker.

- 1 Press the lockout key to lock the machine.

Lower the presser foot.

Turn the handwheel toward you until the needle thread sign ② appears on the right upper corner of the lockout window.

- ① Lockout key
- ② Needle thread sign

- 2 Pull the thread up to the left, over the needle threader guide while holding the thread near the spool with your hand.

- ③ Needle threader guide
- ④ Slit

### NOTE:

Be sure that the thread pass the slit ④ of the needle threader as shown.

- 3 Pull the thread up and slip it between the thread cutter and face plate from behind.

Pull the thread toward you to cut.

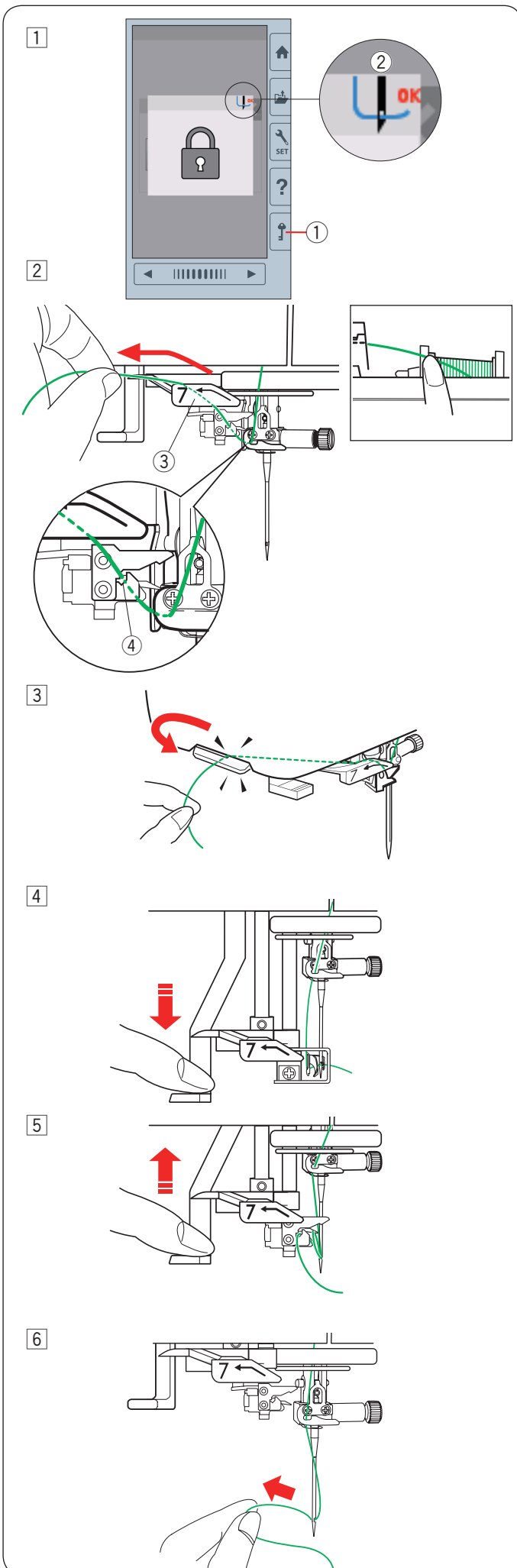
- 4 Pull down the needle threader knob as far as it will go.

- 5 Raise the threader slowly so a loop of the thread is pulled up through the needle eye.

- 6 Pull the thread loop to take the thread end out through the needle eye to the rear.

### NOTE:

If the thread is caught in the hook and the thread loop is not formed, remove the thread from the hook and pull it to take the thread end out through the needle eye.



## Replacing Needles

### CAUTION:

Always make sure to press the lockout key to lockout the machine or turn the power switch off before replacing the needle.

A loose needle or a loose screw may cause machine malfunction or needle to break.

Raise the needle by turning the handwheel.  
Turn the power switch off or press the lockout key.

① Lockout key

Loosen the needle clamp screw by turning it counterclockwise.

Remove the needle from the clamp.

② Needle clamp screw

Insert a new needle into the needle clamp with the flat side of the needle to the rear.

When inserting the needle into the needle clamp, push it up against the stopper pin and tighten the needle clamp screw firmly with a screwdriver.

③ Flat side

④ Stopper pin

To check needle straightness, place the flat side of the needle onto something flat (a needle plate, glasses, etc.). The gap between the needle and the flat surface should be consistent.

⑤ Gap

Never use a blunt needle.

### CAUTION:

Be sure to tighten the needle clamp screw firmly with a screwdriver when attaching a needle to the machine, otherwise the needle may break or cause malfunction.

### NOTE:

- Use the needles equipped with the machine or supplied by an authorized dealer.
- Use size 11 blue tipped needle for fine fabrics.
- For medium to heavy weight fabrics, use size 14 needles or red tip needle\*.

## Fabric and Needle Chart

Fabric	Thread	Needle
Fine	Embroidery thread	Blue tip needle
Medium		
Heavy weight		Universal needle #14 Red tip needle*

Janome bobbin thread for embroidery is recommended for bobbin.

\* Red tip needle is an optional item.



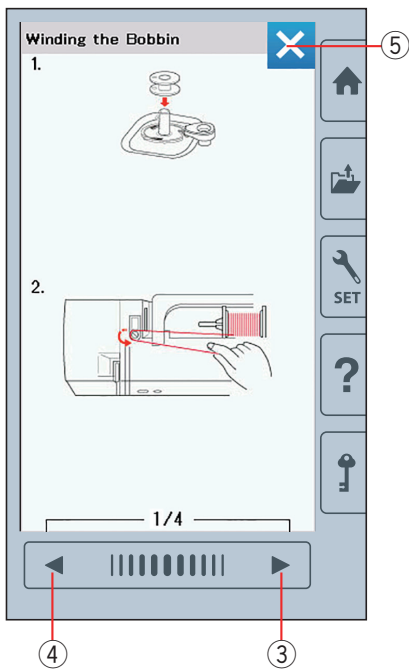
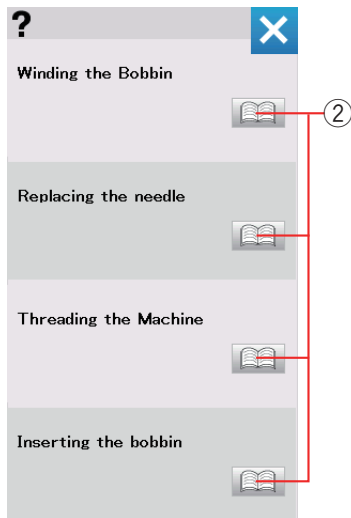
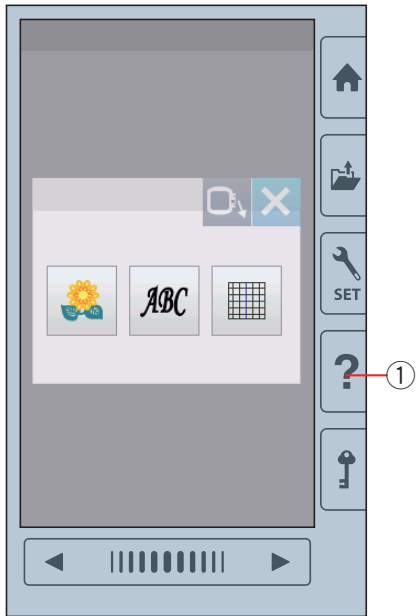
## On-screen Help

Press the help key to open the help menu.

You can view instructions on 4 topics of essential operations of the machine.

Select the help topic by pressing the book icon and the step-by-step instruction will open.

- ① Help key
- ② Book icon

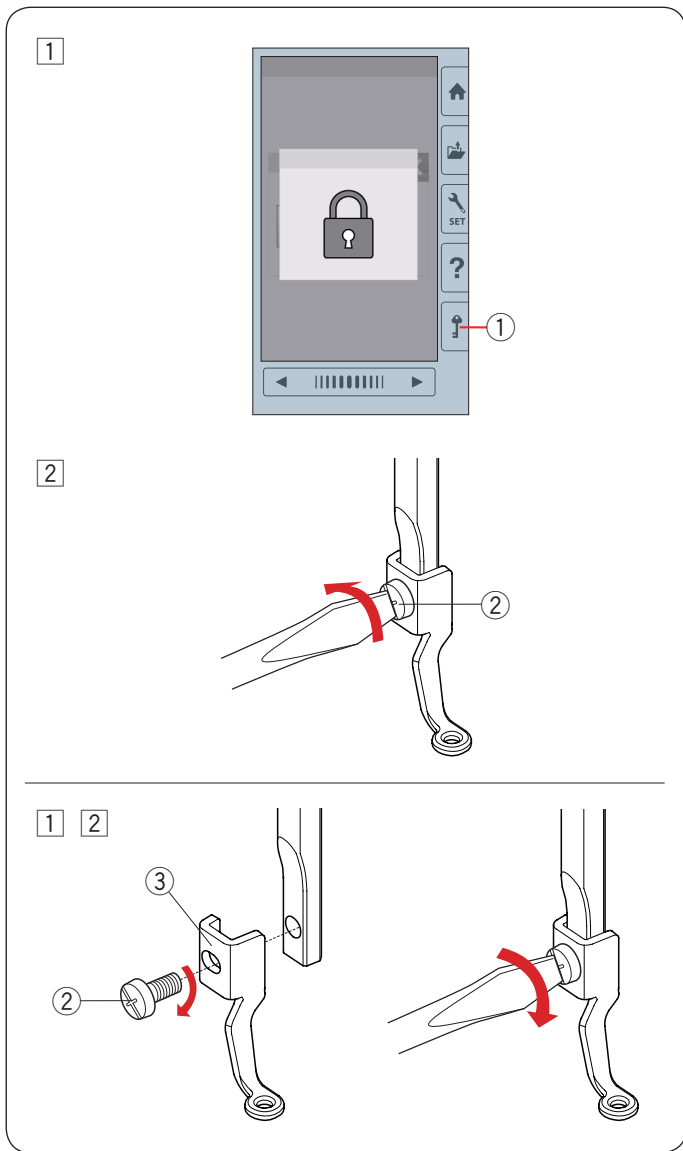


To view the next page, press the next page key.

To view the previous page, press the previous page key.

Press the X key to close the current window.

- ③ Next page key
- ④ Previous page key
- ⑤ X key



## Removing and Attaching the Embroidery Foot

Remove the embroidery foot when removing the needle plate for the maintenance, etc.

### **CAUTION:**

Always make sure to press the lockout key to lockout the machine or turn the power switch off before removing or attaching the embroidery foot.

#### To remove:

- 1 Turn the power switch off or press the lockout key.  
Raise the needle by turning the handwheel toward you.
  - 1 Lockout key
- 2 Loosen the setscrew with the screwdriver and remove the embroidery foot.
  - 2 Setscrew

#### To attach:

- 1 Attach the embroidery foot to the presser bar from the left side.
  - 2 Setscrew
  - 3 Embroidery foot
- 2 Tighten the setscrew securely with the screwdriver.

## Bobbin Holder for Embroidery (high tension)

### CAUTION:

Always make sure to press the lockout key to lockout the machine or turn the power switch off before attaching the bobbin holder.

Replace the standard bobbin holder (part number 846652504) with the special bobbin holder (high tension, part number 846652607) when using bobbin threads other than Janome bobbin thread for embroidery.

Either part number (846652504 or 846652607) is indicated inside the bobbin holder.

① Part number indicated here

① Remove the needle, embroidery foot and needle plate (refer to the pages 14, 16 and 64).

Take out the standard bobbin holder.

② Standard bobbin holder

② Insert the special bobbin holder into the hook race.

Make sure to match the knob of the bobbin holder with the stopper on the machine.

Attach the needle plate, presser foot and needle.

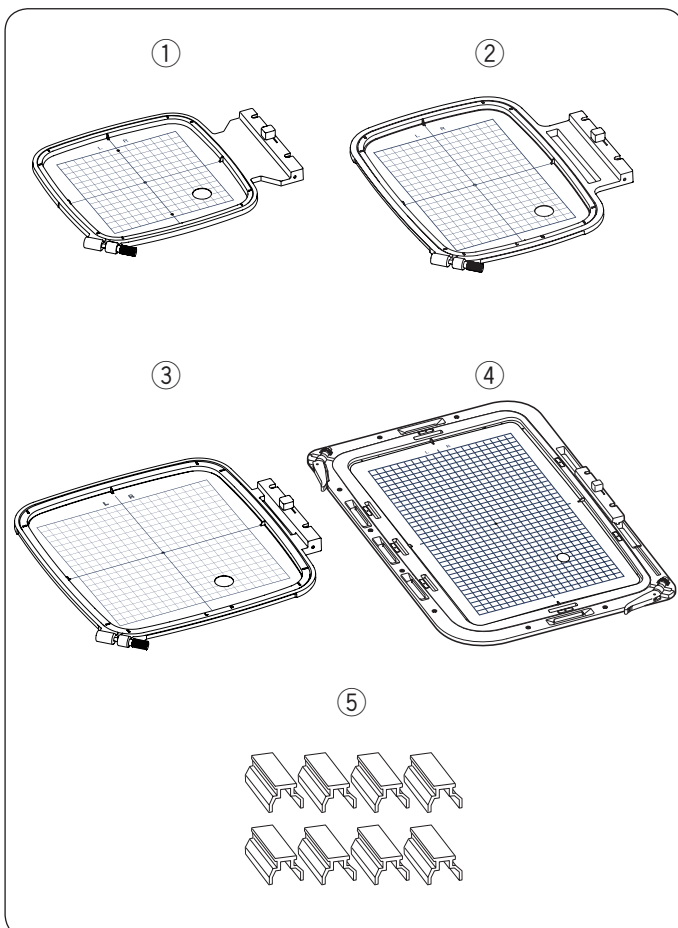
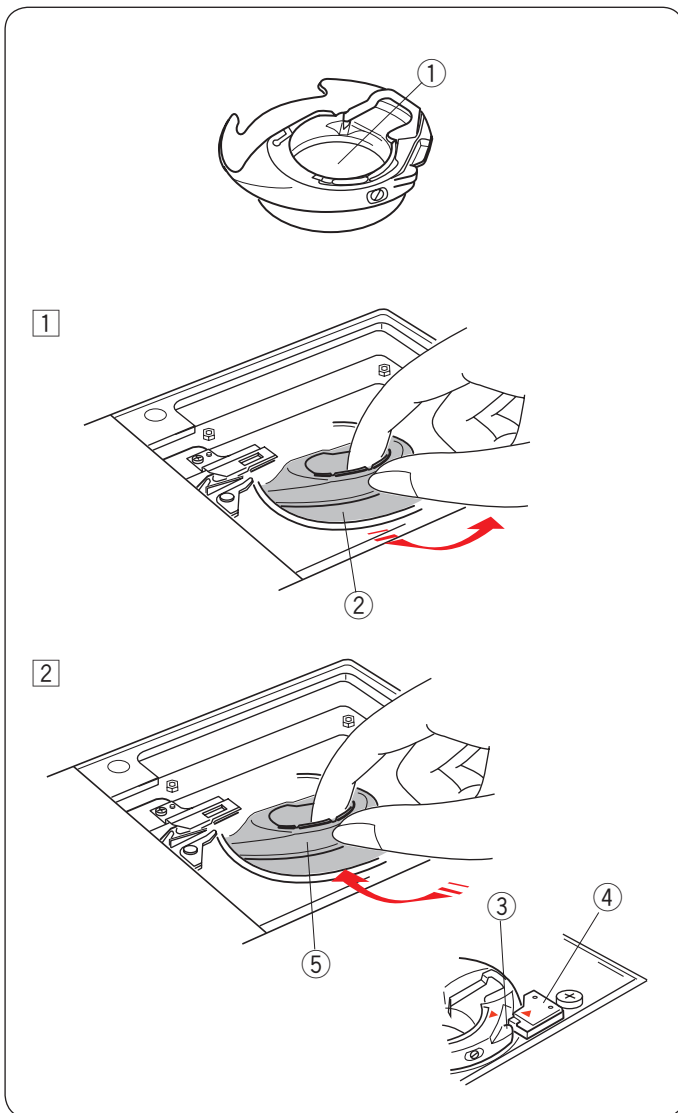
③ Knob

④ Stopper

⑤ Special bobbin holder for embroidery (high tension)

### NOTE:

Use the standard bobbin holder when sewing quilting designs that use the same thread for the bobbin as the needle thread.



## Embroidery Hoops

① Embroidery hoop SQ14b

A square embroidery hoop with a 14 cm (5.5") square embroidery area.

② Embroidery hoop RE20b

An extra large embroidery hoop with a 14 cm by 20 cm (5.5" by 7.9") embroidery area.

③ Embroidery hoop SQ20b

A square embroidery hoop with a 20 cm (7.9") square embroidery area.

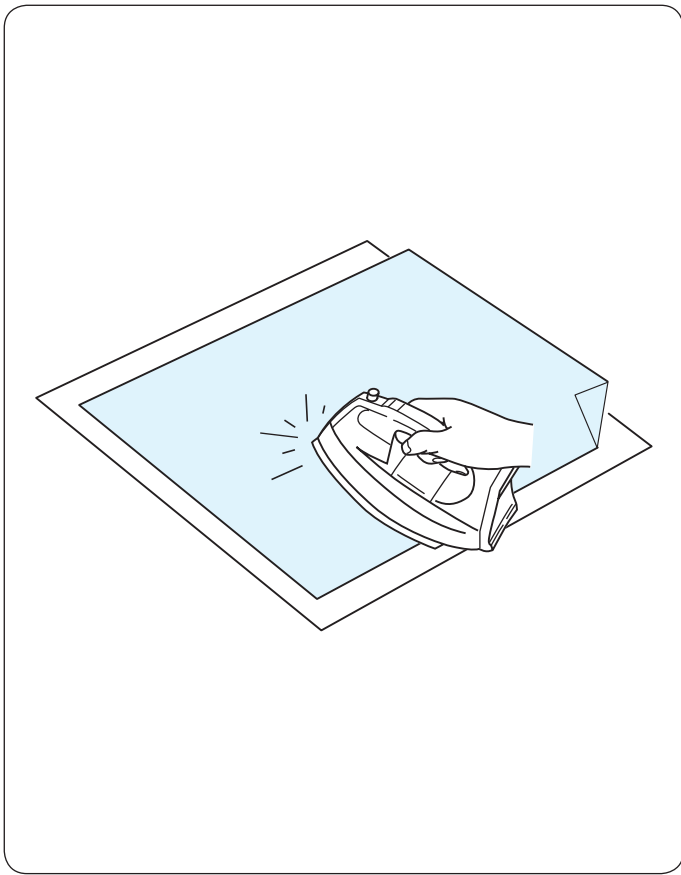
④ Embroidery hoop RE36b

An extra large embroidery hoop with a 20 cm by 36 cm (7.9" by 14") embroidery area.

⑤ Clamp (RE20b, SQ20b and RE36b)

A clamp for holding the fabric to the embroidery hoops RE20b, SQ20b and RE36b.

\* The embroidery hoops supplied with your machine vary depending on your model.



## Stabilizers

To create the best quality embroidery, it is important to use stabilizers.

### How to use:

Attach the stabilizer to the wrong side of the fabric.

You may need to use more than one layer.

For firm fabrics, you may place a thin sheet of paper under the fabric.

The non-adhesive type should be used when embroidering fabric which cannot be ironed or for sections which are difficult to iron.

Cut the stabilizer larger than the embroidery hoop and set it on the hoop so that the entire piece is fastened to the hoop to prevent any looseness in the fabric.

### Attaching the stabilizer

Place the wrong side of fabric and the glossy side of the stabilizer together. Fold up a corner of the stabilizer and fuse it with an iron.

#### NOTE:

Fold up a corner of the stabilizer, to make it easier to peel off the excess stabilizer after stitching.

Ironing temperatures vary depending on the kind of adhesive stabilizer you are using.

## Types of the stabilizers

Type	Usage	Property
Tear-away	Stable woven fabrics	Made from a fiber that will tear easily.
Iron-on	Knits and all kinds of unstable fabrics	Adhesive type fusible with an iron.
Cut-away	Knits and all kinds of unstable fabrics	Non-woven fabric that does not tear.
Water soluble	Cutwork or lace embroidery Right side of looped fabrics such as towels to avoid loops coming through the embroidery	A thin film that will dissolve in water.
Heat-away	Cutwork or lace embroidery	A thin film that will melt away with heat.

#### NOTE:

Sticky type stabilizers can be used only for securing a small piece of fabric or work that cannot be secured in the hoop, or for securing velvet and other napped fabric that would be permanently marked by the hoop.

Clean the bobbin holder after stitching as glue can get stuck on it.

## Setting the Fabric in an Embroidery Hoop

### When using hoop SQ14b, SQ20b or hoop RE20b

- 1 Prepare a fabric and attach a stabilizer to the wrong side of the fabric.  
The fabric and stabilizer should be larger than the hoop size.  
Draw the centerlines on the fabric with tailor's chalk.

- ① Fabric
- ② Centerlines

- 2 Lay the inner hoop and template on the fabric, matching the centerlines of the fabric with the template.

- ③ Inner hoop
- ④ Template

- 3 Loosen the hoop tightening screw on the outer hoop.  
Place the inner hoop and fabric on the outer hoop.

- ⑤ Hoop tightening screw
- ⑥ Outer hoop

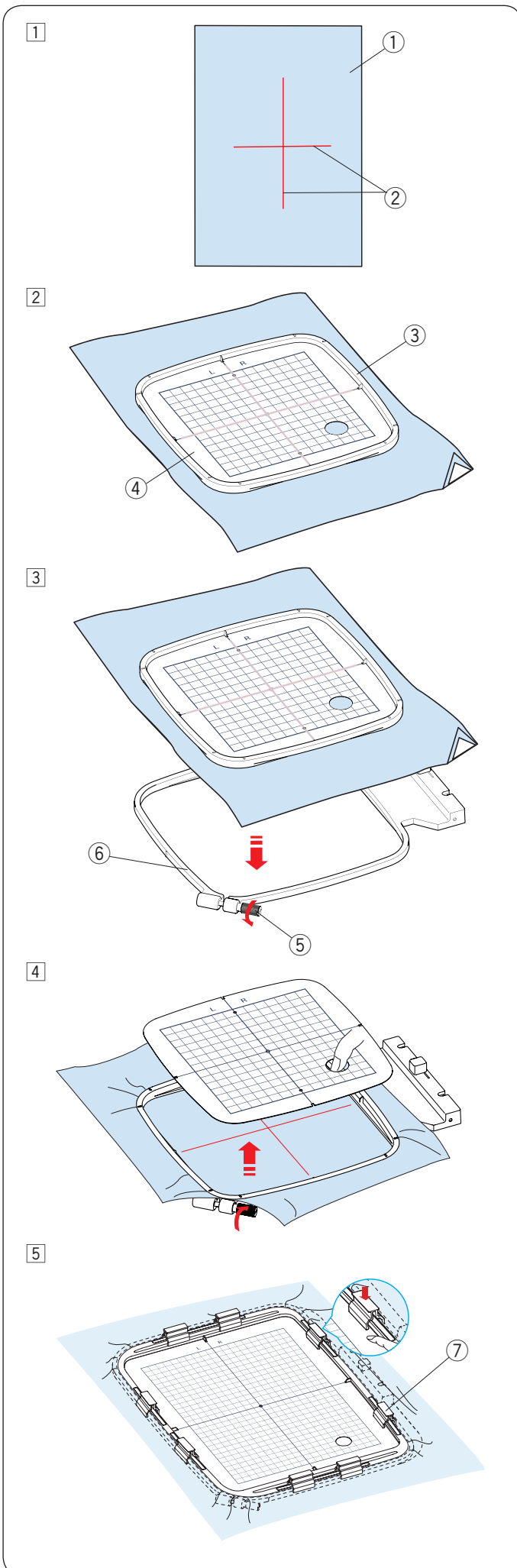
- 4 Push the inner hoop and fabric into the outer hoop.  
Tighten the screw on the outer hoop to stretch the fabric. Make sure that the fabric is stretched tightly in the hoop.  
Remove the template.

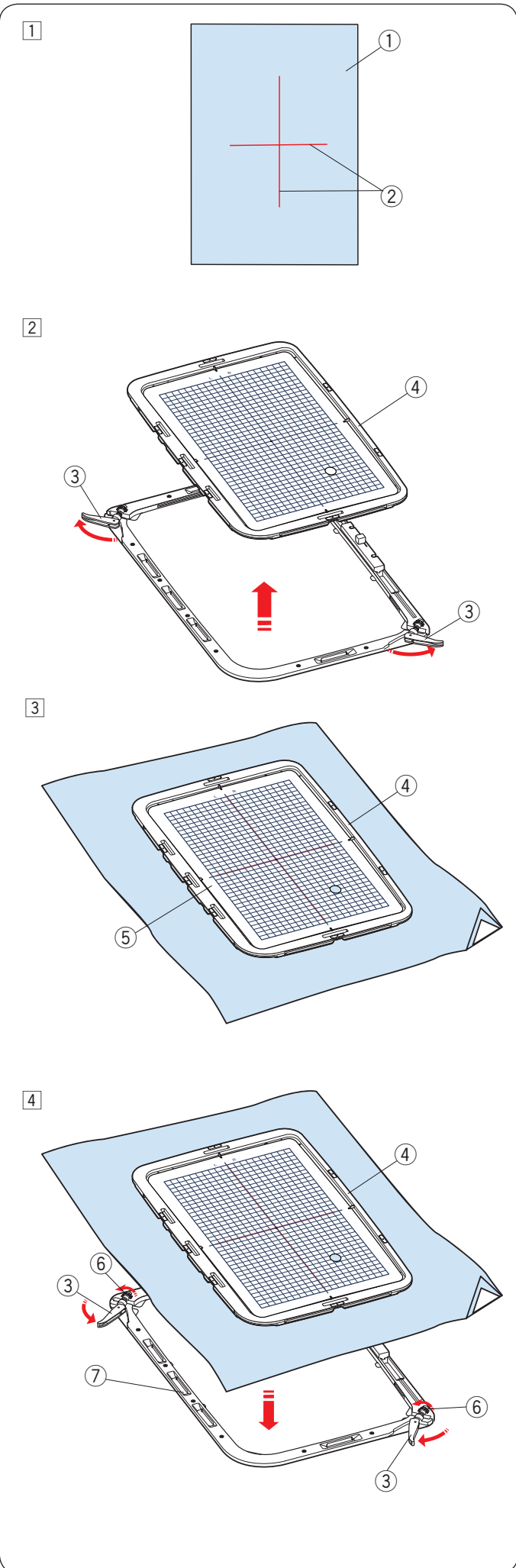
- 5 Clamp the fabric to the hoop with the clamps when using hoop SQ20b or hoop RE20b.

- ⑦ Clamp

#### NOTE:

Thick layers of fabric and stabilizer may cause skipped stitches, or broken threads and needles.  
Avoid sewing on the layers thicker than 3 mm (1/8").





### When using hoop RE36b

- 1 Prepare a fabric and attach a stabilizer to the wrong side of the fabric.

The fabric and stabilizer should be larger than the hoop size.

Draw the centerlines on the fabric with tailor's chalk.

- 1 Fabric
- 2 Centerlines

- 2 Turn the outer hoop levers in the direction of arrow and remove the inner hoop.

- 3 Outer hoop lever
- 4 Inner hoop

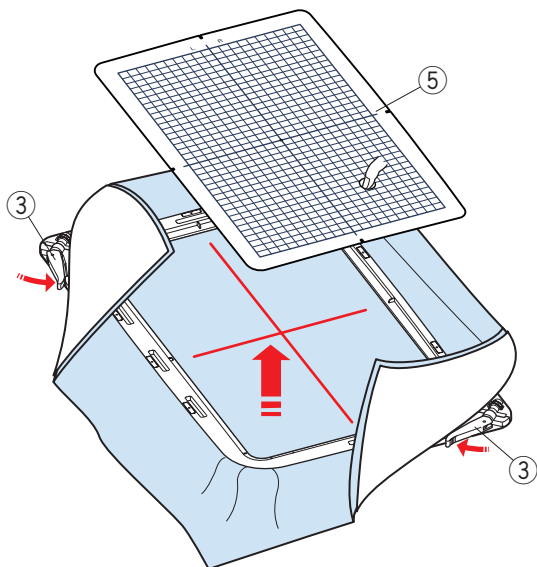
- 3 Lay the inner hoop and template on the fabric, matching the centerlines of the fabric with the template.

- 4 Inner hoop
- 5 Template

- 4 Push the inner hoop and fabric into the outer hoop. Turn the outer hoop levers halfway (in the direction of arrow) and turn the hoop tightening screws with your fingers.

- 3 Outer hoop lever
- 4 Inner hoop
- 6 Hoop tightening screw
- 7 Outer hoop

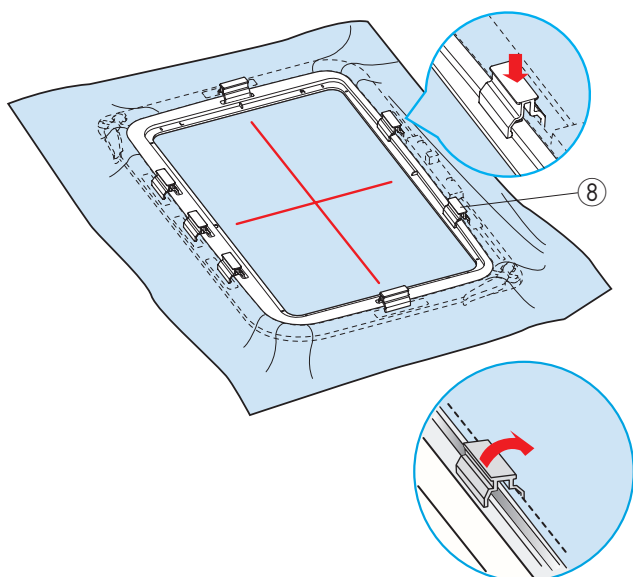
5



- 5 Pull the four sides of the fabric to stretch it tight. Make sure that the fabric is stretched tightly in the hoop. Turn the outer hoop levers in the direction of arrow. Remove the template.

- ③ Outer hoop lever
- ⑤ Template

6



- 6 Clamp the fabric to the hoop with the clamps.
- ⑧ Clamp

\* After sewing, pull the clamp in the direction of arrow to remove them. Turn the outer hoop levers and remove the fabric.

**NOTE:**

- Thick layers of fabric and stabilizer may cause skipped stitches, or broken threads and needles. Avoid sewing on the layers thicker than 3 mm (1/8").
- Make sure that the anti-slipping sticker is attached on the embroidery hoop RE36b (refer to 6 page).

## Attaching the Embroidery Hoop to the Machine

### To attach:

#### 1 Raise the presser foot.

Turn the handwheel toward you to raise the needle at its highest position. Turn the power switch on. If the carriage is not at the home position, the caution message appears to move the carriage to the home position. Press OK key to move the carriage to the home position.

#### ① OK key

Select or edit the desired pattern and press OK key. Ready to Sew screen appears and the carriage moves to the start position.

Press the lockout key to lockout the machine.

#### ② Lockout key

#### 2 Place the prepared hoop on the machine.

Position the hoop by aligning the notches of the hoop with the carriage pins.

#### ③ Notch

#### ④ Carriage pin

#### ⑤ Carriage

#### ⑥ Lever

#### 3 Shift the lever in the direction of the arrow.

#### ⑥ Lever

#### 4 Attach the hoop by pushing it against the carriage pins.

#### 5 Push the lever in the direction of arrow to lock the hoop in place.

### To remove:

#### 1 Raise the presser foot. Turn the handwheel toward you to raise the needle at its highest position.

Press the lockout key to lock the machine.

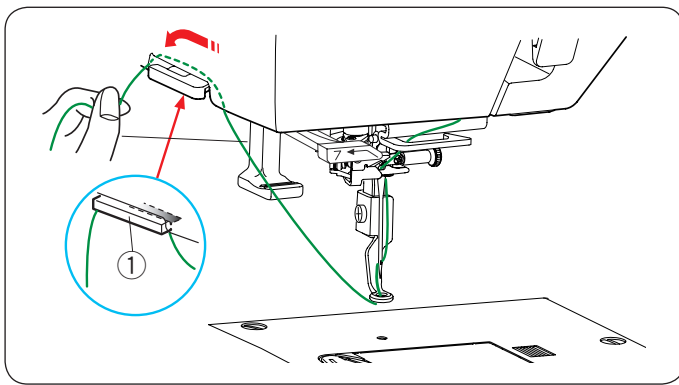
#### 2 Shift the lever in the direction of the arrow and remove the hoop.

#### ⑥ Lever

### **CAUTION:**

- Be careful not to place the excess of fabric between the carriage and machine body ⑦.
- Never try to move the carriage by hand or touch the carriage while it is moving.





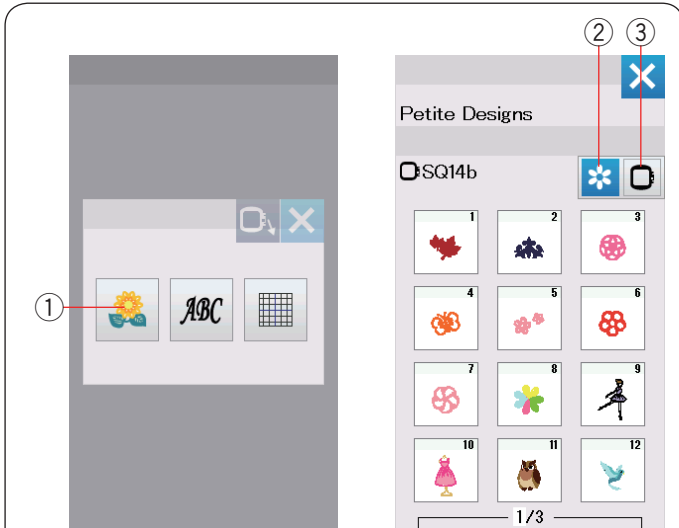
## Thread Holder

To avoid sewing over a tail of the needle thread, place the thread end on the thread holder.

Pass the needle thread through the hole in the embroidery foot and draw it up to the thread holder.

Hang the thread on the thread holder from front to back.

- ① Thread holder



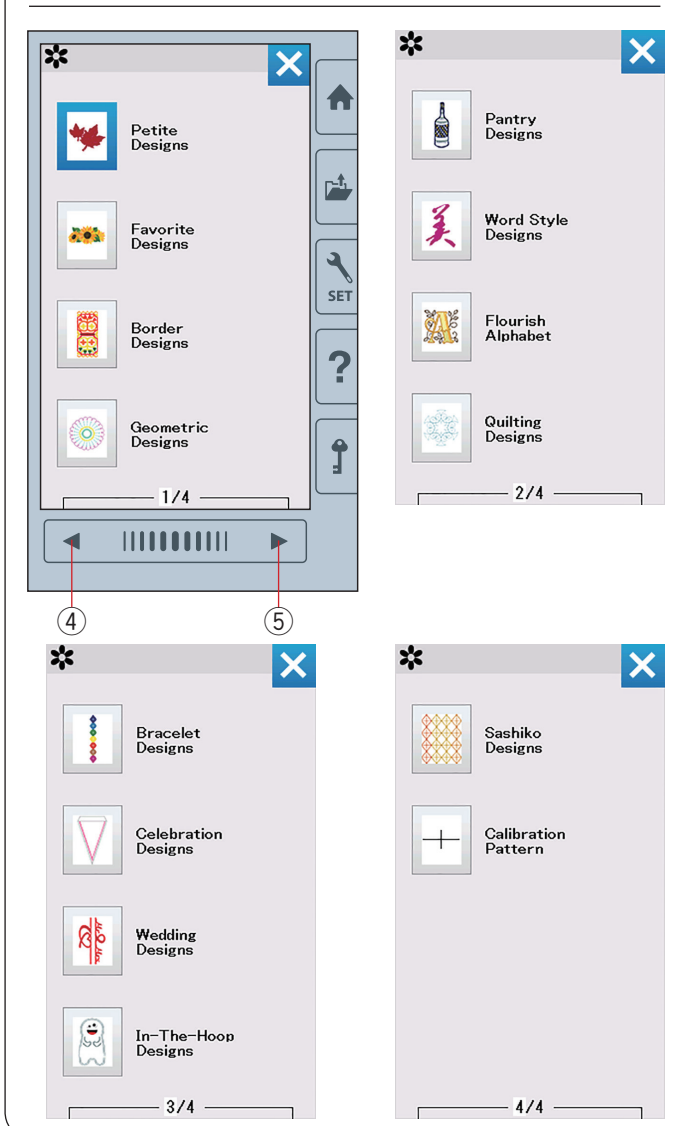
## Selecting Built-in Embroidery Designs

Press the built-in design key and the first page of the design list of Petite Designs will open.

- ① Built-in design key

Press the design category key to browse the design lists by design category, or press the hoop selection key to browse the designs by hoop size.

- ② Design category key
- ③ Hoop selection key



## Design category

Press the design category key ② to show the design lists by category.

Press the previous/next page keys to browse the design lists.

- ④ Previous page key
- ⑤ Next page key

Page 1 of 4

- Petite Designs
- Favorite Designs
- Border Designs
- Geometric Designs

Page 2 of 4

- Pantry Designs
- Word Style Designs
- Flourish Alphabet
- Quilting Designs

Page 3 of 4

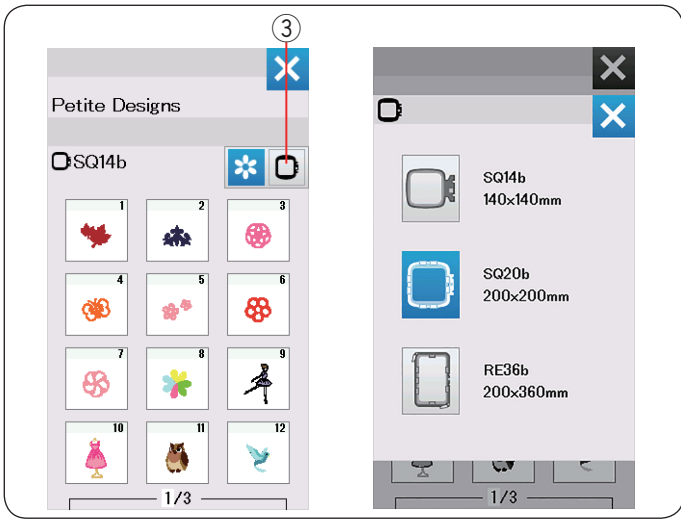
- Bracelet Designs
- Celebration Designs
- Wedding Designs
- In-The-Hoop Designs

Page 4 of 4

- Sashiko Designs
- Calibration Pattern

Press the desired category to select and the pattern selection window will open.

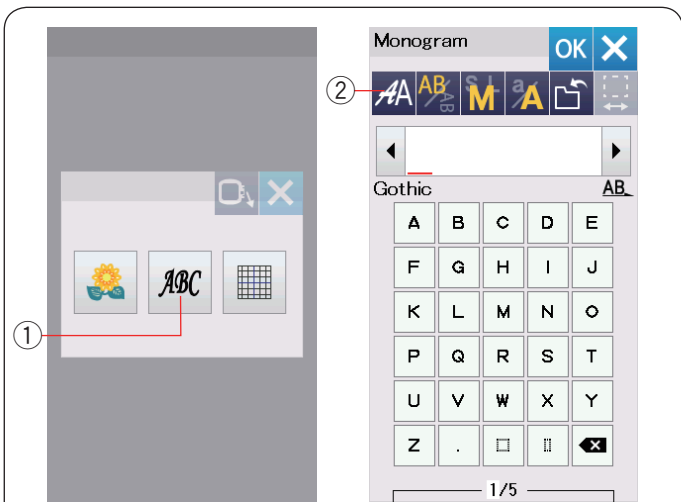
Browse the pattern lists with the previous/next page keys, and select the desired pattern by pressing the pattern icon key.



### Selecting the design by hoop size

Press the hoop selection key ③ and the hoop selection window will open. Select a hoop size the same or smaller than the one you will attach.

Browse the design lists with the previous/next page keys, and select the desired pattern by pressing the pattern icon key.



### Monogramming

Press the monogram key and the monogram window will open.

Press the font selection key to open the font selection window.

- ① Monogram key
- ② Font selection key

You can select one of the 10 fonts for monogramming as well as 2-letter, 3-letter, border patterns and normal sew patterns.

The following fonts and patterns are available:

Page 1 of 2

- Gothic font
- Script font
- Cheltenham font
- Cyrillic 1 font
- Cyrillic 2 font
- Cyrillic 3 font

Page 2 of 2

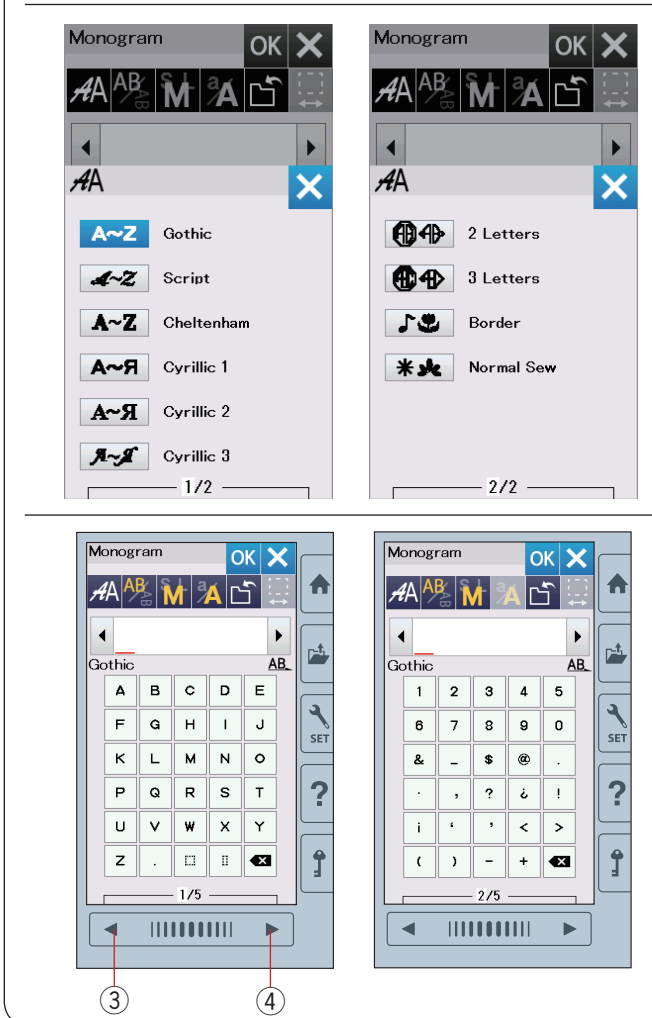
- 2-Letter
- 3-Letter
- Border patterns
- Normal sew patterns

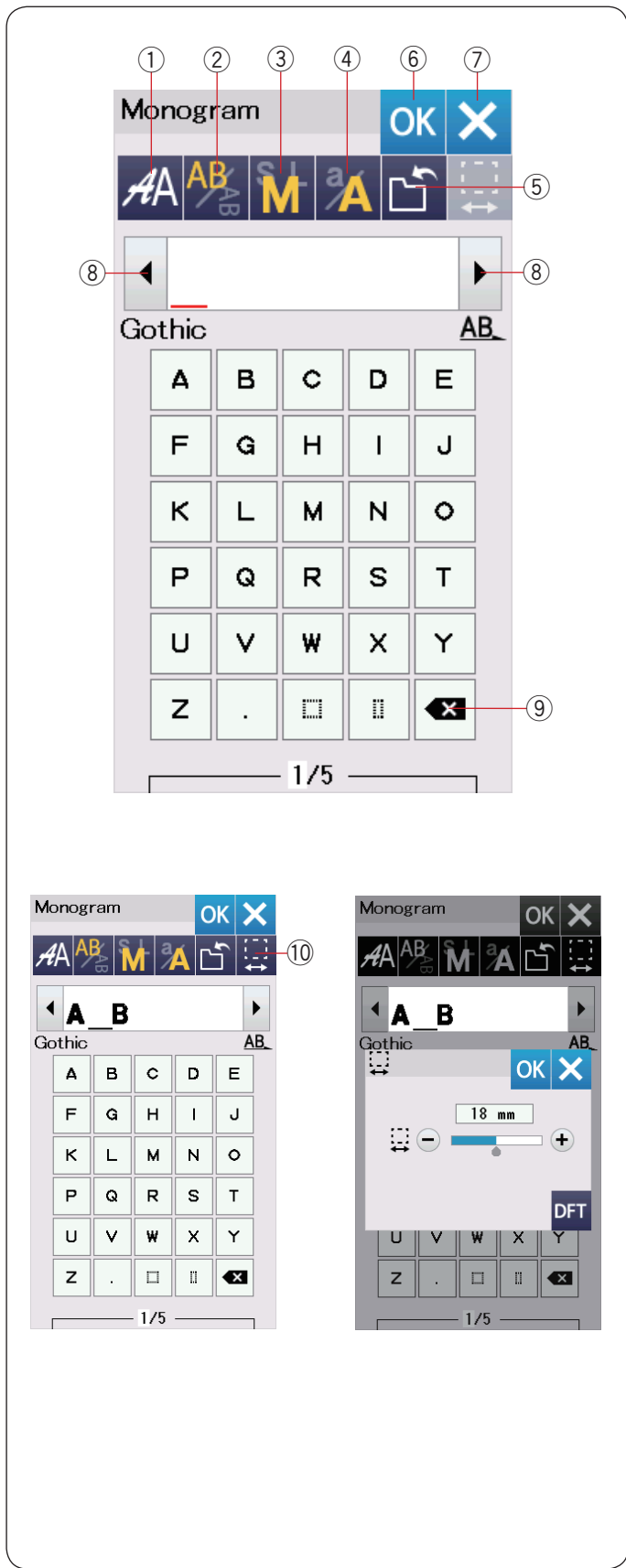
Press the icon key of the desired font and the monogram window will open.

Browse pages with the previous/next page keys.

You can enter alphabet letters, numbers, symbols, Cyrillic and European letters.

- ③ Previous page key
- ④ Next page key

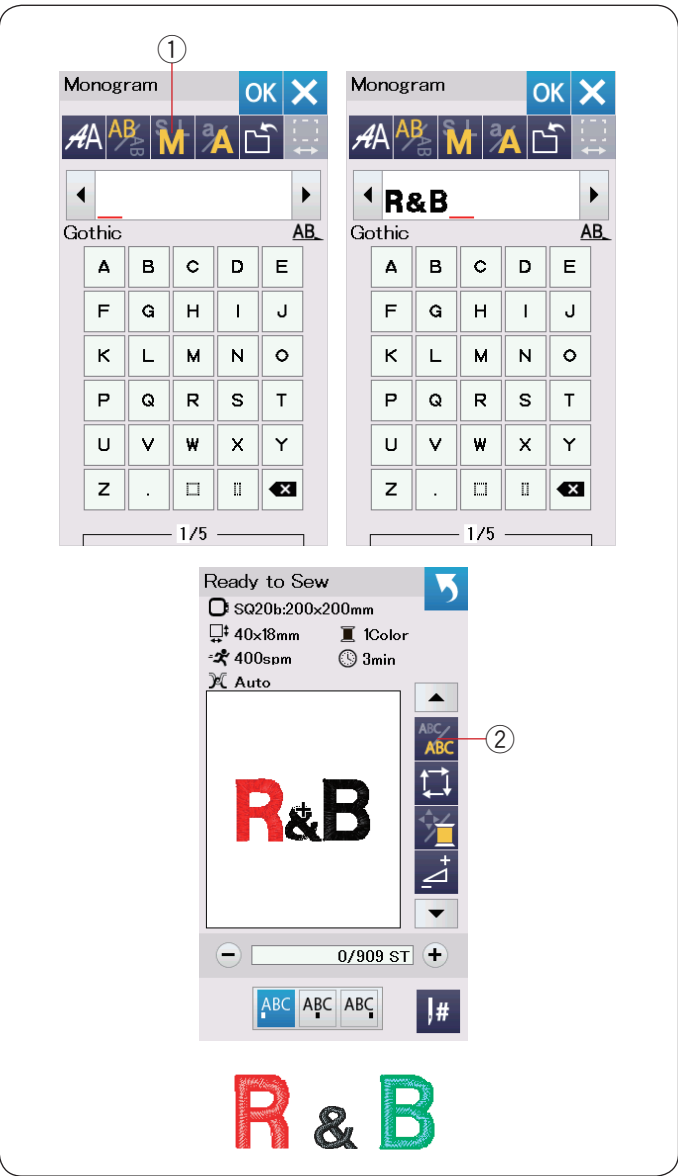




### Function Keys

- ① **Font selection key**  
Press this key to open the font selection window.
- ② **Lettering orientation key**  
Press this key to select the horizontal or vertical orientation.
- ③ **Letter size key**  
You can select the following 3 letter sizes by pressing this key.  
The approximate letter sizes of upper case are as follows:  
  - L (Large):** 30 mm (1.2")
  - M (Medium):** 20 mm (0.8")
  - S (Small):** 10 mm (0.4")
- ④ **Letter case key**  
Pressing this key changes the letter case from upper case to lower case and vice versa.
- ⑤ **Save file key**  
Pressing this key opens the save file window and allows you to save the text or monogram as a file (refer to page 61).
- ⑥ **OK key**  
Press this key to confirm your entry and open the Ready to Sew screen or the previous editing window.
- ⑦ **X key**  
Press this key to exit the monogram entry.
- ⑧ **Cursor key**  
Press these keys to move the cursor to the left or right.
- ⑨ **Delete key**  
Press this key to delete the character above the cursor or the character in front of the cursor.
- ⑩ **Space adjust key**  
This key is activated only when a space is entered.  
If the spaces between characters look uneven, insert a blank space between characters and adjust the space width to justify.  
Press this key to open the space adjustment window.  
To increase the space width, press the "+" key.  
To decrease the space width, press the "-" key.

**NOTE:**  
The space width is shown only in millimeters.



## Programming a Monogram

**Example:** Programming “R&B” in Gothic style font.

Enter “R”, the cursor shifts to the right and “R” is automatically memorized.

Press the letter size key and select small size.

① Letter size key

Enter “&”, the cursor shifts to the right and “&” is automatically memorized.

Press the letter size key and select medium size.

Enter “B”, the cursor shifts to the right and “B” is automatically memorized.

Press the OK key.


The hoop confirmation window will appear.

The screen changes to the Ready to Sew window.

### NOTE:

The hoop confirmation window will not be displayed if the hoop confirmation option is turned off (refer to page 58).

### Color change

You can sew a multi-colored monogram by changing the thread color of each letter if you press the color change key before sewing. The color change key changes to  when the color change function is activated.

The machine will stop automatically when each character has been sewn.


Change the thread to the next color and start sewing again.

② Color change key

### Monogram placement

You can select one of 3 monogram placements: left justify, center justify and right justify.


① Left Justify

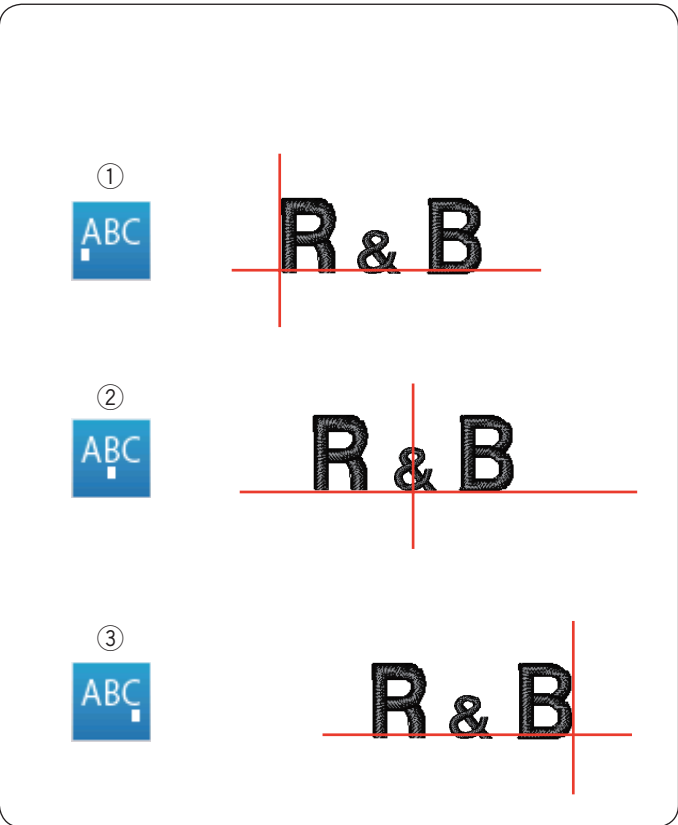
Press the  key to start sewing from the left end reference line on the template.

② Center Justify

Press the  key to sew in the center of the hoop.

③ Right Justify

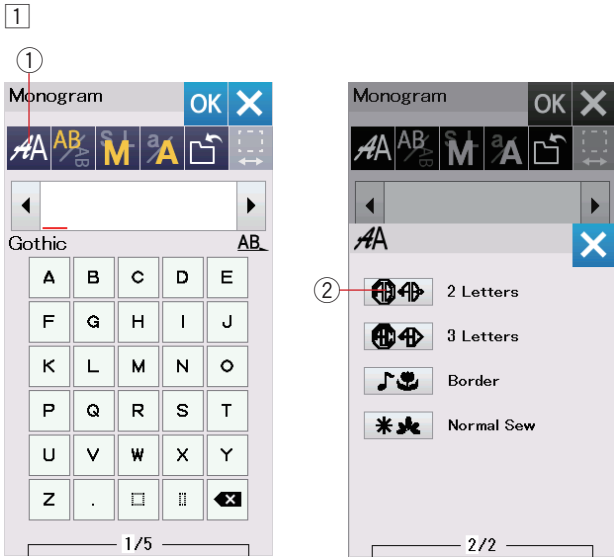
Press the  key to sew from the right end reference line on the template.



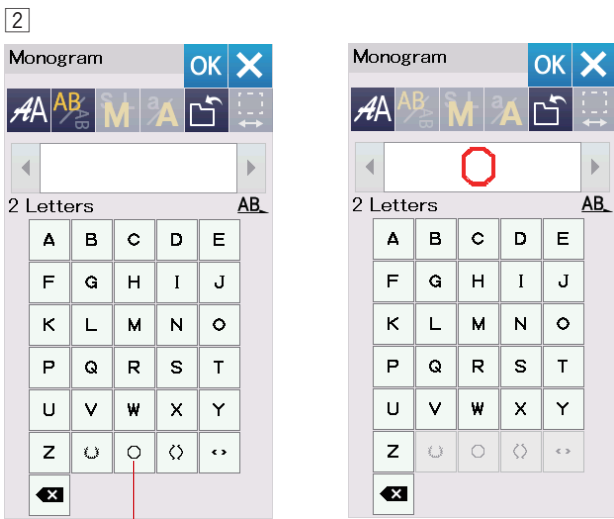
## 2-Letter monogram

**Example:** 2-Letter in an octagon

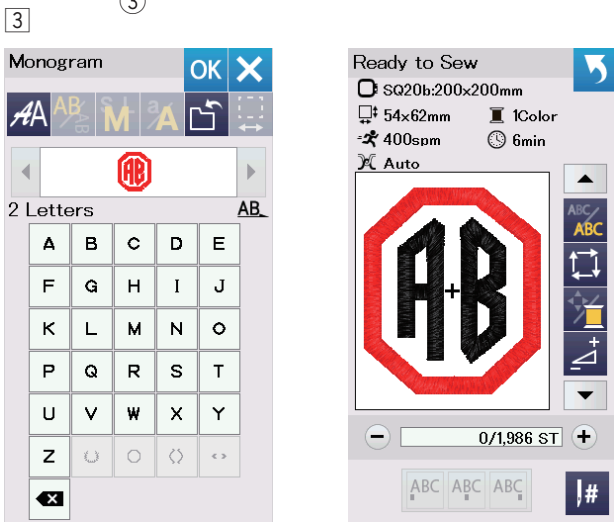
- 1 Press the font selection key ①.  
Select 2-letter ②.



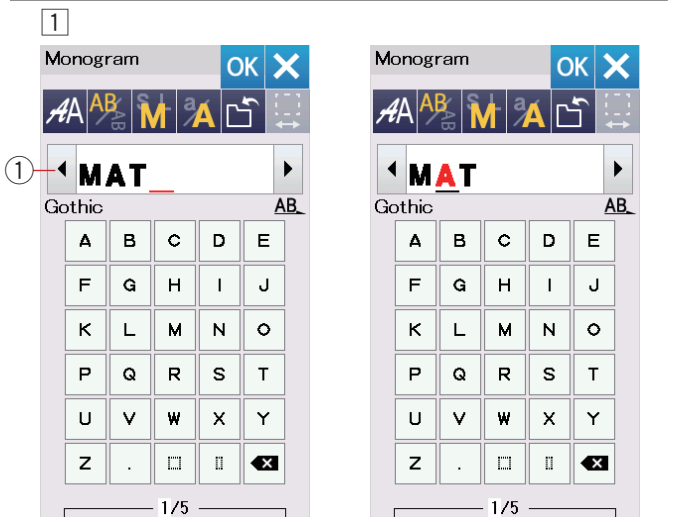
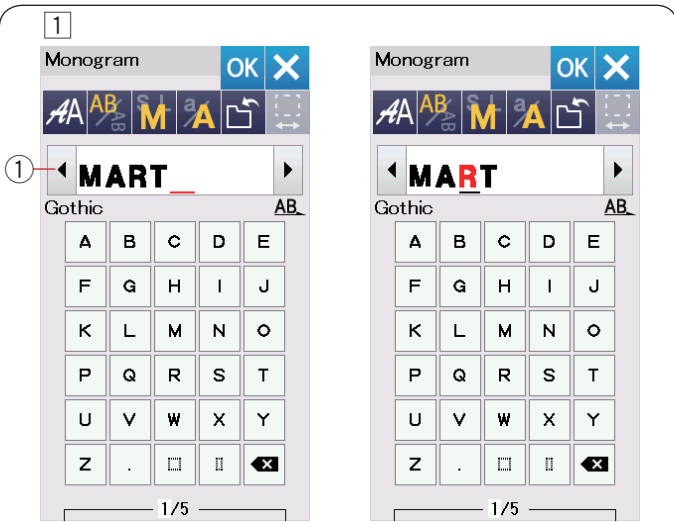
- 2 Select the octagon ③.



- 3 Enter "A" and "B".  
Press the OK key and a warning message will appear.  
Press the OK key and the carriage moves to the starting position.  
The hoop confirmation window will appear.  
Press the OK key.  
The screen changes to the Ready to Sew window.



**NOTE:**  
The 3-letter monogram is sewn in the same way as the 2-letter monogram.  
The monogram placement for the 2-letter and 3-letter monogram is center justify.  
The hoop confirmation window will not be displayed if the hoop confirmation option is turned off (refer to page 58).



## Editing a Monogram

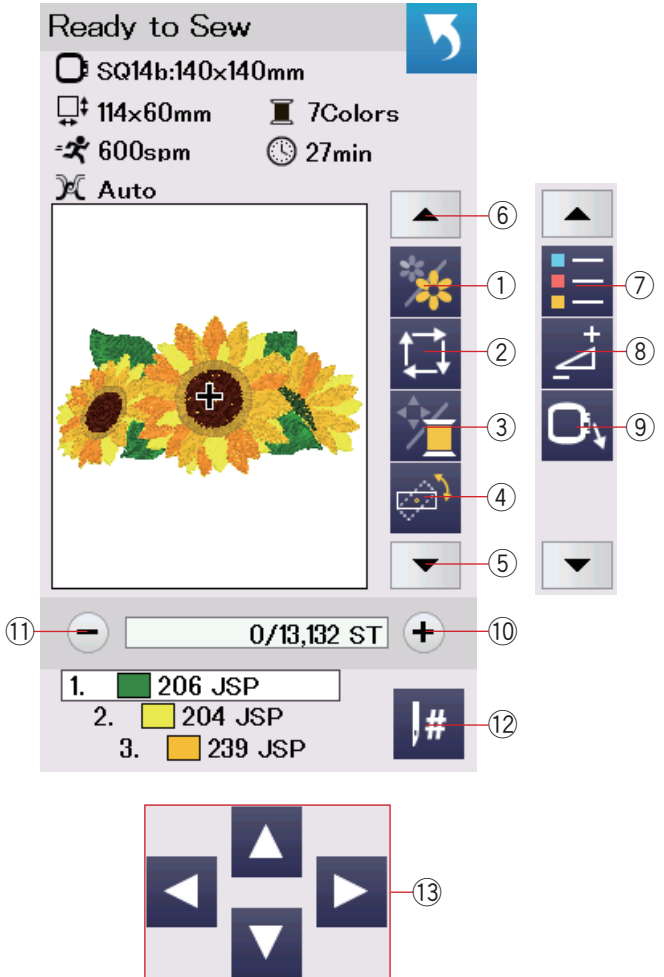
### Deleting a character: Deleting "R" from "MART"

- 1 Press the cursor key ① to move the cursor under "R".
- 2 Press the delete key ② and letter "R" is deleted.

### Inserting a character: Inserting "E" into "MAT"

- 1 Press the cursor key ① to move the cursor under "A".
- 2 Enter "E".  
The letter "E" is inserted before "A".

## Ready to Sew



## Ready to Sew Window

The Ready to Sew window shows embroidery function keys and information on the selected pattern.

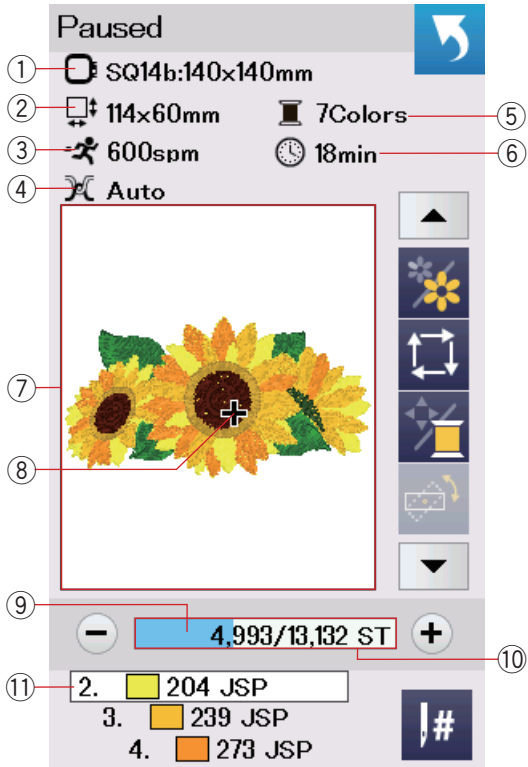
Press the down arrow key (5) or up arrow key (6) to show the next set of function keys (7 to 9).

### Function keys

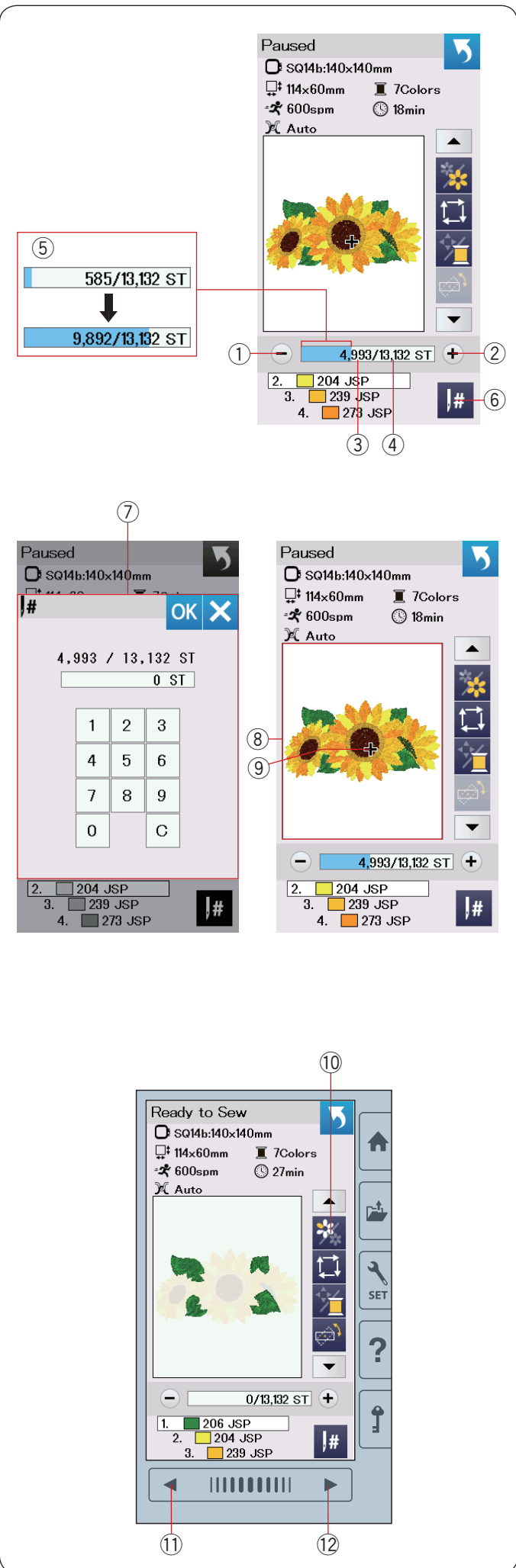
- ① Color section key
- ② Trace key
- ③ Thread color/Jog key
- ④ Fine position/angle adjustment key
- ⑤ Down arrow key
- ⑥ Up arrow key
- ⑦ Color list key
- ⑧ Adjust key
- ⑨ Hoop back key
- ⑩ Stitch forward key
- ⑪ Stitch back key
- ⑫ Jump key
- ⑬ Jog keys

### Pattern information

The visual touch screen displays the following details:



- ① Hoop size
- ② Dimension of the design
- ③ Maximum sewing speed
- ④ Tension setting
- ⑤ Number of thread colors (layers)
- ⑥ Required sewing time
- ⑦ Preview window
- ⑧ Cross mark (current sewing point)
- ⑨ Progress bar
- ⑩ Stitch count
- ⑪ Thread color



### Stitch back/forward keys

Press the “-” key ① to move the hoop back to a previous sewing point.

Press the “+” key ② to move the hoop ahead.

The hoop will move one stitch each time the key is pressed. Hold down the key to travel faster and jump 10, 100 or 500 stitches at a time. The stitch count ③ and the total number of stitch count ④ are displayed in the stitch count window.

You can use these keys to move the embroidery hoop to where the thread has broken or run out.

- ① Stitch back key
- ② Stitch forward key
- ③ Stitch count
- ④ Total number of stitch count

The pale blue bar in the stitch count window is the progress bar. The progress bar ⑤ appears when the stitch count increases, and indicates the progress of the embroidery sewing project. When the project is completed, the progress bar returns to 0.

- ⑤ Progress bar

### Jump key

If you want to jump to the desired sewing point directly, press the jump key ⑥ and the numeric keypad window ⑦ will open. Enter the desired stitch count number and press the OK key.

The hoop moves to the sewing point you entered.

- ⑥ Jump key
- ⑦ Numeric keypad window

### Cross mark

The cross mark ⑨ in the preview window ⑧ indicates the current sewing point. Press the preview window ⑧ to hide the cross mark.

- ⑧ Preview window
- ⑨ Cross mark (Current sewing point)

### Color section key

Press color section key ⑩ to show the complete image of the selected design or partial image of each color section only.

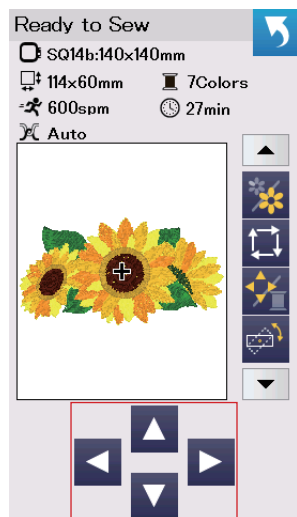
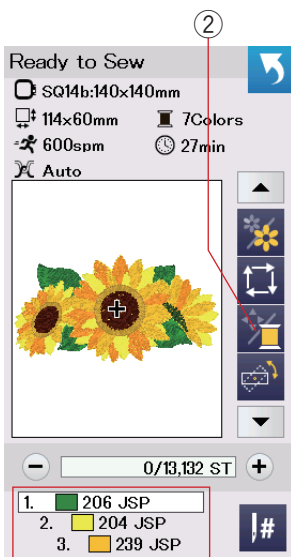
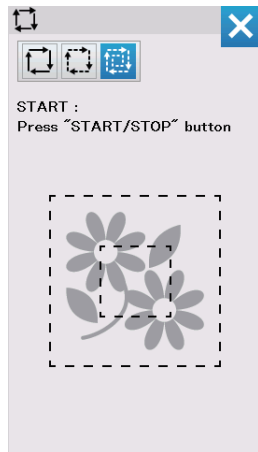
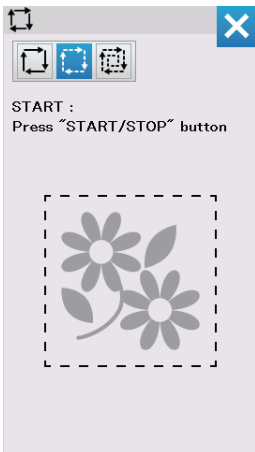
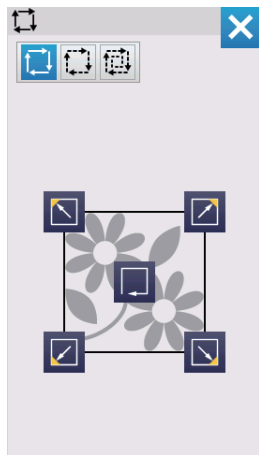
To view the next color section, press the next page key ⑫.

To view the previous color section, press the previous page key ⑪.

If you want to sew the specific color section only, press the next/previous color keys until the desired section is displayed.

- ⑩ Color section key
- ⑪ Previous page key
- ⑫ Next page key





## Trace key


You can check the size of the embroidery area by tracing the pattern outline without stitching or with basting stitches.



Press the trace key and the trace option window will open.

- ① Trace key


The following 3 options are available:

### 1. Trace without stitching

Press the  key to open the trace without stitching window.

Press the trace key  to start tracing or press one of the  keys to move the hoop to a corner.


### 2. Trace and baste (single)

Press the  key to open the trace and baste (single) window.

Lower the presser foot.

Press the start/stop button to start tracing with basting stitches.

### 3. Trace and baste (double)

Press the  key to open the trace and baste (double) window.

Lower the presser foot.

Press the start/stop button to start tracing with basting stitches. First, the machine bastes inside the pattern then traces the pattern outline with basting stitches.

#### NOTE:

The machine will baste around the embroidery area with a 5 mm allowance.

However, the allowance will be null if the pattern spreads over the maximum limit of embroidery area.

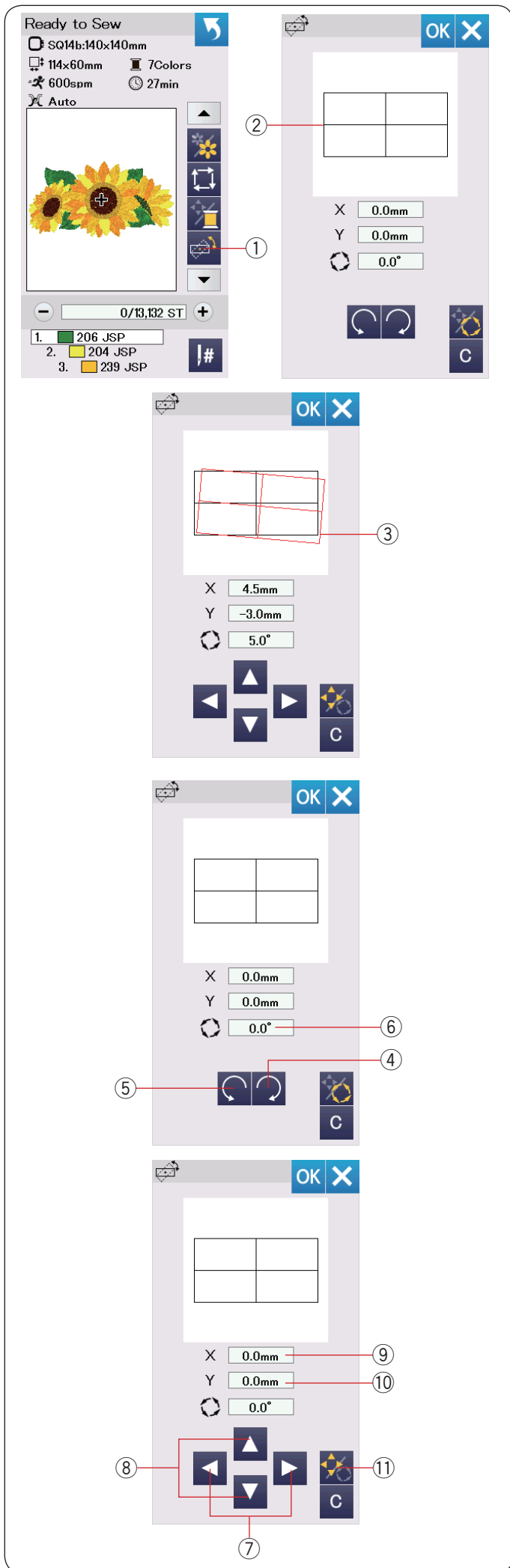
To close the tracing option window, press the X key.

## Thread color/Jog key

Press the thread color/jog key to show or hide the jog keys. The thread color list of the selected design is displayed when the jog keys are hidden.

Adjust the hoop position with the jog keys so that the needle position comes right above the center of the reference lines on the fabric.

- ② Thread color/Jog key
- ③ Thread color list
- ④ Jog keys



### Fine position/angle adjustment key

You can make fine adjustments to the position or angle of the embroidery design without removing the embroidery hoop from the machine.

Press the fine position/angle adjustment key ①.

The original embroidery design position is previewed as a black rectangle ②.

The red rectangle ③ appears when you make fine adjustments to the embroidery design, and it shows the difference between the original position and the adjusted position.

### Rotating a design

You can make fine adjustments to the angle of the embroidery design.

Press the key ④ to rotate the design 0.5 degrees clockwise.

Press the key ⑤ to rotate the design 0.5 degrees counterclockwise.

The angle value is displayed in the window ⑥.

**NOTE:**

The angle of an embroidery design can be adjusted from -5.0 to 5.0 degrees.

The angle of the embroidery design cannot be adjusted to exceed the sewing area.

### Moving a design

You can make fine adjustments to the position of the embroidery design.

Press the angle/move key ⑪.

The jog keys appear on the screen.

Press the or key ⑦ to move the design 0.5 mm right or left (X window ⑨).

Press the or key ⑧ to move the design 0.5 mm forward or backward (Y window ⑩).

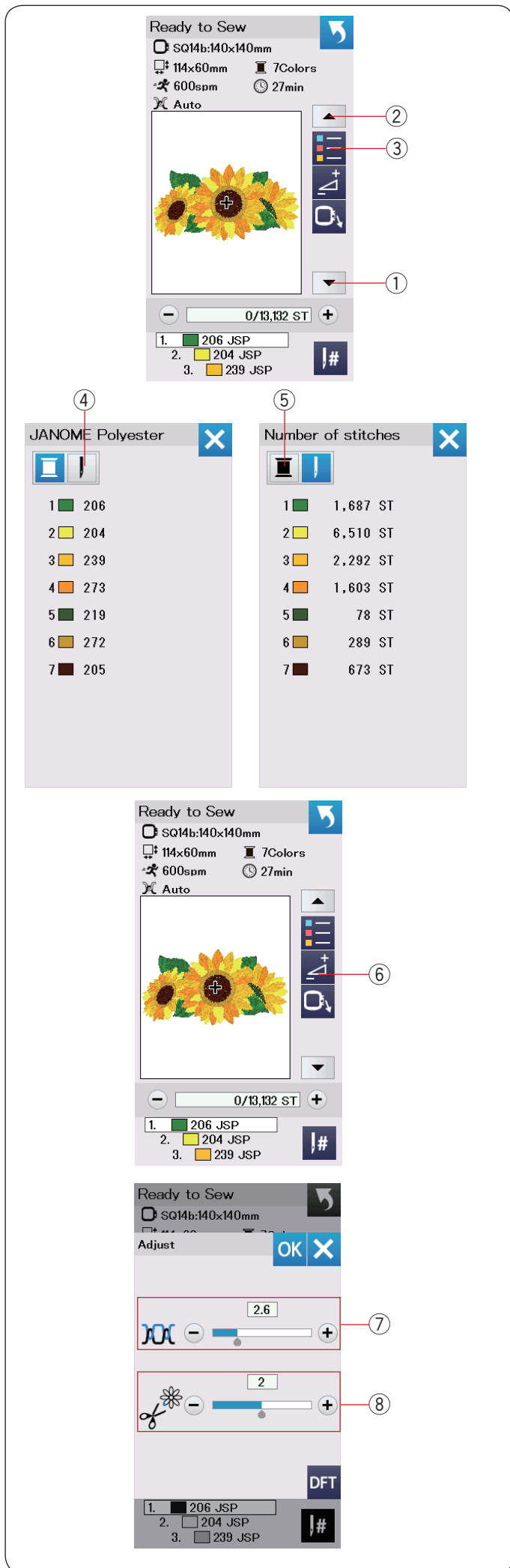
The moving distance from the original position is shown as coordinates in the X and Y windows.

**NOTE:**

The position of an embroidery design can be fine adjusted from -5.0 mm to 5.0 mm.

The position of the embroidery design cannot be adjusted to exceed the sewing area.

The moving distance from the original position is shown only in millimeters.



### Color list key

Press the down arrow key ① or up arrow key ② to show the next set of function keys.

Press the color list key ③ to view a list of thread colors employed in the selected design.

Press the stitch number key ④ to view a number of stitches for each color in the selected design.

Press the spool key ⑤ to view a list of thread colors employed in the selected design.

### Adjust key

Press the adjust key to open the manual setting window. You can adjust the following settings in this window.

⑥ Adjust key

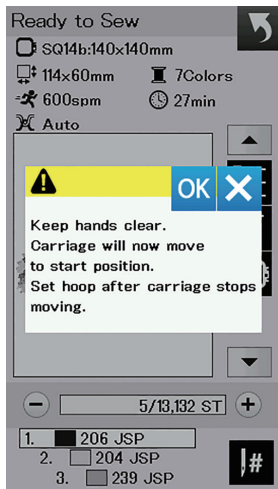
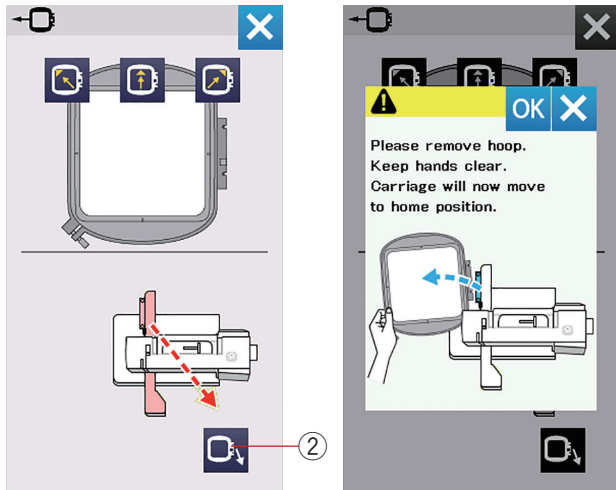
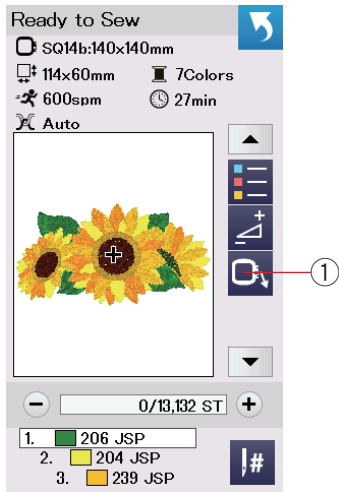
### ⑦ Auto thread tension level

Press the “+” or “-” key to adjust the thread tension to your preference.

### ⑧ Cutting the tails of jump threads

This option can be used when the “jump thread cutting length” setting or “cutting command” is activated (refer to page 59).

Press the “+” or “-” key to adjust the tail length of jump thread.







## Hoop back key

Turn the handwheel toward you to raise the needle at its highest position if the needle is in down position.

Raise the presser foot.

Press the hoop back key ① and hoop back option window will open.

Press the  key ② and the confirmation window open.

Press the OK to move the carriage back to the home position and return to the Ready to Sew screen. Press one of the    keys to move the carriage to a standby position.

Press the X key to close the hoop back option window.

② Hoop back key

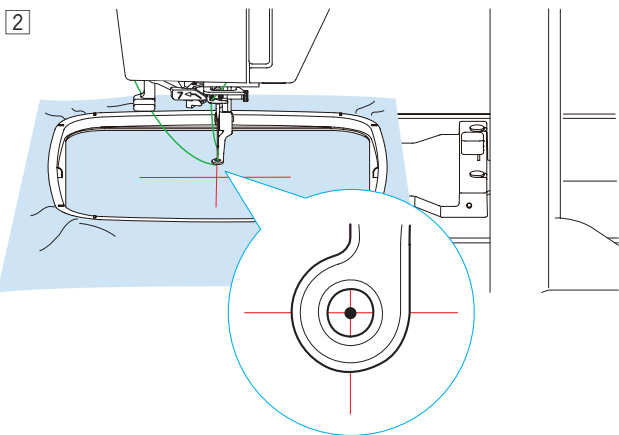
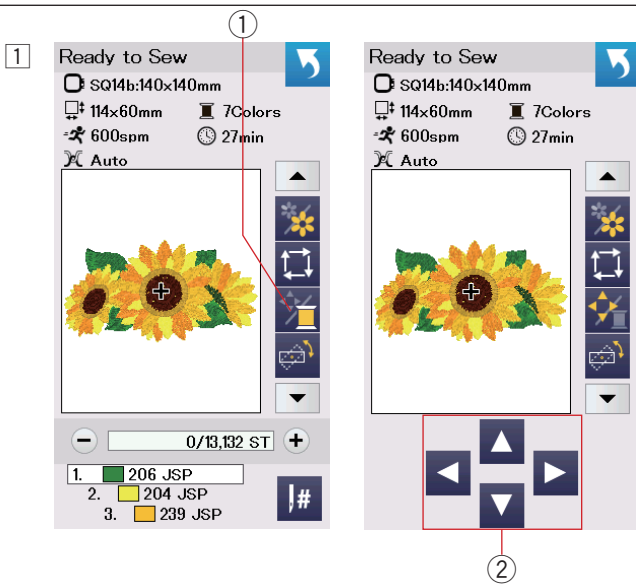
Press the start/stop button.

The caution message appears.

Press the OK key and the hoop will go back to the original position.

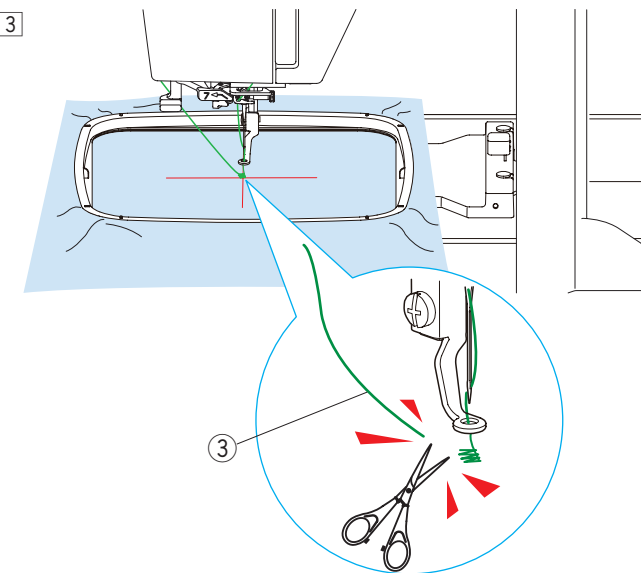
## Starting to Sew Embroidery

- 1 Select the desired pattern.  
Press the thread color/Jog key ①. The jog keys appear.



- 2 Adjust the hoop position with the jog keys so that the needle position comes right above the center of the centerlines on the fabric.

② Jog keys



- 3 Press the start/stop button and sew 5 to 6 stitches.  
Press the start/stop button again to stop the machine.

Cut the loose thread close to the beginning of the starting point.

③ Loose thread

Press the start/stop button to start sewing again.  
The machine will stop (and trim the threads if the auto thread cutting is activated) automatically when the first color section is finished.

Change the thread to the next color and sew the next section.

You can adjust the sewing position with the jog keys during the sewing if necessary.

Press the start/stop button to stop the machine.

Press the jog keys to move the hoop to the desired position. Press the start/stop button again to continue sewing.

### NOTE:

The needle drop position will resume the original position after all the color sections are finished.

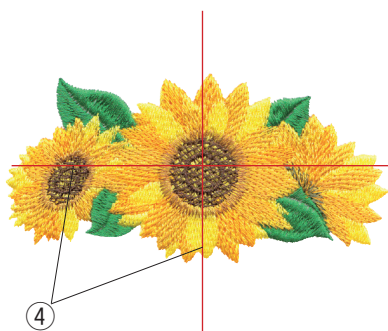
### Sewing results

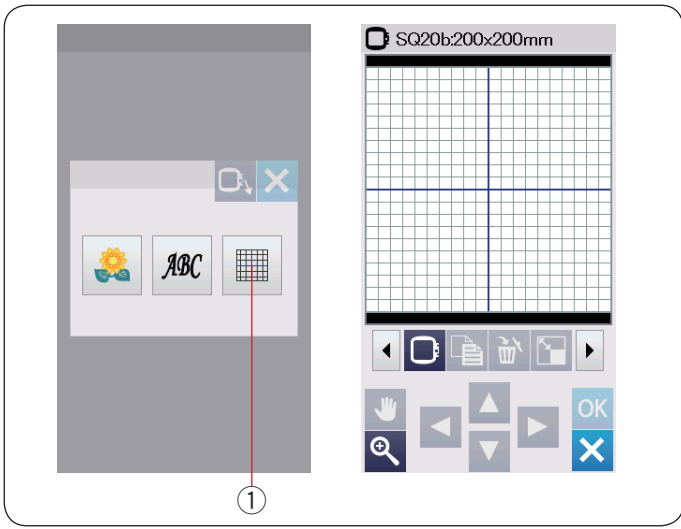
The embroidery pattern is sewn above the centerlines on the fabric as shown.

④ Centerlines on the fabric

### NOTE:

Refer to page 59 for how to set auto thread cutting.



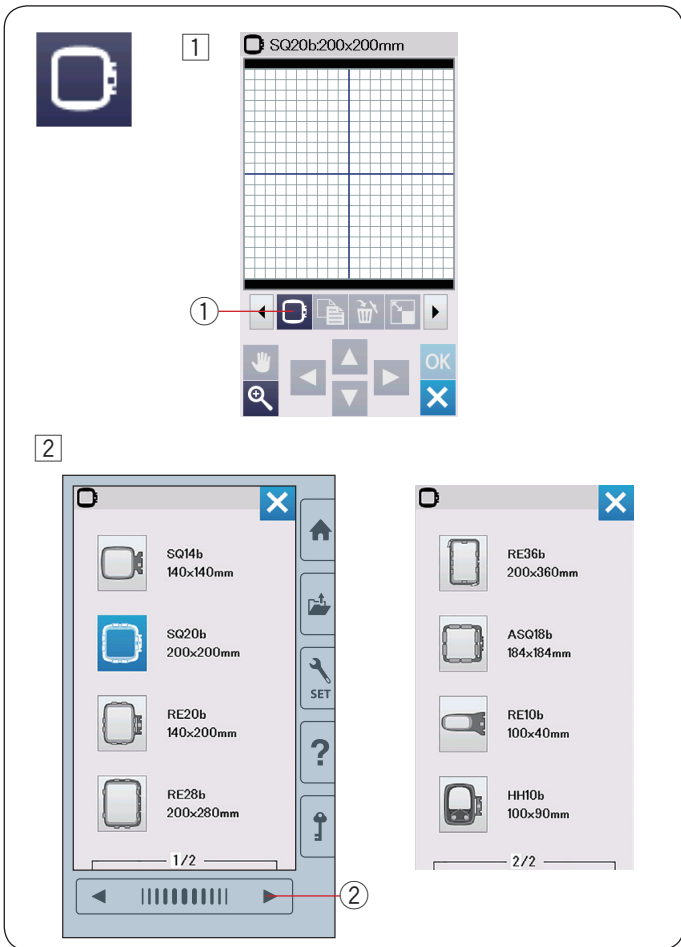


### Editing Mode

In the editing mode, you can edit and combine patterns to create original embroidery designs.

Press the editing mode key ① and the editing window for the hoop SQ20b will open.

- ① Editing mode key



### Selecting a hoop size

You can select other hoop sizes.

- ① Press the hoop selection key ① and the hoop selection window will open.

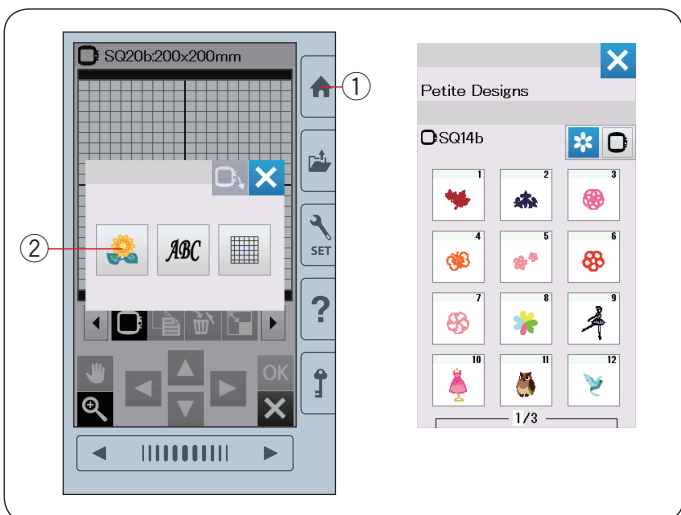
- ① Hoop selection key

- ② Press the next page key ② to show the other hoops. Press the hoop icon key to select the desired hoop. The screen will return to the editing window.

- ② Next page key

#### NOTE:

- In the editing mode, you cannot select patterns larger than the size of the selected hoop.
- Some of the hoops are not included with the machine.



### Opening the embroidery designs

You can open the built-in designs, monogram, and designs from the USB flash drive in the editing window.

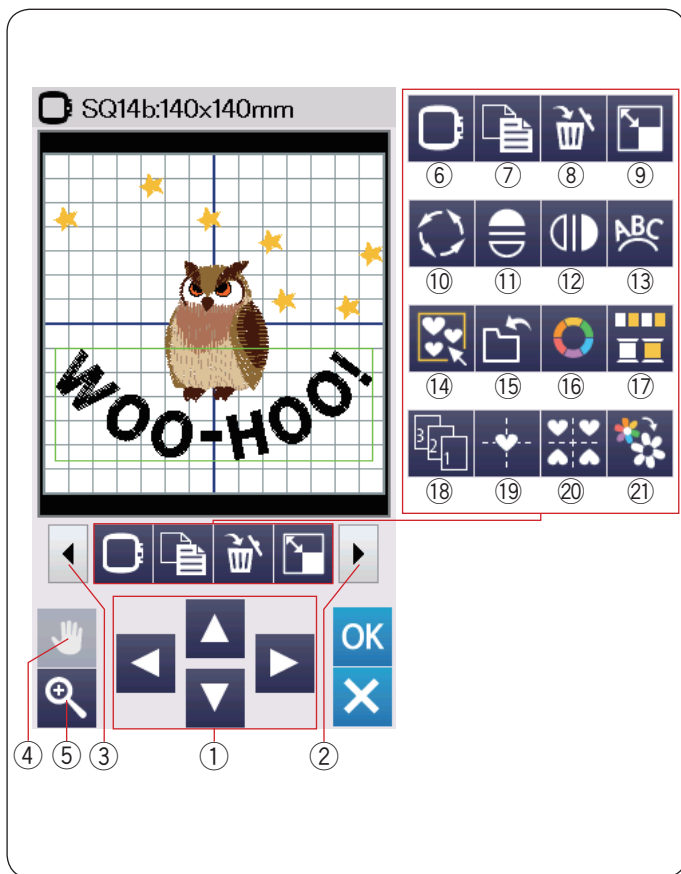
To open design patterns, press the home key ①.

Press the built-in design key ②.

Select the desired pattern from the design lists (refer to pages 73-80).

- ① Home key

- ② Built-in design key

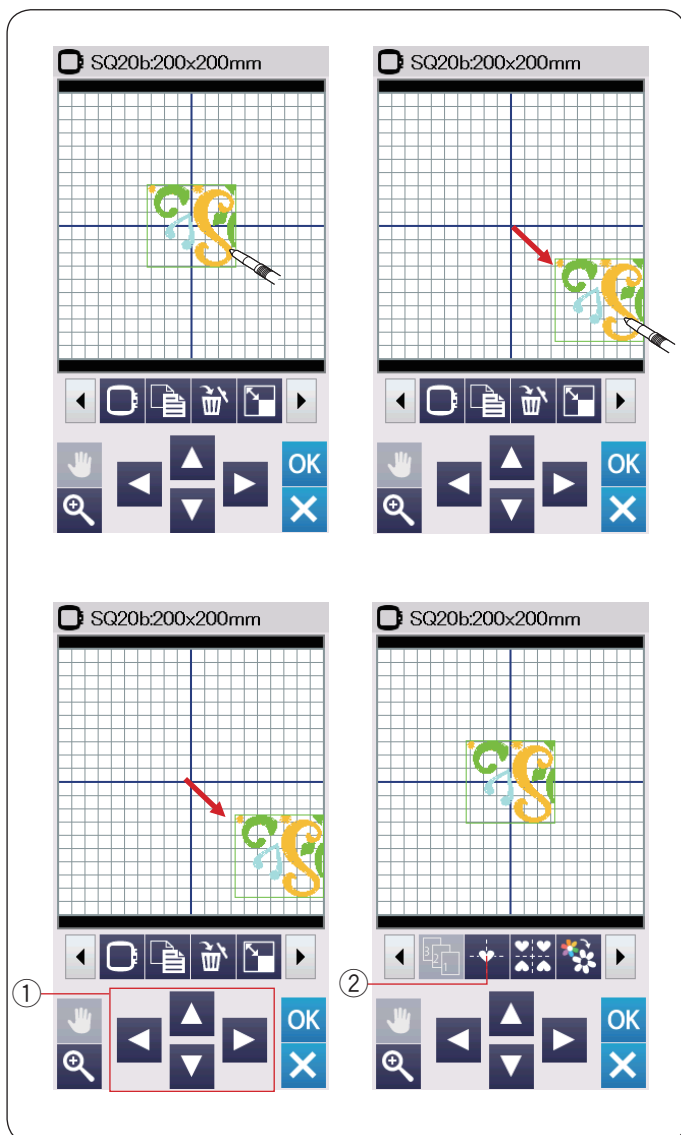


### Editing tool bar information

The editing tool bar contains the following keys as shown.

Press the next set key ② to show the next set of editing tools. Press the previous set key ③ to show the previous set of editing tools.

- ① Layout keys
- ② Next set key
- ③ Previous set key
- ④ Scroll key
- ⑤ Zoom key
- ⑥ Hoop selection key
- ⑦ Duplicate key
- ⑧ Delete key
- ⑨ Resize key
- ⑩ Rotate key
- ⑪ Horizontal mirror image key
- ⑫ Vertical mirror image key
- ⑬ Arc key
- ⑭ Group key
- ⑮ Save file key (refer to page 61)
- ⑯ Custom color key
- ⑰ Color group key
- ⑱ Sewing order key
- ⑲ Center position key
- ⑳ Corner layout key
- ㉑ Single color sewing key



### Selecting a pattern

To select the pattern to edit, press on the pattern image in the editing window.

The green frame appears around the selected pattern.

### Moving a pattern

To move the embroidery pattern in the editing window, press and drag the pattern to a desired location with the touch panel stylus or your fingertip.

#### NOTE:

Do not drag the pattern on the screen with a sharp pointed object.

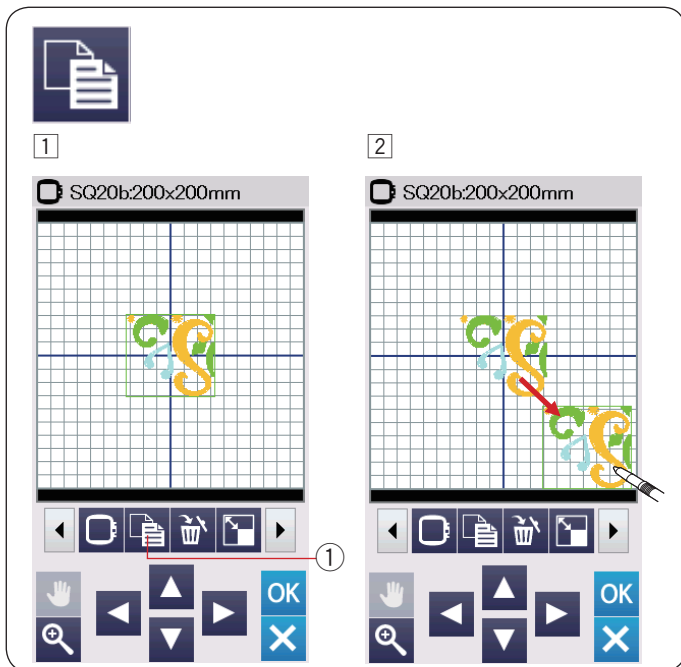
You can move the selected pattern also by pressing the layout keys.

Press the layout keys ① to move the pattern to the desired position in the editing window.

Press the center position key ② to move the pattern to the center of the editing window.

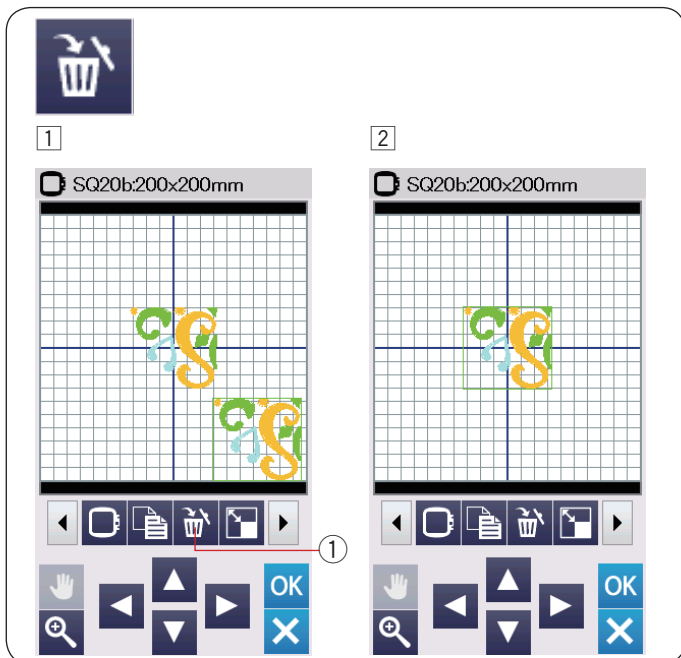
- ① Layout keys
- ② Center position key

The carriage will not move when you press the layout keys since the pattern position will move relative to the hoop, not to the machine.



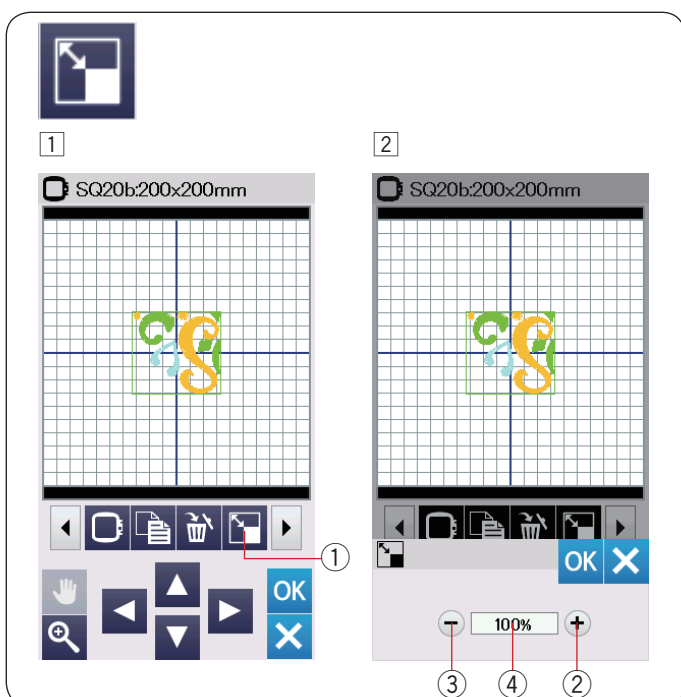
### Duplicating a pattern

- 1 Press the duplicate key to make a copy of the selected pattern.
  - ① Duplicate key
- 2 The duplicated pattern will be copied over the original pattern. Move the duplicate to show the original pattern.



### Deleting a pattern

- 1 Press on the pattern to delete.
  - ① Delete key
- 2 Press the delete key to delete the selected pattern.



### Resizing a pattern

- 1 Press the resize key to open the resize option window.
  - ① Resize key
- 2 You can change the embroidery pattern size from 80% to 120% of the original size.
 

Press the “+” key ② to enlarge the pattern size.

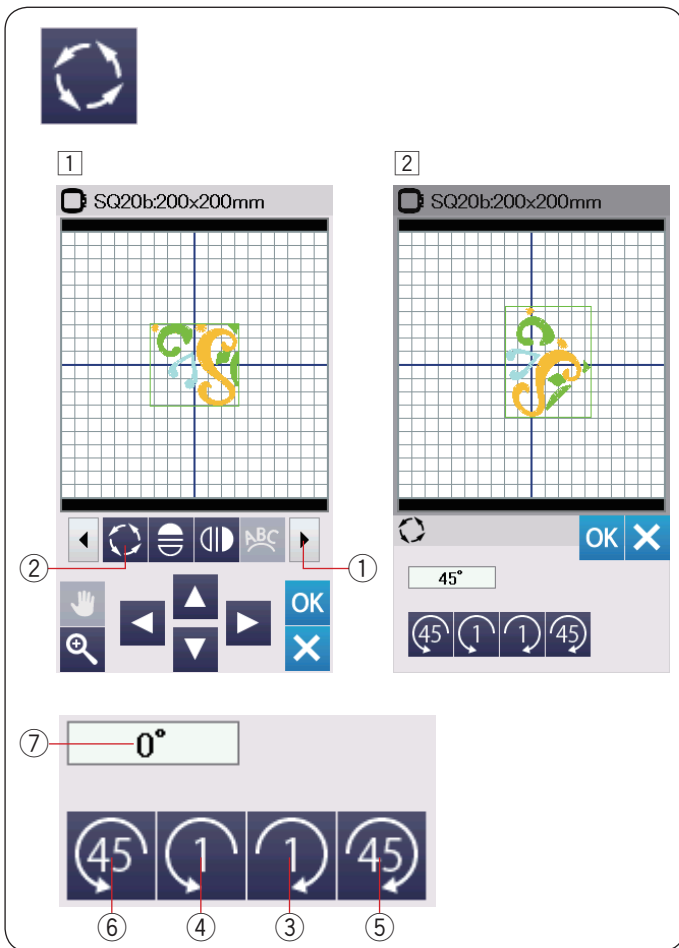
Press the “-” key ③ to reduce the pattern size.

The size will change 1% each time you press the “+” or “-” key. To change the size quickly, press and hold the “+” or “-” key.

The scale of a resized pattern will be displayed in percentage ④.

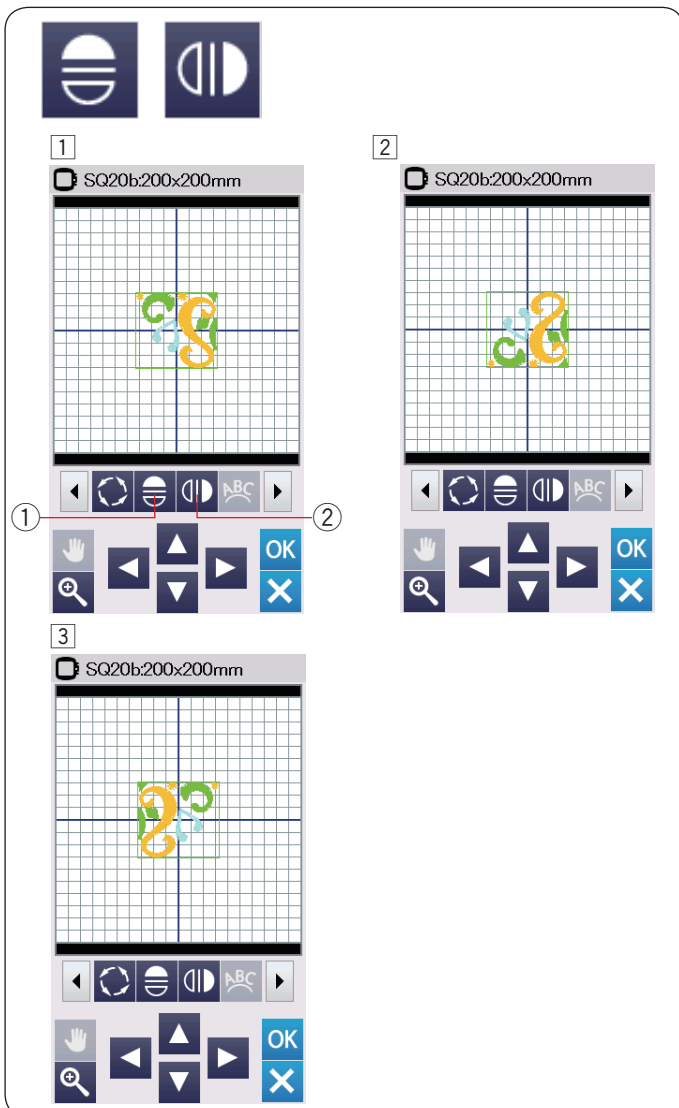
Press the OK key to confirm the new size.





### Rotating a pattern

- 1 Press the next set key ① to show the next set of editing tools.  
Press the rotate key ② to open the rotation option window.  
② Rotate key
- 2 Press the ④ key ③ to rotate the selected pattern 1 degree clockwise.  
Press the ④ key ④ to rotate the selected pattern 1 degree counterclockwise.  
Press the ④ key ⑤ to rotate the selected pattern 45 degrees clockwise.  
Press the ④ key ⑥ to rotate the selected pattern 45 degrees counterclockwise.  
The angle of a rotated pattern is displayed in the window ⑦.  
Press the OK key to confirm.



### Flipping a pattern

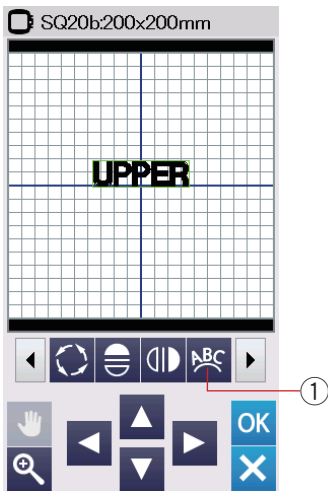
- 1 Press the vertical or horizontal mirror image key.  
① Horizontal mirror image key  
② Vertical mirror image key
- 2 Press the ① key ① to create the horizontal mirror image of a selected pattern.
- 3 Press the ② key ② to create the vertical mirror image of a selected pattern.



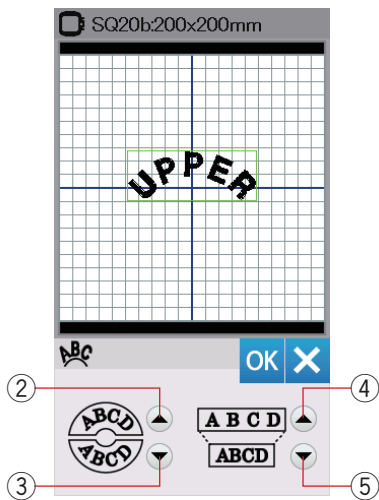
1



2



3



## Monogramming in an arc

In the editing mode, you can make a monogram in an upper or lower arc.

1 Enter the characters and press the OK key.

2 The entered characters are displayed in the editing window.

Press the arc key and the arc layout window will open.

1 Arc key

3 Press the upper arc key 2 to make an upper arc.

Press the lower arc key 3 to make a lower arc.

Press the enlarge key 4 to make an arc longer.

Press the shorten key 5 to make an arc shorter.

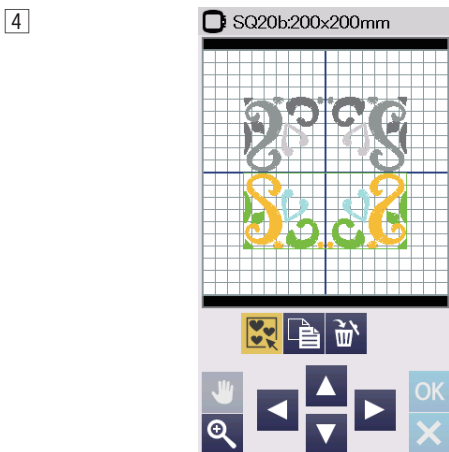
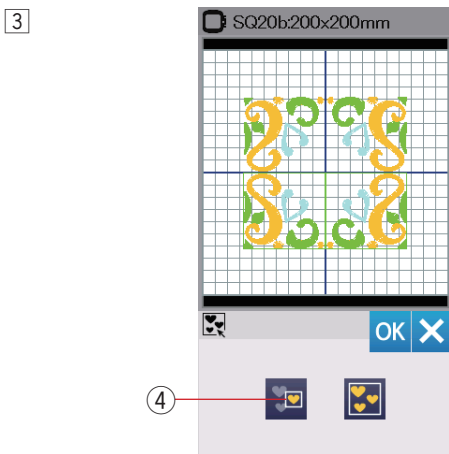
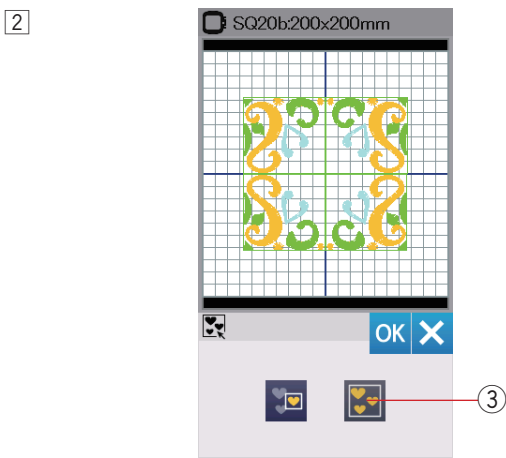
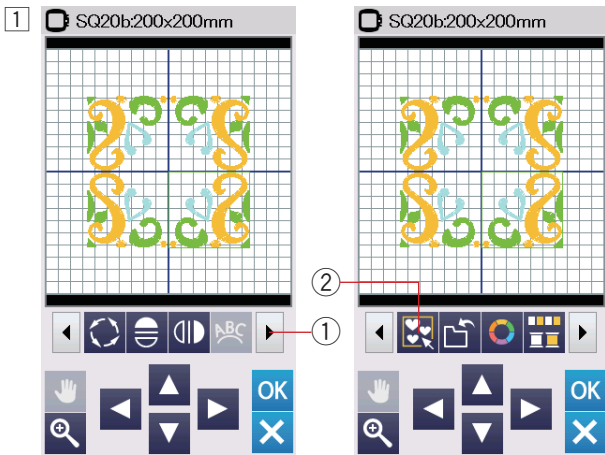
Press the OK key to confirm.

2 Upper arc key

3 Lower arc key

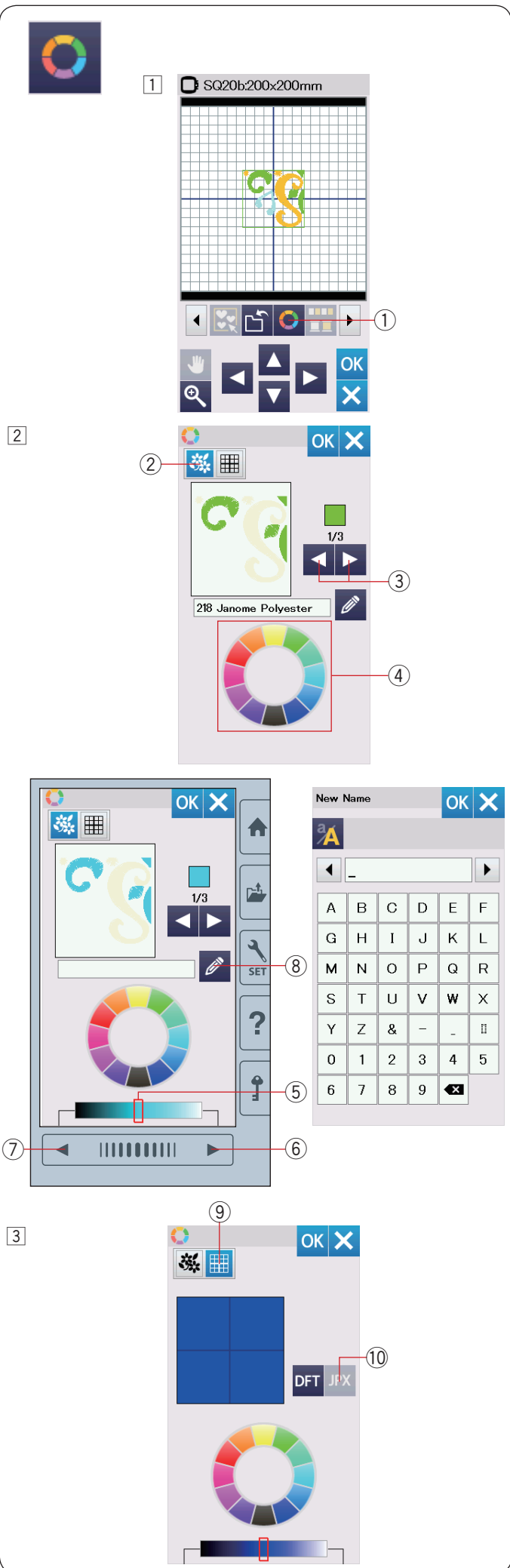
4 Enlarge key

5 Shorten key



## Grouping patterns

- 1 You can group patterns together.  
Press the next set key ① to show the next set of editing tools.  
Press the group key ② and the grouping option window will open.
  - ① Next set key
  - ② Group key
  
- 2 Press the group all key ③ and press the OK key to group all the patterns in the editing window.
  - ③ Group all key
  
- 3 If you wish to group the selected patterns only, press the group select key ④.  
Select the desired patterns by pressing on the pattern images.  
Press the selected pattern again to deselect the pattern.  
Press the OK key to group the selected patterns.
  - ④ Group select key
  
- 4 The grouped patterns can be moved and duplicated as a unit.  
When grouping the selected patterns only, the rest of the patterns are grayed out and cannot be selected.  
To ungroup the patterns, press the group key again.



## Customizing the display colors

You can simulate the colors of the actual fabric and threads on the screen by customizing the colors of the design image and editing window.

- 1 Press the custom color key and the custom color window will open.

① Custom color key

- 2 If you wish to change the color of the design pattern, press the design color key.

Press the scroll keys until the desired section is displayed in the preview window.

② Design color key  
③ Scroll keys

To select the hue, press one of the 12 color tiles.

④ Color tiles

To change the shade of the selected color, press next page key, previous page key, or drag the slider to the left or right.

⑤ Slider  
⑥ Next page key  
⑦ Previous page key

You can assign a name to the customized color for the color section by pressing the name key.

The assigned name will be displayed instead of the name and code of the thread color in the embroidery window.

⑧ Name key

- 3 To change the background color, press the background color key and select the desired color.

To select the hue, press one of the 12 color tiles.

To change the shade of the selected color, press the next page key, the previous page key, or drag the slider to the left or right.

⑨ Background color key

### NOTE:

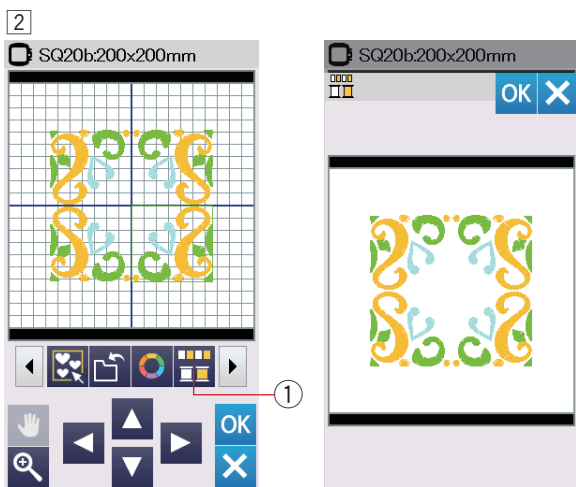
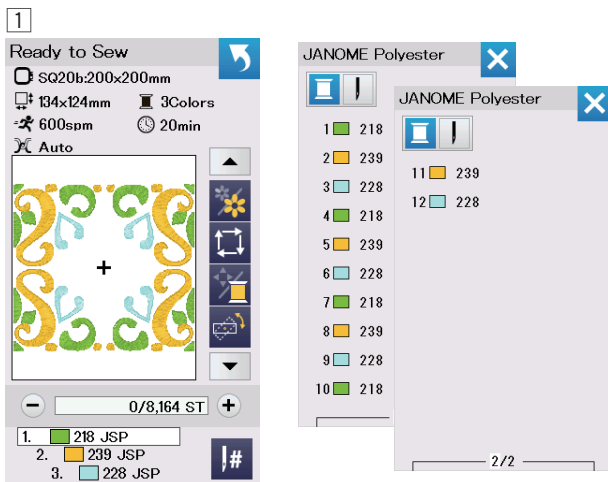
If a design in \*.JPX format has a background image, you can display the background image in the editing window by pressing the background image key.

⑩ Background image key

## Color grouping

When combining duplicated patterns, you can reduce the number of color sections with color grouping.

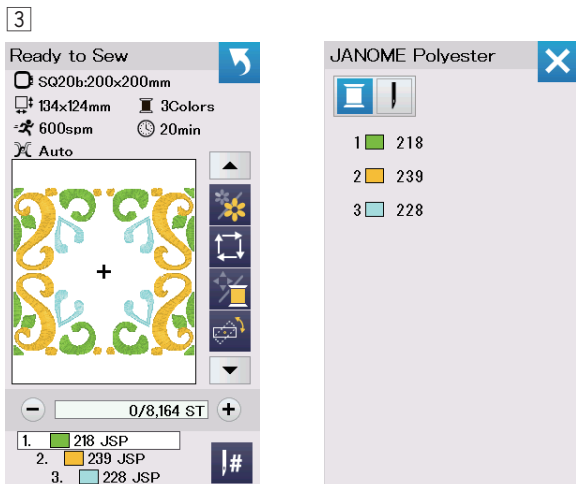
- 1 For example, the combined design pattern created on page 45 has 12 color sections.



- 2 Press the color group key ① and the color grouping window will open.

Press the OK key to unite all color sections of the same color and the Ready to Sew window opens.

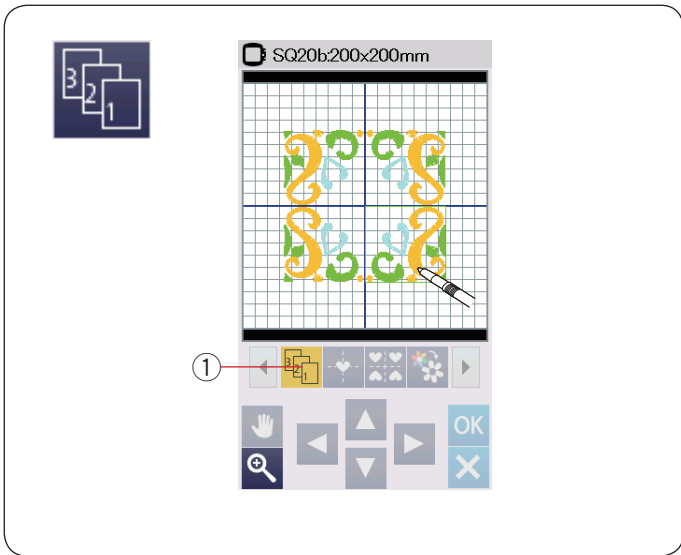
- ① Color group key



- 3 The number of color sections is reduced to 3.

### NOTE:

Color grouping will be cancelled when returning to the editing window.



### Sewing order

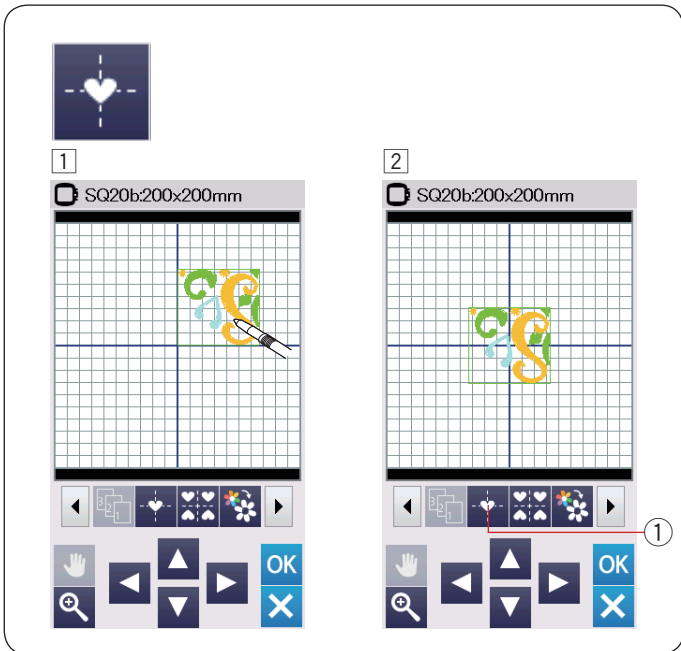
You can change the sewing order of a pattern combination.

Press the sewing order key ① and press on the images of the pattern one by one.

The patterns will be sewn in the order you press on the images.

Press the sewing order key ① again to return to the previous screen.

- ① Sewing order key



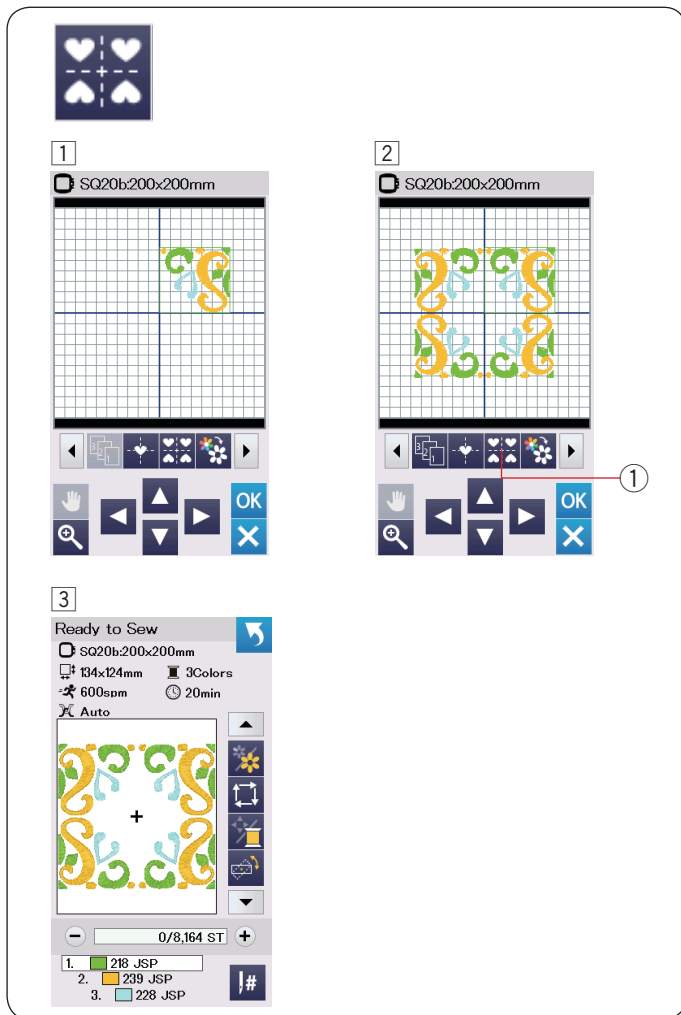
### Center positioning

You can move the selected pattern to the center position.

1 Press on the pattern to move.

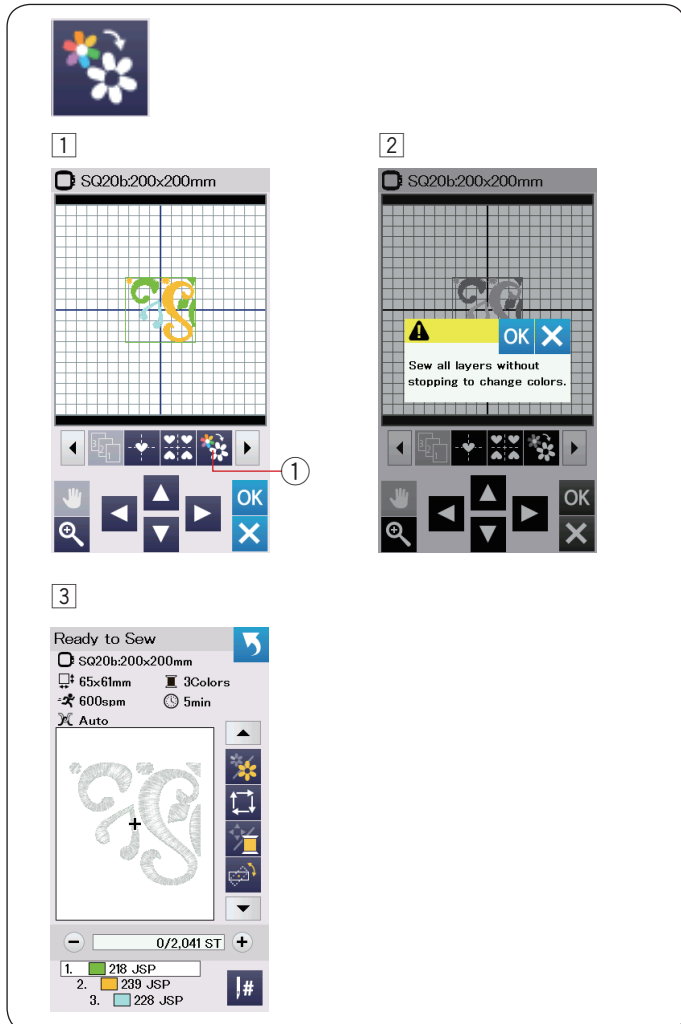
2 Press the center position key ① to move the selected pattern to the center position.

- ① Center position key



### Creating a square frame

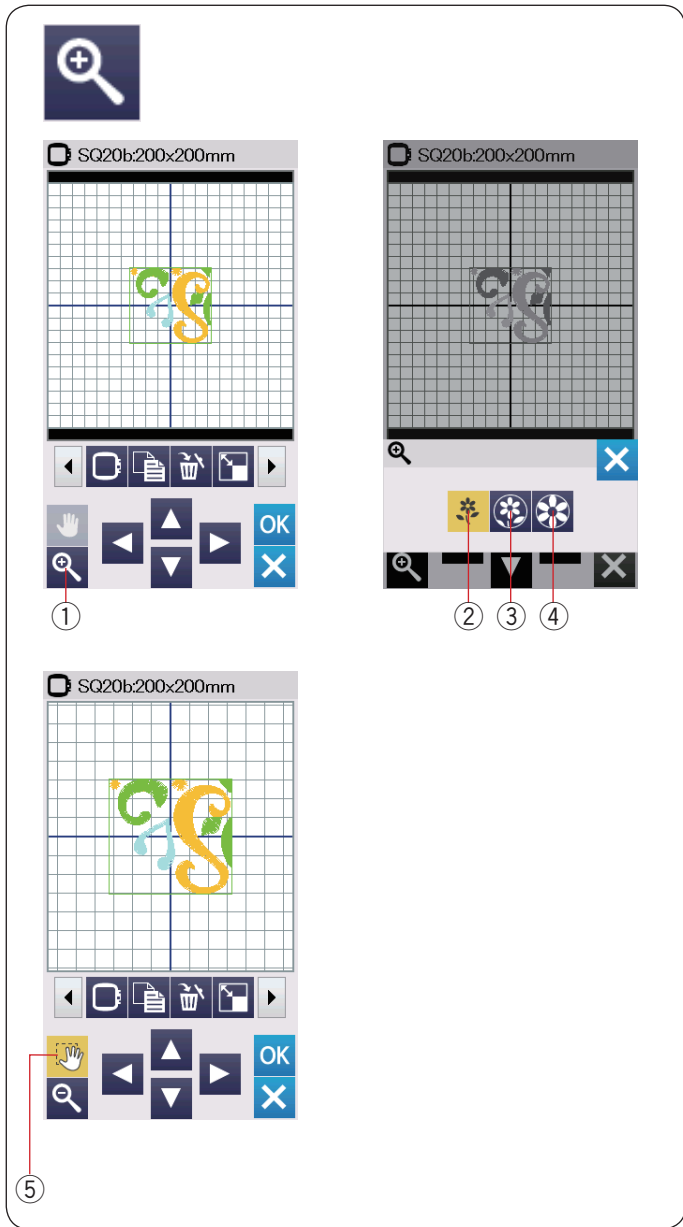
- 1 Select pattern Geometric Design SQ14B-56.  
Move the design up and to the right.
- 2 Press the corner layout key.  
The pattern will automatically be copied and placed symmetrically into 4 corners.  
Press the OK key.
  - ① Corner layout key
- 3 The Ready to Sew window will open.



### Single color sewing

If you want to sew a pattern or a pattern combination in one color only, press the single color sewing key ①. The machine will not stop until the entire design is sewn.

- 1 Press the single color sewing key ①.
- 2 Press the OK key.
- 3 The design(s) will be displayed in gray.  
Press the start/stop button to start single color sewing.  
The design will be sewn without stopping for color change.



### Zooming in the editing window

Press the zoom key to open the zoom in/out window.

Select the view size from normal, large or largest by pressing one of the view size keys.

- ① Zoom key
- ② Normal view size key
- ③ Large view size key
- ④ Largest view size key

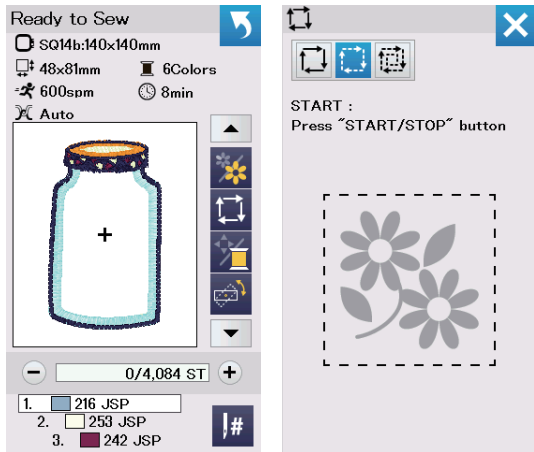
The scroll function is activated automatically when zoomed in.

To scroll the magnified window, drag the window in the desired direction.

Press the scroll key to cancel the scroll command.

- ⑤ Scroll key





## Pantry Designs for Applique

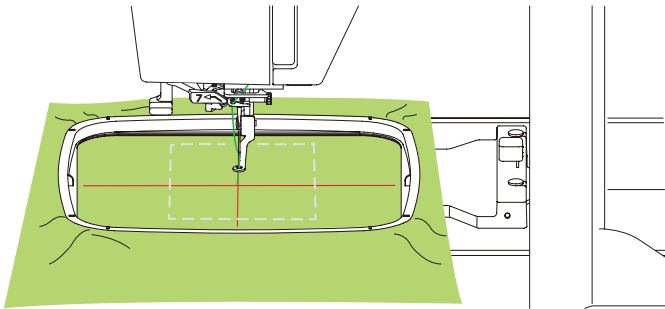
Pantry designs SQ14b-67 to SQ14b-69 are special designs for machine embroidery applique.


You can attach applique piece to background fabric and embroider applique design at the same time.

### Example: Pantry design SQ14b-67

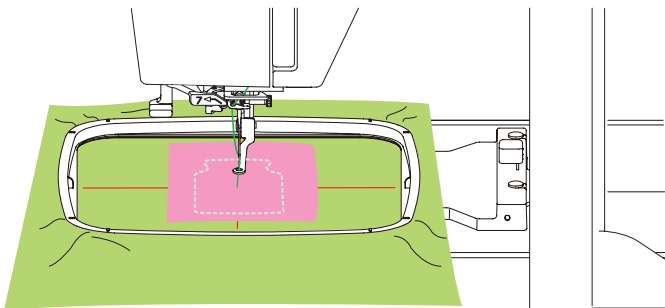
Prepare background fabric and applique fabric.

Select Pantry design SQ14b-67, and set the background fabric to the hoop.



Attach the hoop to the carriage and press the trace key. Press the  key to select trace and baste (single) (refer to page 31).

Start the machine to mark around embroidery design with basting stitches.

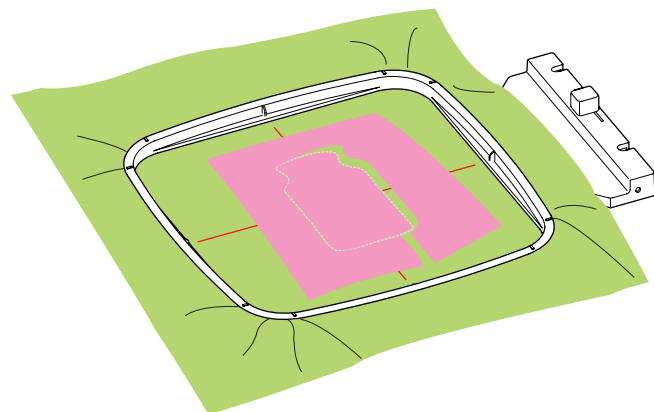


Cut the applique fabric the same size as the marked area.

Place the applique piece on the marked area and sew the first section (color).

#### NOTE:

Pin the applique piece or use spray adhesive to fix it in place as necessary.



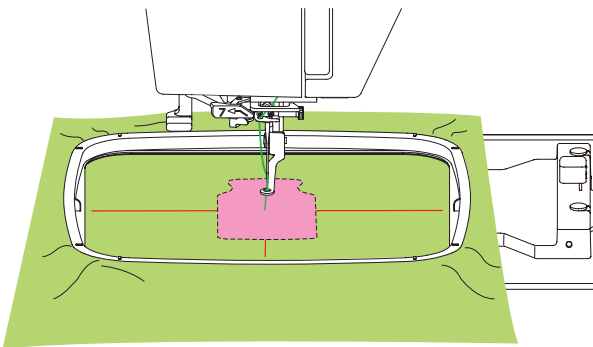
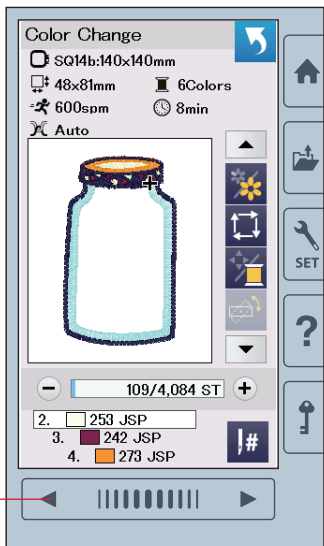
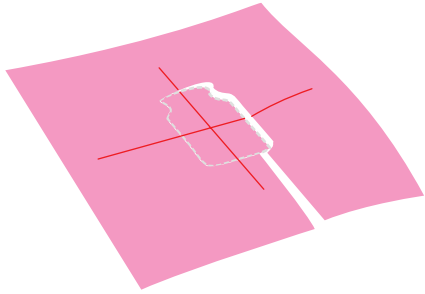
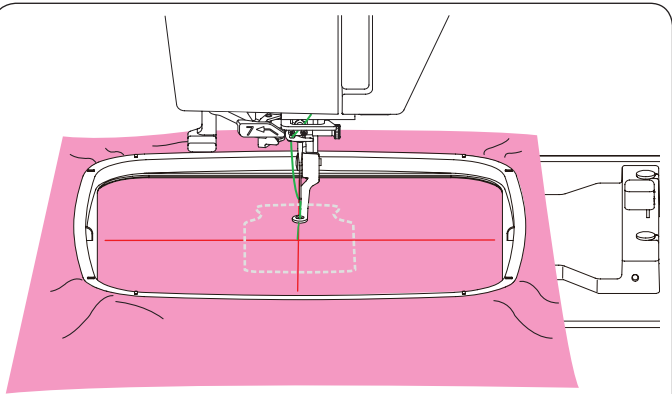
Remove the hoop from the machine, but do not unhoop the fabric.

Remove the basting stitches. Cut away the excess applique fabric as close to the seam line as possible.



Attach the hoop to the machine again.

Sew the remaining sections (colors) of the applique design.



### Alternative method

Prepare an applique fabric larger than the hoop size.

Set the applique fabric to the hoop.

Sew the first section (color) only.

Remove the hoop and unhoop the applique fabric.

Cut the applique fabric along the stitching line to make an applique piece.

Prepare background fabric and set it to the hoop.

Attach the hoop to the carriage.

Press the previous page key to go back to the first section (color) and sew the first section (color) to mark the applique position.

- ① Previous page key

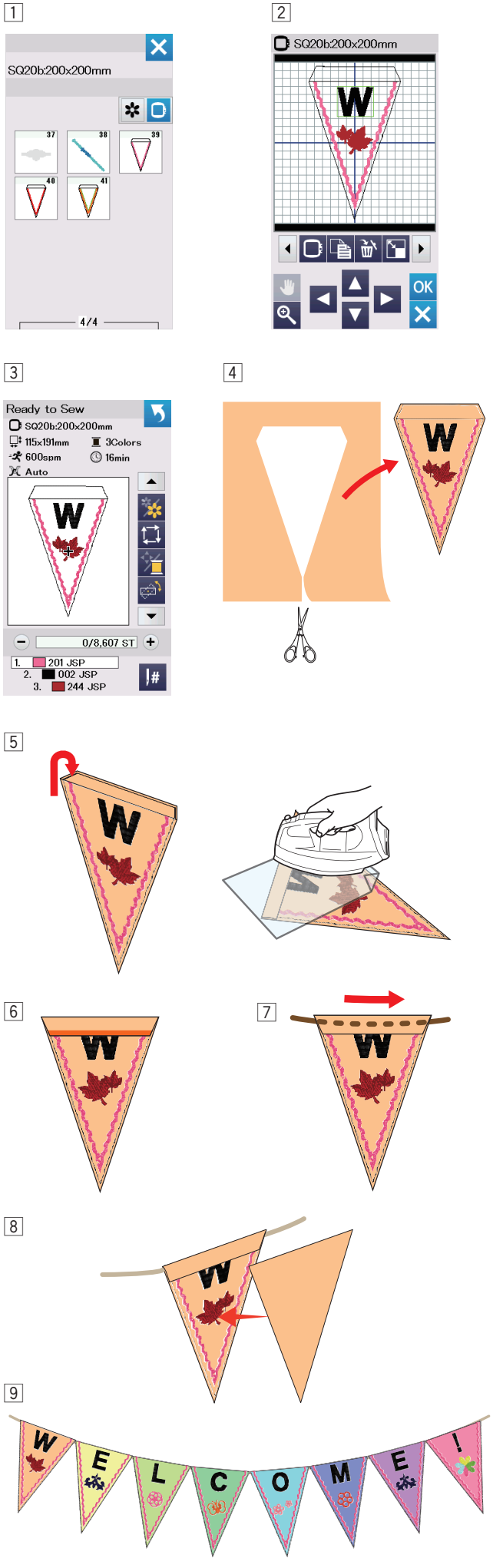
Place the applique piece on the background fabric and align the applique piece with the positioning mark.

Fix the applique piece in place with sticky tape or a pin.

Sew the remaining sections (colors) of the applique design.

## Celebration Designs

You can make your own flag garland with the celebration designs.



- 1 Select the design list by hoop size and select the hoop SQ20b.  
Select design pattern SQ20b-39.

- 2 Edit your pennant design in the editing mode.

- 3 Press the OK key to open the Ready to Sew window.  
Set the fabric in the hoop and attach the hoop to the carriage.  
Press the start/stop button to sew.

- 4 Remove the hoop from the carriage when finished sewing. Remove the fabric from the hoop.  
Cut out the pennant design along the outer seam.

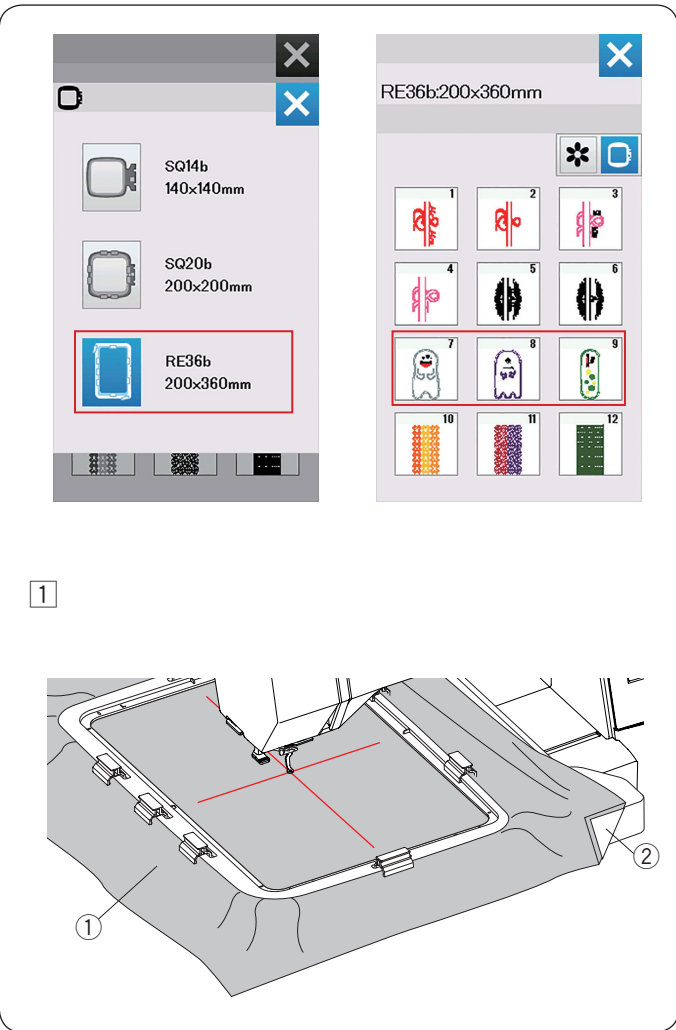
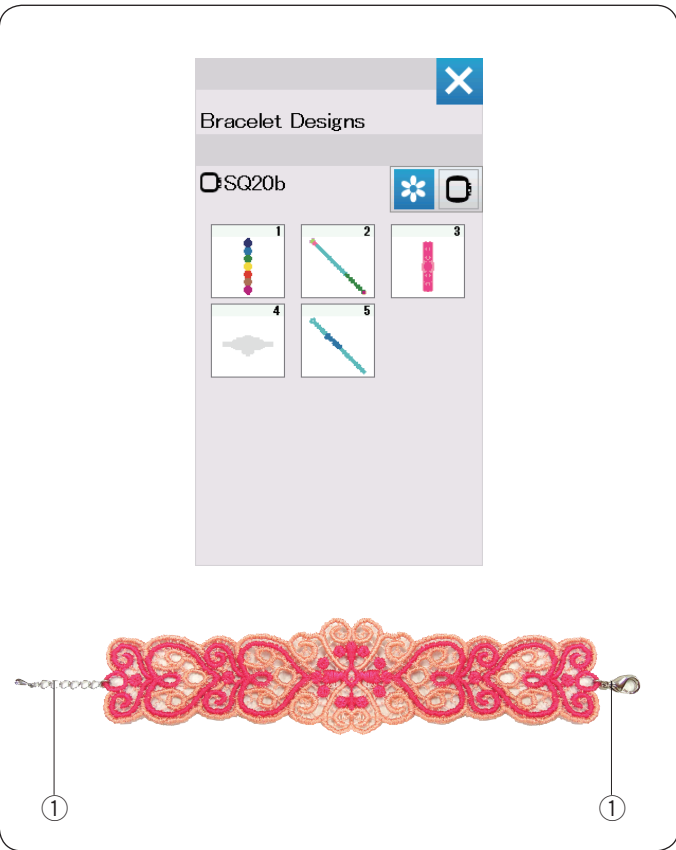
- 5 Fold back the top of the pennant to the wrong side of the fabric as shown.  
Use press cloth and iron the folded edge.

- 6 Sew the folded edge or paste the wrong side of the folded edge with a double-sided tape or glue.  
Be sure to leave the space to pass the cord.

- 7 Pass the cord through the hole as shown.

- 8 Cut the fabric to the same size as the pennant design.  
Sew the fabric to cover the back of the pennant.

- 9 Repeat the procedure above and make your own flag garland.



### Bracelet Designs

You can make a your own bracelet by sewing the bracelet designs on a water soluble stabilizer.

Use the same thread for the bobbin as the needle thread. Use a fully wound bobbin.

Set the low bobbin thread warning level to 3 or 4 (refer to page 57).

Set the maximum sewing speed to 600 spm or less (refer to page 57).

Set the water soluble stabilizer in the hoop. Be sure that the stabilizer is stretched tightly in the hoop. Select the desired bracelet design pattern and sew.

Remove the water soluble stabilizer from the hoop. Trim away the water soluble stabilizer surrounding the design pattern with scissors.

Remove the water soluble stabilizer by soaking the bracelet design into the bowl of warm water.

Attach the chain rings\* to the each end of the bracelet.

- ① Chain ring

\* Chain rings are not included with the machine.

### Stuffed Doll Designs

You can make your own stuffed doll with the In-The-Hoop Designs. Prepare the following materials.

- Fabric 1 (18" x 12": 46 x 30 cm)
- Fabric 2 (16" x 10": 41 x 25 cm)
- Stabilizer (non-water-soluble)
- Wad cotton

\* You can attach parts like horns to stuffed dolls of designs RE36b-8 and 9. Prepare fabric of your desired design and material.

Press the hoop selection key to select the RE36b.

Select the design from no.7 to no.9.

#### Example: RE36b-8 + horns

- ① Attach a stabilizer on the wrong side of the fabric 1 and set the fabric in the embroidery hoop RE36b (refer to pages 18, 20-21).

Place the extra wide table on the machine (refer to page 6).

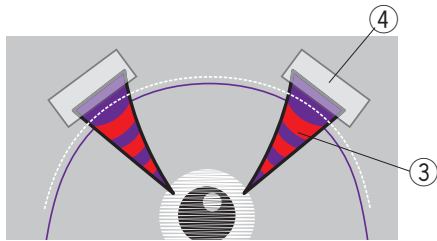
Attach the embroidery hoop on the carriage (refer to page 22).

- ① Fabric 1
- ② Stabilizer

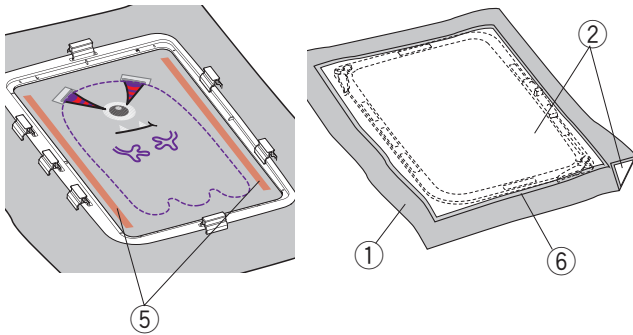
#### NOTE:

Do not remove the fabric from the embroidery hoop until the sewing project is finished.

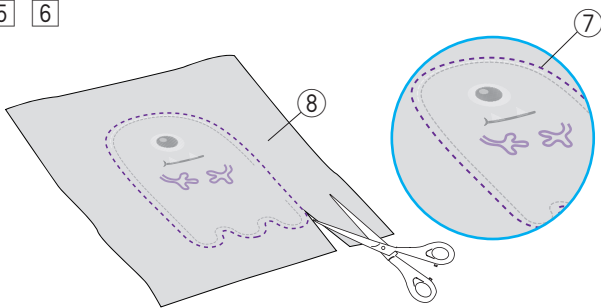
2 3



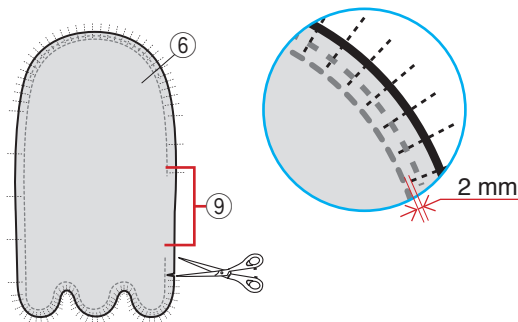
4



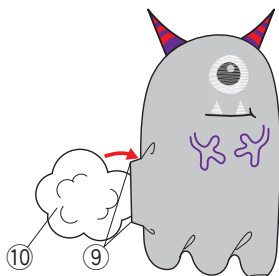
5 6



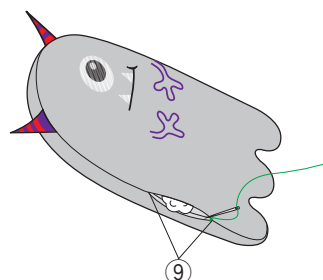
7 8



9



10



2 Embroider following parts; both arms, cut-off line, fangs, white of the eye, mouth, and eyeball. Raise the presser foot when the machine stops automatically after the sewing of the eyeball is finished. Place the horn shaped fabrics (such as felt) as shown on the step 3 and fix them with sticky tape or a pin.

\* Do not use too thick fabric for the horns. It may not be possible to embroider.

- 3 Horns (desired material and shape)
- 4 Sticky tape

3 Lower the presser foot and sew the horns.

\* Although the message "Color Change" is displayed, you can continue sewing without changing the color of thread.

4 After the sewing is finished, apply glue on the both sides of the embroidery design as shown.

Place the stabilizer-attached-fabric 2 with the right side down on the fabric 1 and stick them with a glue.

- 1 Fabric 1 (right side)
- 2 Stabilizer
- 5 Apply glue
- 6 Fabric 2 (wrong side)

5 Embroider the rest of the design.

After the sewing is finished, remove the fabrics from the embroidery hoop.

\* Use the same (or similar) colors for the fabrics and threads, so that the threads will not stand out (or pop up) when turning the fabric inside out.

6 Remove the stabilizer from the fabric 1 and fabric 2. Cut the fabrics along the cut-off line (outmost seams) with scissors.

\* Warm up the stabilizer with iron to remove the stabilizer easier. Cover the stabilizer with a cloth when ironing to prevent sticking on iron.

- 7 Cut-off line
- 8 Fabric 1 (wrong side)

7 Cut slits from the edge of the fabric to the 2 mm front of the seam in curved area .

\* Be careful not to cut the seam.

8 Turn the doll inside out from the opening.

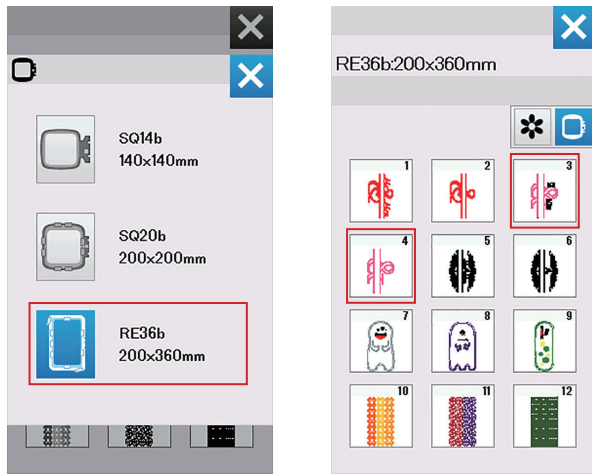
- 6 Fabric 2 (wrong side)
- 9 Opening

9 Adjust the shape of the doll and stuff the doll with wad cotton from the opening.

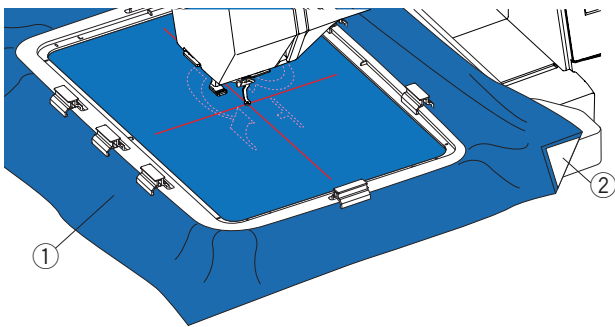
- 9 Opening
- 10 Wad cotton

10 Stitch the opening by hand to close it.

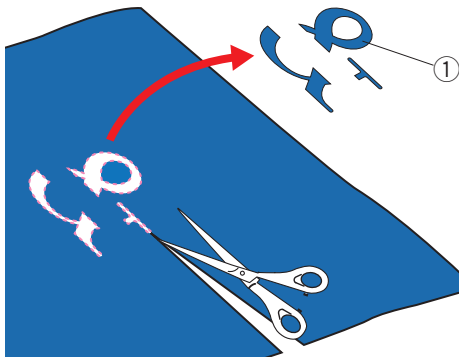
- 9 Opening



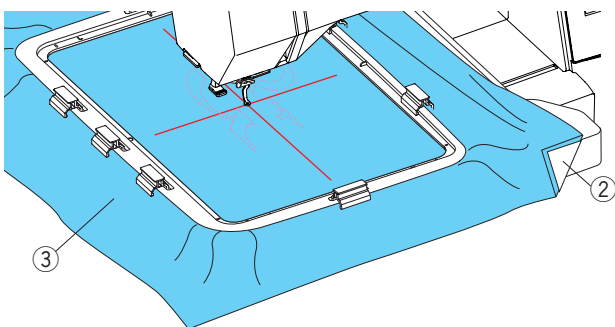
1



2 3



4



## Applique

You can make your own applique with Wedding Designs RE36b-3 and 4. Prepare the following materials.

- Applique fabric
- Background fabric
- Stabilizer (non-water-soluble)
- Glue

Select the design list by hoop size and select the hoop RE36b.

Select design pattern RE36b 3 or 4.

### Example: RE36b-3

- 1 Attach a stabilizer on the wrong side of the applique fabric and set the fabric in the embroidery hoop RE36b (refer to pages 18, 20-21).

Place the extra wide table on the machine (refer to page 6).

Attach the embroidery hoop on the carriage and sew the first color section (cutoff line) (refer to page 22).

- 1 Applique fabric
- 2 Stabilizer

- 2 After finishing the first color section, remove the embroidery hoop from the carriage.

- 3 Remove the applique fabric and cut the design along the inside of the seam line as possible.

- 1 Applique fabric

#### NOTE:

Remove the seam line if it remains on the applique.

- 4 Attach the stabilizer to the background fabric and set the background fabric in the embroidery hoop.

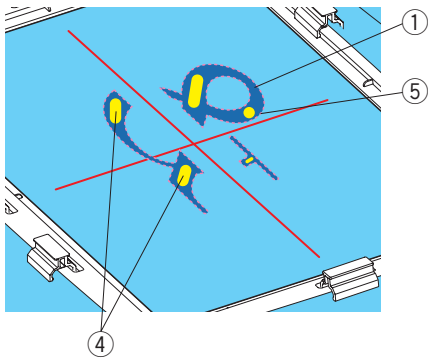
Attach the embroidery hoop to the carriage and sew the second color section (guide line).

- 2 Stabilizer
- 3 Background fabric

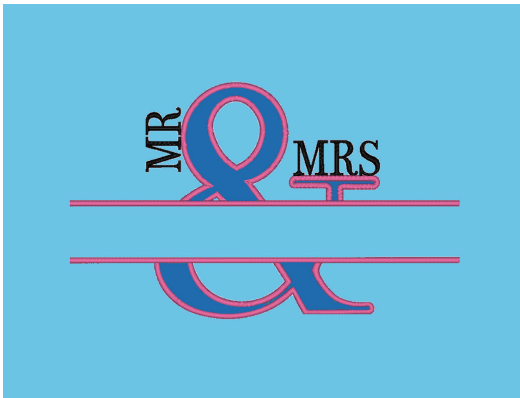
#### NOTE:

You can sew the second color section with the first color thread.

5 6



7



- 5 Apply a thin layer of a glue to the wrong side of the applique (cut as in step 3).

Attach the applique along the seam line on the background fabric.

- ① Applique fabric
- ④ Glue
- ⑤ Guide line

**NOTE:**

- Apply the glue lightly where the machine will not stitch.
- If the glue sticks to the needle or the hook race, it may cause breakage or malfunction.

- 6 Start the machine to sew from the third color section onward.

- 7 Sewing result.

## CUSTOMIZING MACHINE SETTINGS

### Machine Setting Mode

Press the set mode key to enter the machine setting mode.

You can select various options and customize the machine settings to suit your personal preference.

- ① Set mode key

Press one of the 3 tabs to select the mode to customize.

- ② **Common Setting Mode**

Press the common setting mode tab to enter the common setting mode.

In this mode, you can customize the general machine settings and options.

- ③ **Embroidery Setting Mode**

Press the embroidery setting mode tab to enter the embroidery setting mode.

In this mode, you can customize the machine settings and options for embroidery (refer to pages 57-60 for the operation).

- ④ **Language Selection Mode**

Press the language selection tab to enter the language selection mode.

In this mode, you can select the desired language for the screen messages.

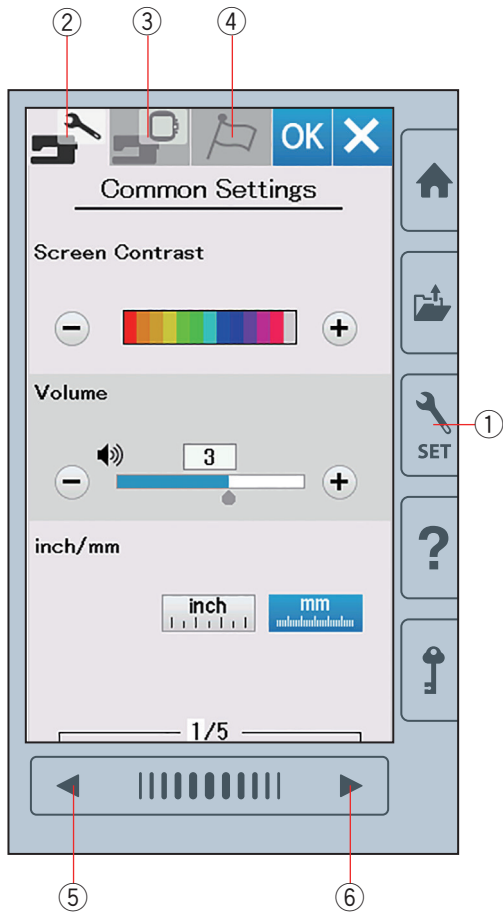
To browse pages in each mode, press the next page key or previous page key

- ⑤ Previous page key
- ⑥ Next page key

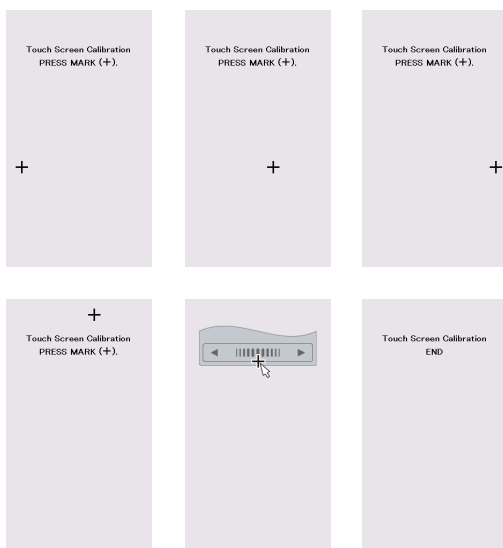
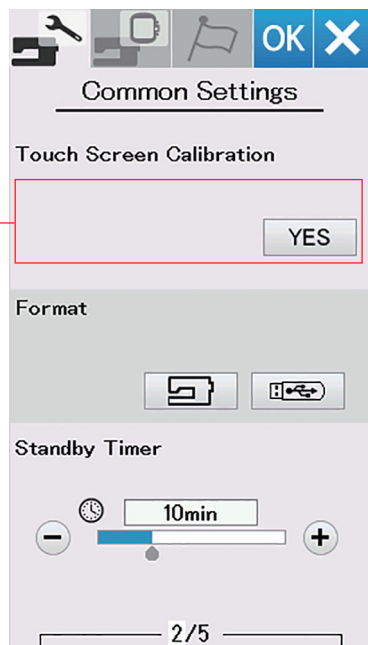
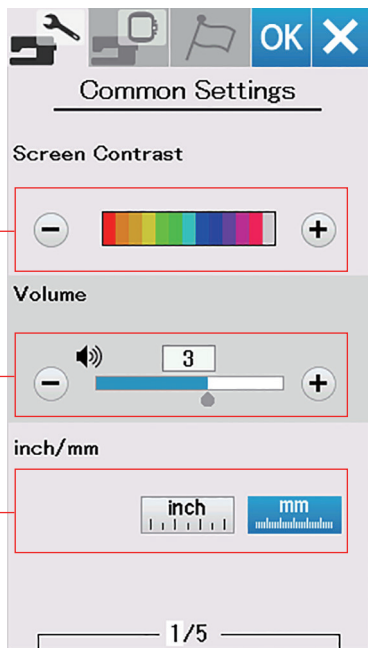
### Registering the custom settings

After customizing the settings, press the OK key to enable the new settings.

To cancel the changes to the settings, press the X key and the setting mode window will close.







## Common Setting Mode

### ① Screen Contrast

You can adjust the contrast of the visual touch screen by pressing the “+” or “-” key.

### ② Sound Volume

The signal sound can be adjusted by pressing the “+” or “-” key.

Set the value to “OFF” by pressing the “-” key several times to mute the signal sounds.

### ③ Inch/mm Option

You can set your machine’s dimensional unit to either inches or millimeters by pressing the “inch” or “mm” icon key.

The default unit is millimeters.

Press the next page key to show the next menu.

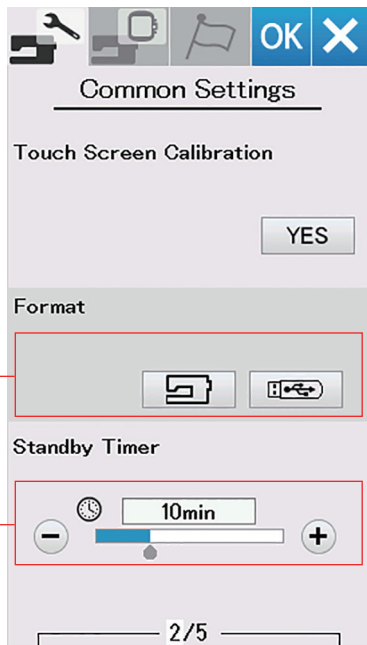
### ④ Touch Screen Calibration

You can calibrate the key positions of the touch screen if you feel the touch screen key is not responding properly.

Press the Yes key to open the calibration window.

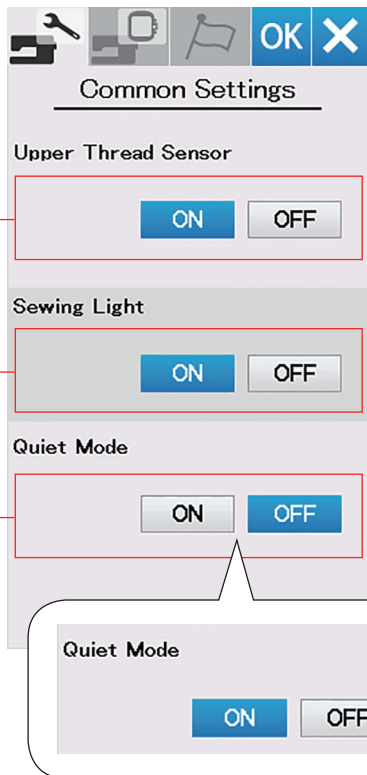
Press the “+” sign with the touch panel stylus as the sign appears.

When you press the last sign, the screen shows “END” and the calibration window will close.



⑤

⑥

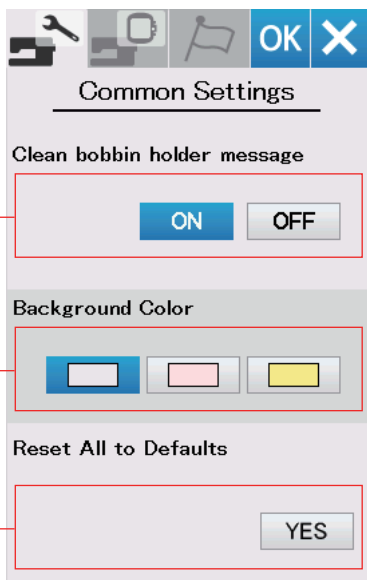


⑦

⑧

⑨

⑩



⑪

⑫

⑬

### ⑤ Formatting the memory

If the internal memory of the machine or USB flash drive does not function due to damage to the memory bank, you need to re-enable it by formatting the memory.

To format the machine's internal memory, press the machine icon key and a confirmation message will be displayed. Press the OK key to format.

To format a USB flash drive, press the USB icon and the confirmation window will open. Press the OK key to format.

### **! CAUTION:**

Do not turn off the power or disconnect the USB flash drive while a warning message is displayed, otherwise it may damage the memory bank.

### ⑥ Standby Timer

The sewing lights will turn off and the machine will enter standby mode if you do not use the machine within the time period set by this timer. Doing any operation will turn the lights and screen on again.

The standby timer can be set from 1 to 30 minutes. If you wish to turn off the timer, press and hold the "+" key until "OFF" shows in the timer window.

Press the next page key to show the next menu.

### ⑦ Upper Thread Sensor

If you need to run the machine without threads, turn off the upper thread sensor.

### ⑧ Sewing Light

The sewing lights can be turned on or off. Press the ON key to turn on the sewing lights. Press the OFF key to turn off the sewing lights.

### ⑨ Quiet Mode

If you prefer the machine to run more quietly, turn on this option so the signal sound and maximum embroidery speed will be set at the lowest levels.

The quiet mode setting overrules any previous settings for these parameters.

Quiet sign ⑩ will appear on Quiet Mode, Sound Volume, Maximum embroidery speed when this option is turned on. Sound Volume and Maximum embroidery speed settings will be disabled.

### ⑩ Clean bobbin holder message

The caution message for cleaning the bobbin case and the hook race will be displayed when the certain time passes when this option is turned on.

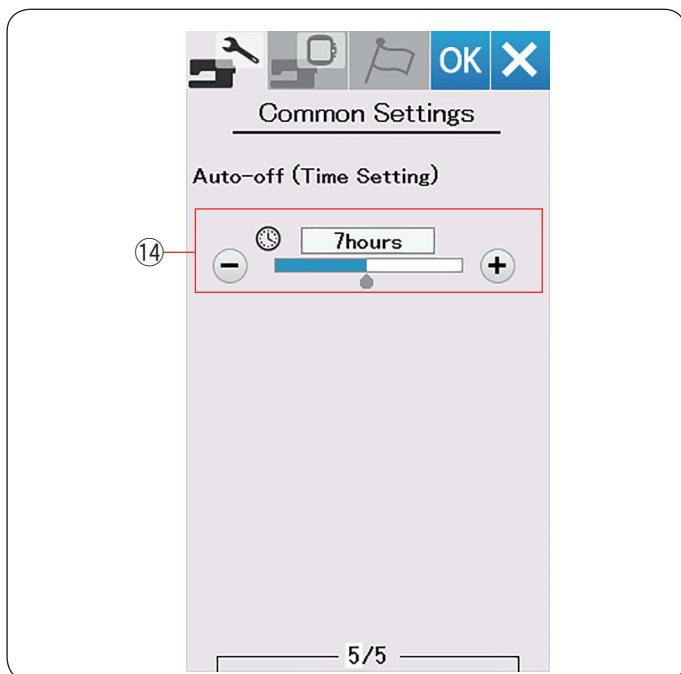
The caution message will not be displayed when this option is turned off.

### ⑫ Background Color

You can select from the colorful wallpapers for the background of the visual touch screen by pressing the relevant icon.

### ⑬ Reset All to Defaults

Press the Yes key to reset all the parameters to the original values (factory settings) except the language selection.



#### ⑭ Auto-off (Time Setting)

The machine will be automatically turned off if you do not use the machine within the time period set by this timer.

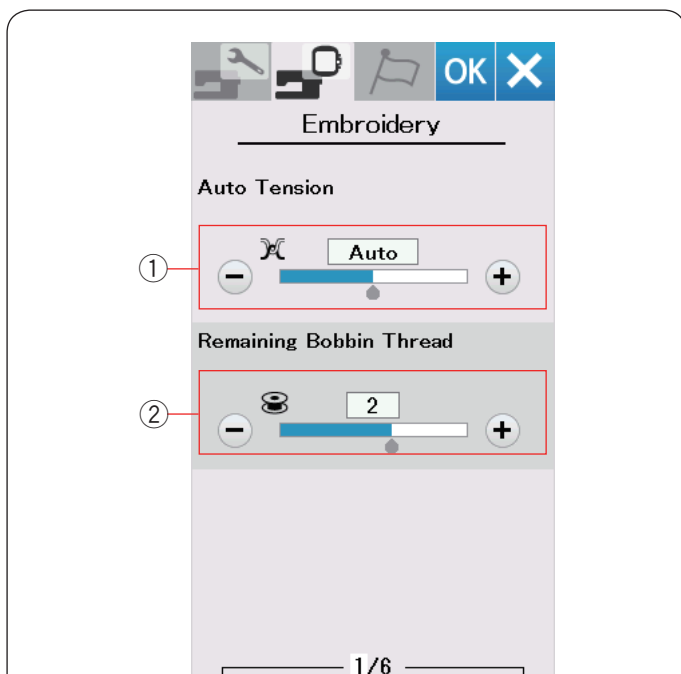
The auto-off timer can be set from 1 to 12 hours.

If you wish to turn off the timer, press and hold the “+” key until “OFF” shows in the timer window.

To turn on the machine again, turn the power switch on.

#### NOTE:

The auto-off timer is available in EU countries and some regions which use 200 - 240 voltage standards.



## CUSTOMIZING EMBROIDERY MODE SETTINGS

### Embroidery Mode Settings

Press the embroidery setting mode tab (refer to page 54).

#### ① Auto thread tension

The auto thread tension level can be adjusted with the “+” or “-” key. Increase the value when using the same threads on the bobbin and needle.

#### ② Low bobbin thread warning

The low bobbin thread warning level can be adjusted with the “+” or “-” key. To turn this option off, press the “-” key until “OFF” shows in the window.

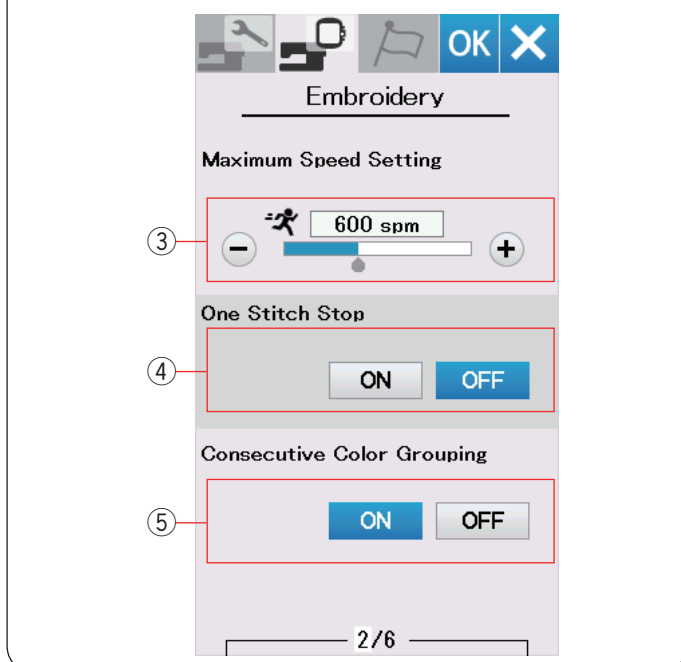
Press the next page key to go to the next menu.

#### ③ Maximum embroidery speed

The maximum embroidery sewing speed can be set from 400 to 860 spm in 100 spm intervals by pressing the “+” or “-” key.

#### NOTE:

Sewing with default speed setting (600 spm) when using embroidery hoop RE36b. Sew with high speed may cause distortion of the embroidery patterns.



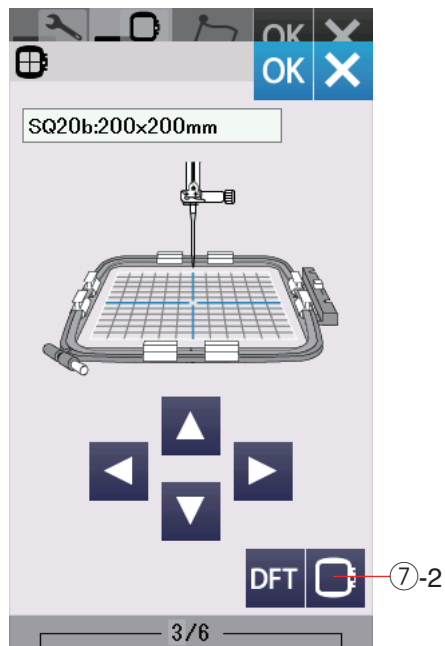
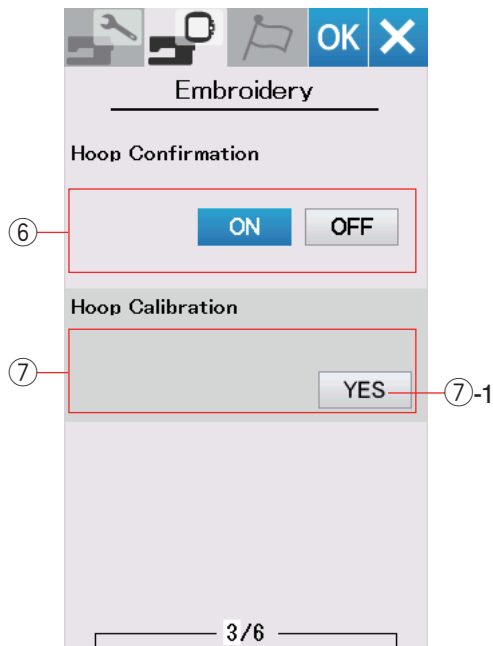
#### ④ One stitch stop

When this function is turned on, the machine sews one stitch and stops automatically so that you can bring the bobbin thread up before sewing.

#### ⑤ Consecutive color grouping

If an imported design files of a pattern combination contain consecutive sections in the same color, these sections are automatically grouped together as one section when opening the file or going to the Ready to Sew window. This function is invalid when combining the built-in designs and externally sourced designs.

Turn this option off if you do not wish to group the sections together.



### ⑥ Hoop confirmation

The hoop confirmation message will appear every time before opening the Ready to Sew window. However you can turn this option off by selecting off.

### ⑦ Hoop calibration

You can calibrate the center position of the hoops.

Press the Yes key.

⑦-1 Yes key

The caution message appears.

Press the OK key.

The carriage moves to the center position.

Press the hoop selection key to open the hoop selection window.

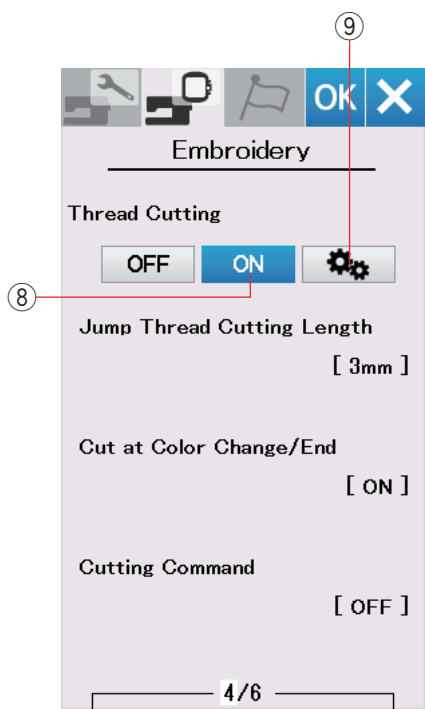
⑦-2 Hoop selection key

Select the hoop and attach it to the carriage. Set the template in the hoop.

Adjust the hoop position by pressing the jog keys so that the needle is right above the hole in the template.

Press the OK key.

Press the next page key to go to the next menu.



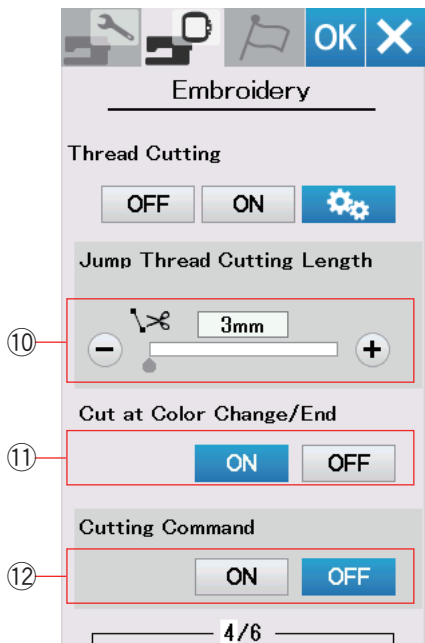
## Thread cutting

### ⑧ Easy setting

When this setting is turned on, the machine will trim the threads if the jump thread is 3 mm or longer, or when the machine stops to change the thread to the next color. Press the OK key to confirm the easy setting.

### ⑨ Advanced setting

When this setting is turned on, you can configure the Jump thread cutting ⑩, Cut at color change/end ⑪, and Cutting Command ⑫ options individually. Press the OK key to confirm the advanced setting.



There are 3 thread cutting options for embroidery.

### ⑩ Jump thread cutting length

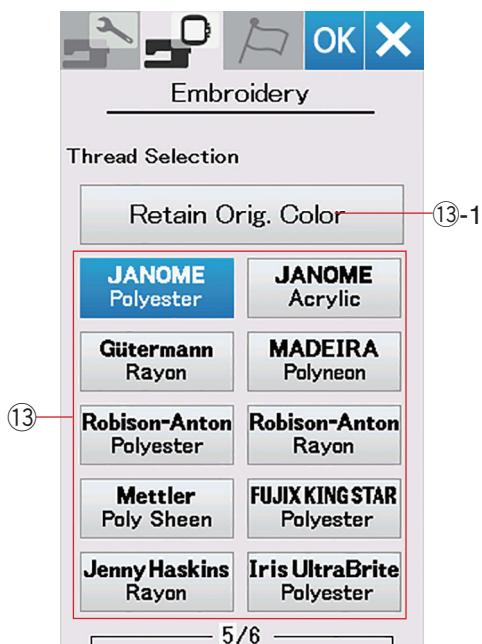
When this option is turned on, the machine trims the jump threads if the jump thread length is the same or more than the set value.

### ⑪ Cut at color change/end

When this option is turned on, the machine trim the thread when it stops to change the thread to the next color.

### ⑫ Cutting command

When this option is turned on, the machine trim the threads at the trim code if the imported stitch data file contains a trim command (cutting command).

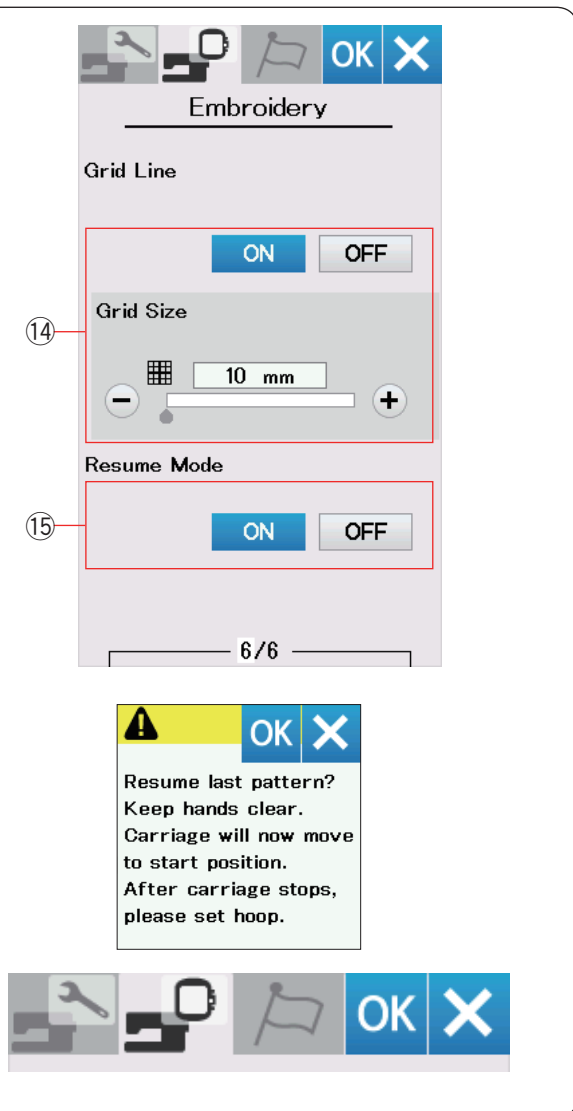


### ⑬ Thread selection

There are 10 types of embroidery thread to choose from. Press the key of the thread you wish to use. The color code of the selected brand is shown on the list of thread colors along with the name of the color.

If you use imported embroidery stitch data containing proper thread information, press Retain Original Color key to retain this information.

⑬-1 Retain original color key



#### ⑭ Grid line on/off

Turn this option on to show grid in the editing window.  
 The grid size can be altered from 10 to 30 mm with the “+” or “-” key when this option is on.  
 Turn this option off to hide the grid.

#### ⑮ Resume mode

When Resume Mode is turned on, the last pattern sewn before turning the power off will resume when you turn the power on again.

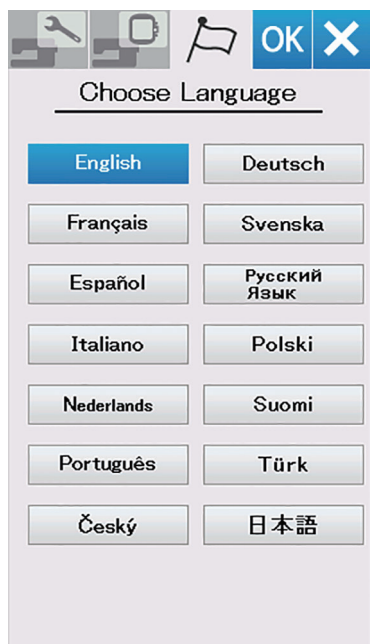
When you turn the power on, the confirmation window opens. Press the OK key to resume the last pattern.

After customizing the settings, press the OK key to enable the new settings.

To exit the setting mode without changing the settings, press X key.

#### Language Selection Mode

Select the desired language and press the OK key.  
 The visual touch screen shows messages in the selected language.





## Saving and Opening a File

You can save original embroidery designs as files in the built-in memory and/or USB flash drive.

Press the save file key and the save file window will open.

- 1 Save file key

A folder labeled “Emb” is displayed on the screen. To select a folder, press the folder icon.

File names are assigned automatically in numerical order starting from M\_001.....

Press the OK key and the file is saved in the selected folder.

To assign a particular name to the file, press the rename key.

- 2 Rename key

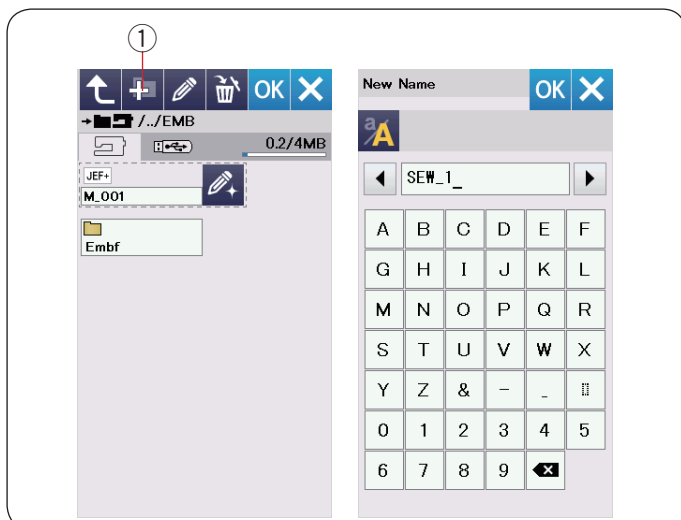
The keyboard window opens.

Enter a new name and press the OK key.

The file is saved under the new name.

When you attempt to save a file with a name that already exists, the confirmation message will appear.

Press the OK key to overwrite the existing file or press the X key if you do not want to overwrite it.



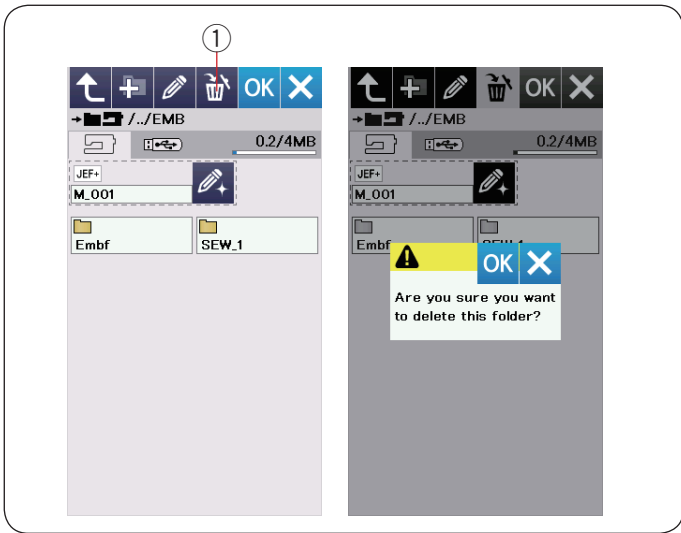
## Creating a new folder

Press the new folder key and the keyboard window will open.

- 1 New folder key

Enter a folder name and press the OK key.

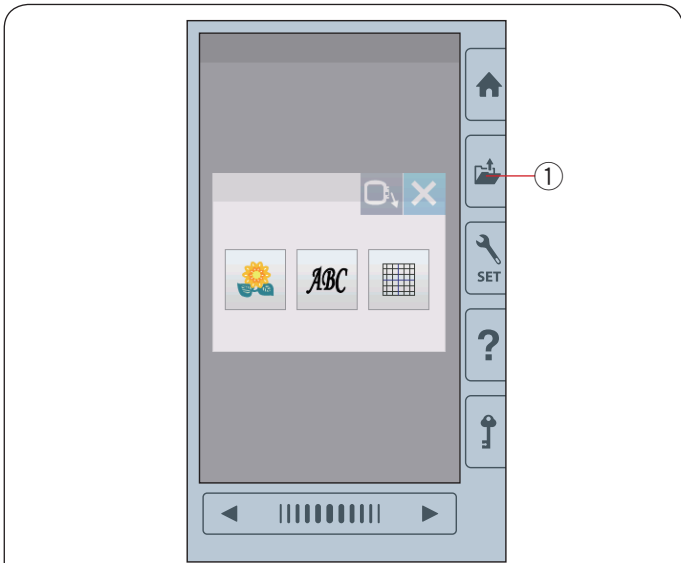
A new folder is created under the assigned name.



### Deleting a file or folder

Press the delete key and select the file or folder to delete. A confirmation message appears. Press the OK key to delete the file or folder.

- ① Delete key



### Opening a file

To open saved files, press the open file key to open the open file window.

- ① Open file key

Select the folder location, either the built-in memory or USB flash drive.

Open the folder that contains the desired file by pressing the folder icon.

The file list of the selected folder is displayed.

To open the file, press the file icon.

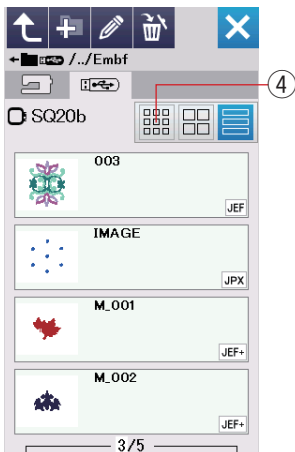
The file attributes can be shown on the file icon.

To show the file attribute, press the “large icon” key or “file list” key.

- ② Large icon key
- ③ File list key

There are 5 file attributes as follows:

- JEF** : \*.JEF (Janome embroidery format)
- JEF+** : \*.JEF+ (editable Janome embroidery format)
- JPX** : \*.JPX (\*.JEF+ with a background bitmap image)
- JPX** (with icon) : \*.JPX (Acufil embroidery format)
- DST** : \*.DST (Tajima embroidery format)



To hide file attribute, press the small icon key.

- ④ Small icon key

### NOTE:

Tajima (\*.DST) format does not have thread color information. Janome's thread color will be assigned automatically when opening.





### Changing a name of the file or folder

Press the rename key and select the file or folder for which you wish to change the name.

The keyboard window will open.

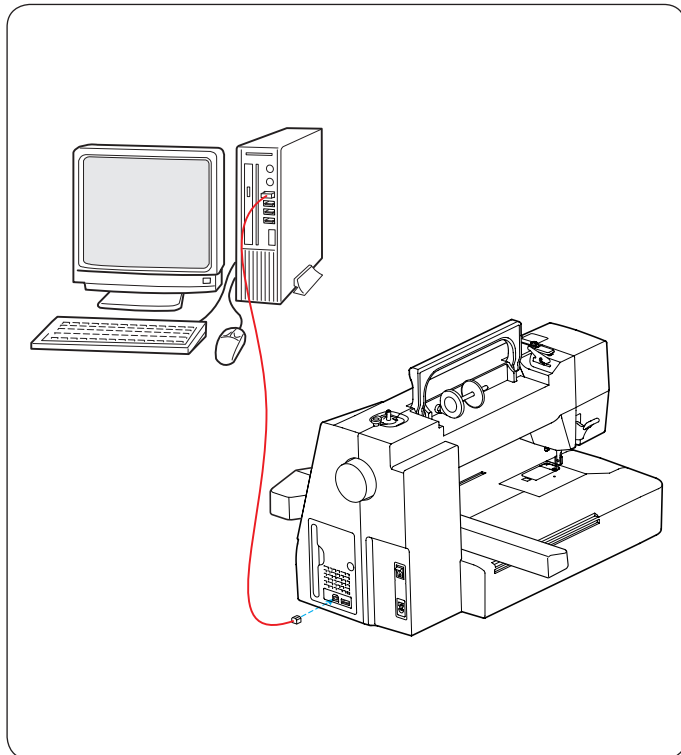
Enter a new name and press the OK key.

The name of the file or folder will be changed.

① Rename key

If you enter a name that already exists, the message “The same name exists.” will appear.

Press the X key and enter another name.



### Direct PC-Link

You can connect the machine to a PC with the USB cable included in the standard accessories.

You need to install Embroidery Editor and the USB driver for the machine on your computer.

Embroidery Editor and the USB driver are available in the Embroidery Editor CD-ROM included in the standard accessories.

Start up the machine and PC, and insert the type “A” USB connector into the PC.

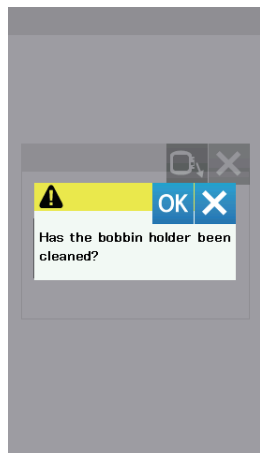
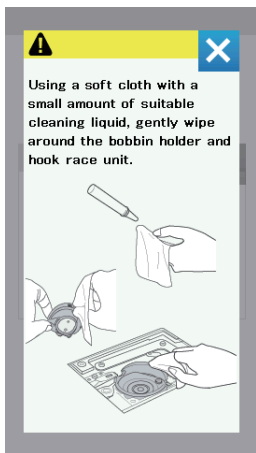
Insert the type “B” connector into the machine.

You can send original embroidery design data from a PC to the machine.

Refer to on-screen help of Embroidery Editor for more details.

### CAUTION:

Do not turn the power off or disconnect the USB cable while the data transfer is in progress, as this will cause loss of data and can damage the machine's memory.



## CARE AND MAINTENANCE

### Cleaning the Hook Area

Clean the hook area at least once a month.

The caution message for cleaning the bobbin case and the hook race will be displayed after a certain period if the clean bobbin holder message option is turned on (refer to page 56).

#### **CAUTION:**

Always make sure to turn the power switch off before cleaning the hook area.

Do not dismantle the machine in any way other than as explained in this section.

Turn the power switch off and unplug the machine.

Remove the needle plate by turning the setscrews with the screwdriver key.

Remove the needle and presser foot.

Take out the bobbin and bobbin holder.

- ① Bobbin holder

Clean the bobbin holder with a lint brush.

Apply a few drops of the bobbin holder cleaner (included in the standard accessories) to a soft cloth and wipe the bobbin holder thoroughly both inside and outside.

- ② Lint brush
- ③ Bobbin holder cleaner
- ④ Soft cloth

Clean the auto thread cutter device with the lint brush.

- ⑤ Auto thread cutter device

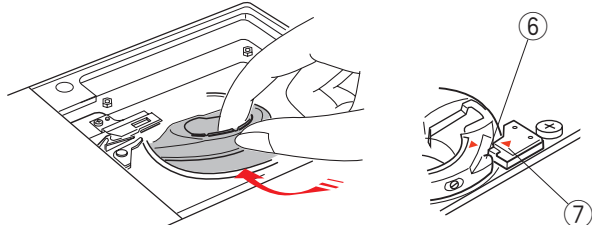
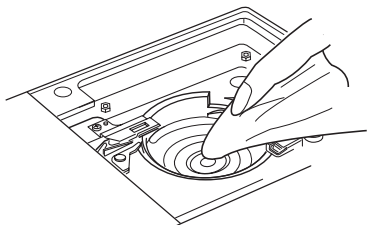
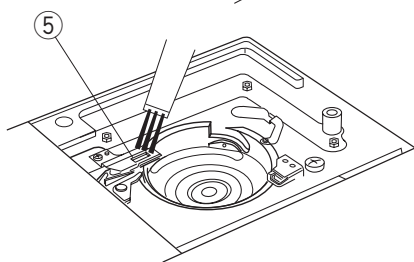
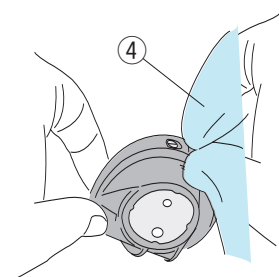
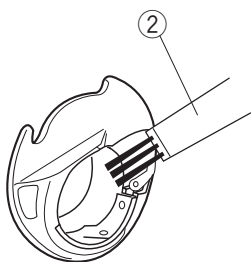
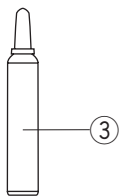
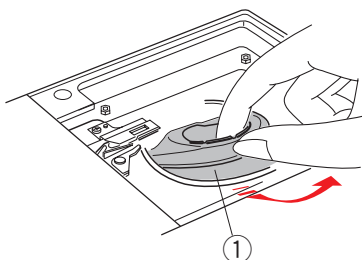
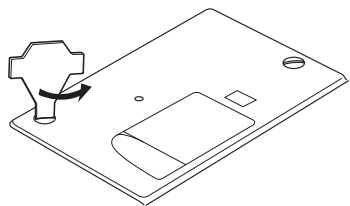
Clean the inside and lip of the hook race with a soft cloth.

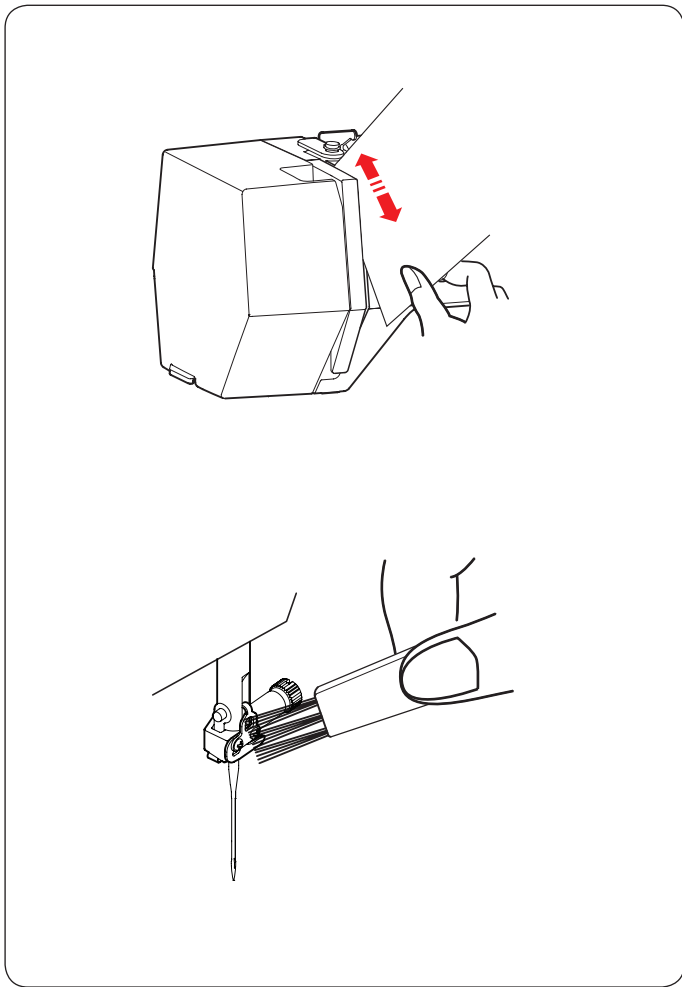
Insert the bobbin holder so that the knob fits next to the stopper in the hook race.

Insert the bobbin.

- ⑥ Knob
- ⑦ Stopper

Attach the needle plate, presser foot and needle.





### **Cleaning the Thread Path**

Clean lint and wax in the tension area with a piece of paper.

Insert a piece of paper along the right channel and scrape out lint.

Clean the needle bar thread guide with lint brush.

## Oiling the Machine

### **WARNING:**

Move the carriage to the home position (refer to page 34), and turn off the power switch and/or unplug the machine before oiling the machine.

Wait until the motor cools down before oiling.

Do not dismantle the machine in any way other than as explained in this section.

Do not oil any parts other than as explained in this section.

### **NOTE:**

Oil the points as shown at least once a month if you are using the machine every day.

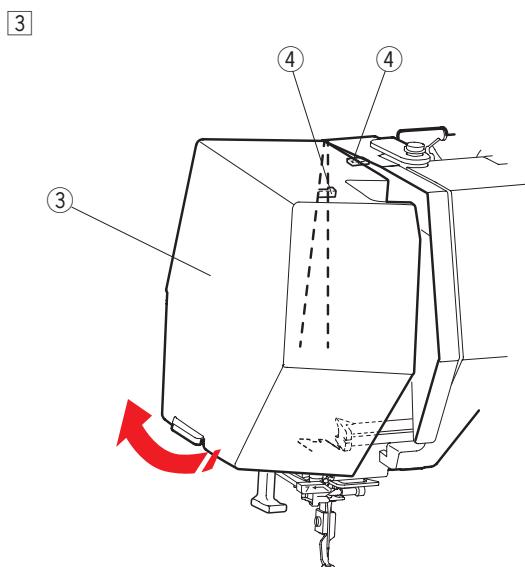
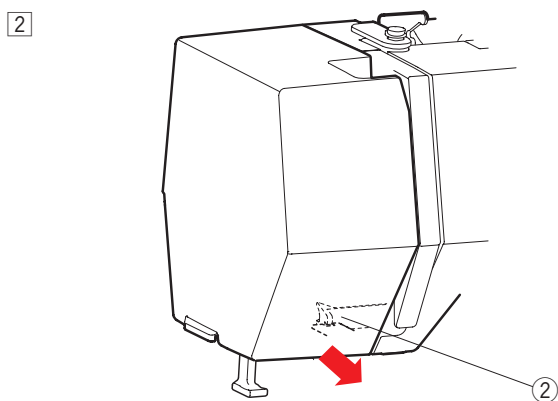
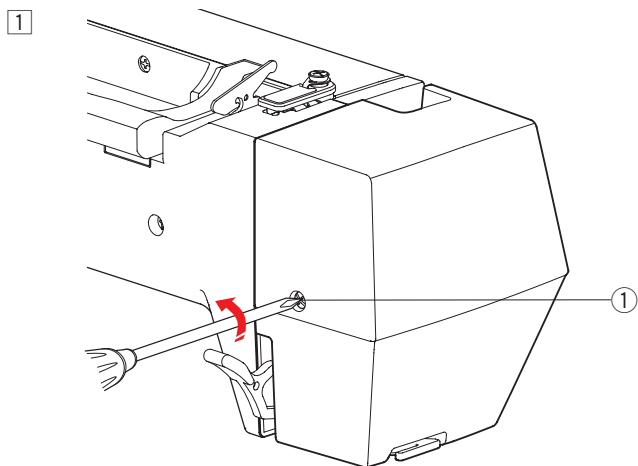
Use good quality sewing machine oil.

One or two drops of oil is sufficient.

Remove excess oil, otherwise it may stain fabric.

In case machine is not used for an extended time, oil it before sewing.

You need a phillips driver to attach/remove the covers or setscrews.



### **Oil the needle bar, presser bar and thread take-up lever**

- 1 Remove the setscrew ①.

① Setscrew

- 2 Pull the face plate to unhook the front hook.

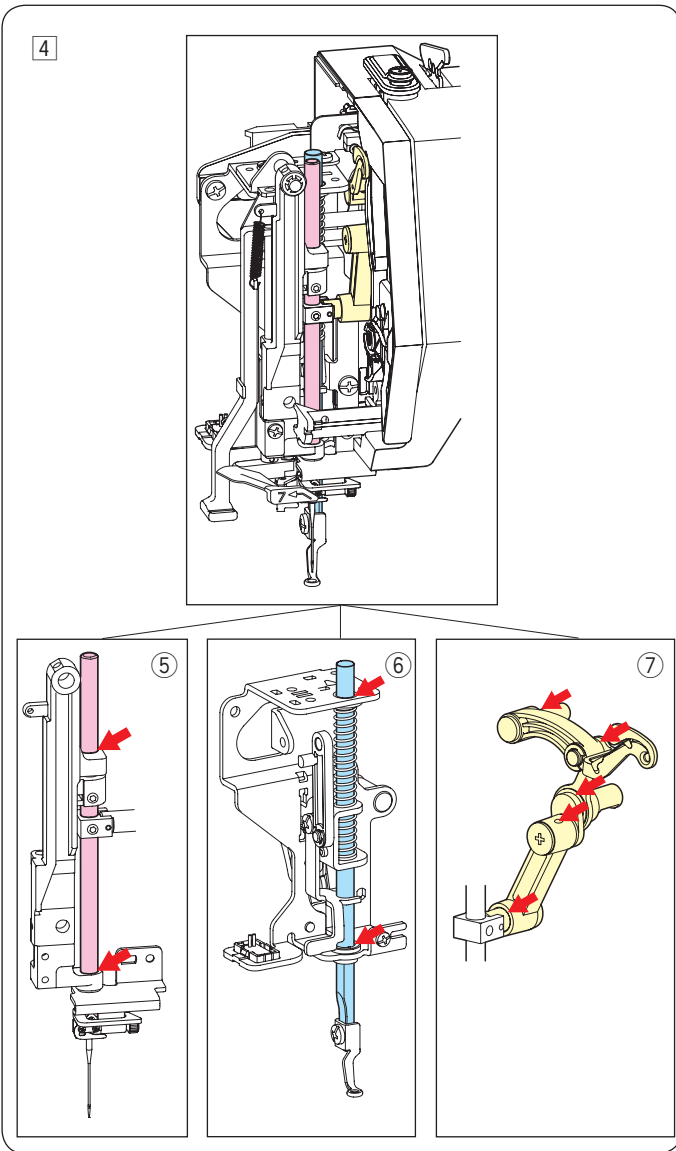
② Front hook

- 3 Tilt the face plate in the direction of arrow to unhook the rear hooks.

Remove the face plate.

③ Face plate

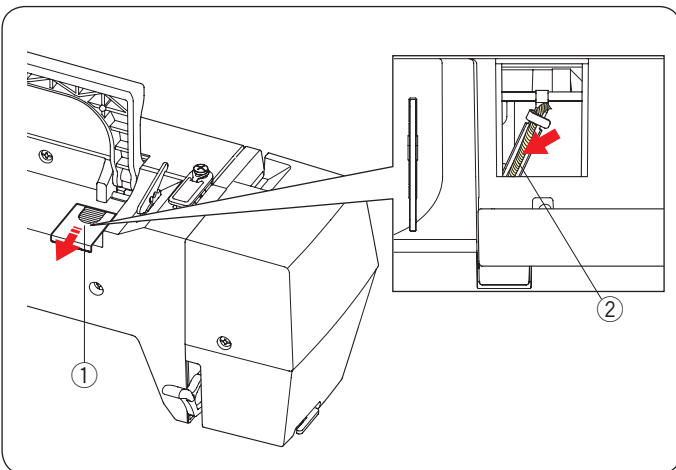
④ Rear hooks



4 Oil the arrow points as indicated in the illustration.

- 5 Needle bar
- 6 Presser bar
- 7 Thread take-up lever

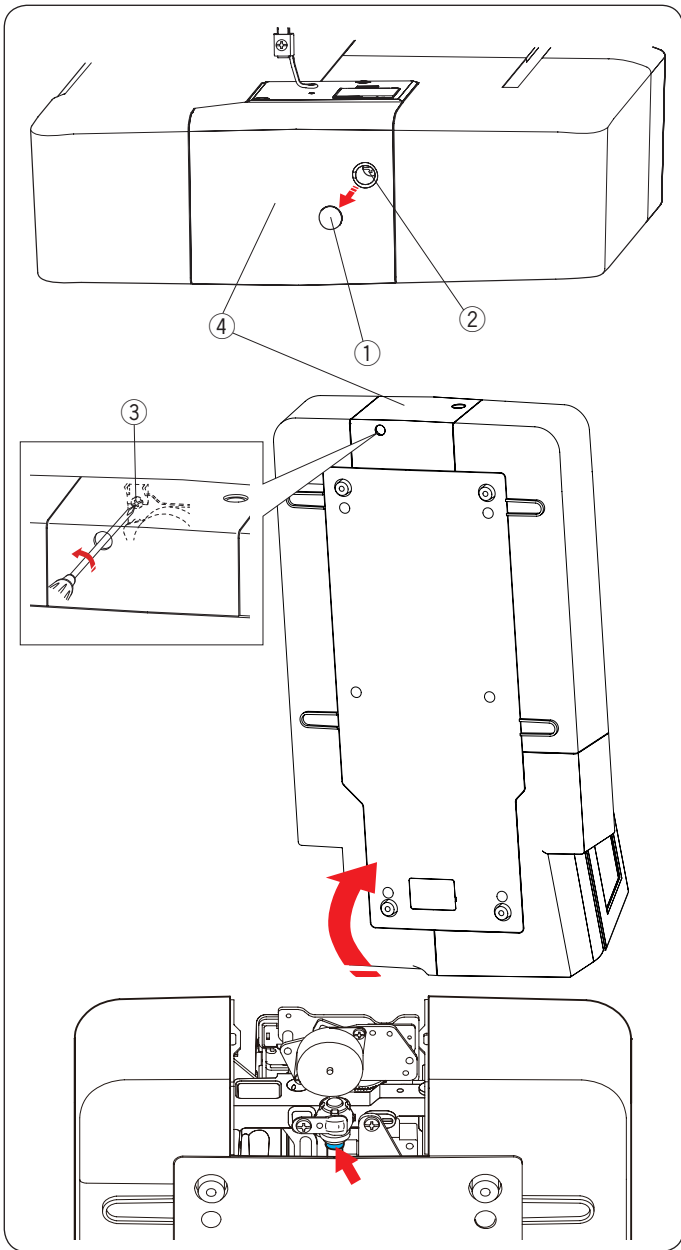
To attach the face plate, follow the procedure 1 to 3 in reverse.



**Oil the oil wick**

Slide the cover 1 on the top rear side of the machine. Oil the oil wick 2 inside of the machine.

- 1 Cover
- 2 Oil wick



### Oil the lower shaft supporter (front)

**NOTE:**

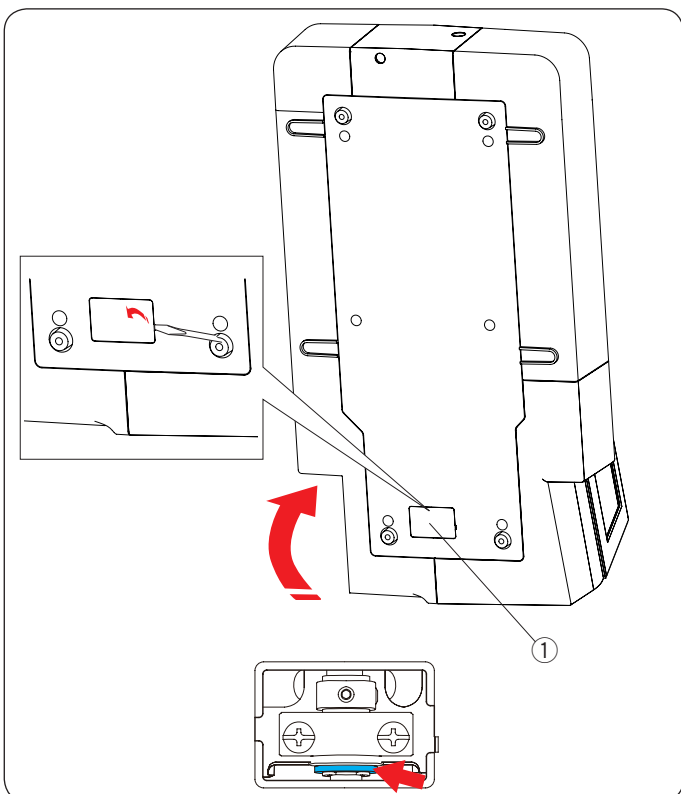
Be careful not to damage any parts when raising the machine.

Remove the cap ① and setscrew A ② with a screwdriver. Stand the machine so that the handwheel side comes to the underside of the machine.

Insert the screwdriver from the bottom hole of the thread cutter cover. Loosen the setscrew B ③. Remove the thread cutter cover ④.

- ① Cap
- ② Setscrew A
- ③ Setscrew B
- ④ Thread cutter cover

Oil the arrow point (felt) as indicated in the illustration.



### Oil the lower shaft supporter (rear)

**NOTE:**

Be careful not to damage any parts when raise the machine.

Stand the machine so that the handwheel side comes to the underside of the machine.

Remove the cover ① on the underside of the machine with a screwdriver.

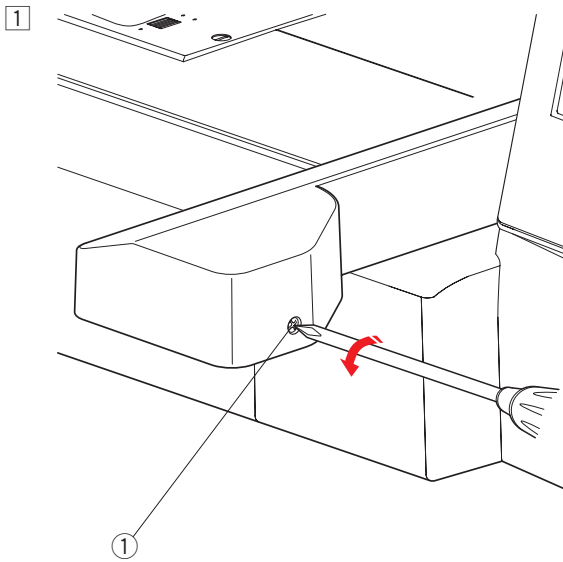
- ① Cover

Oil the arrow point (felt) as indicated in the illustration.

## Oil the Y-carriage

1 Remove the setscrew ①.

① Setscrew

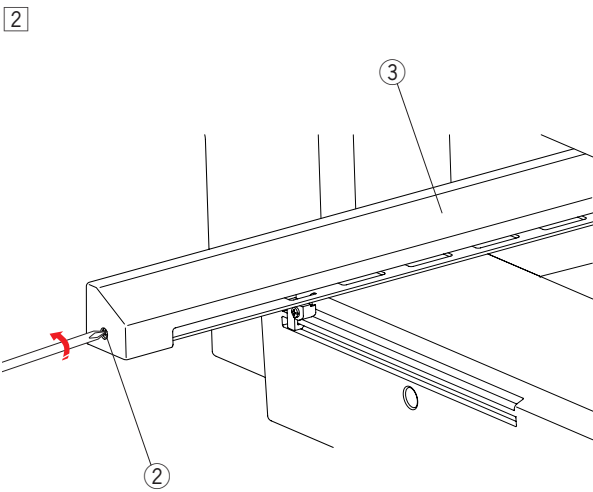


2 Remove the setscrew ②.

Remove the carriage cover ③.

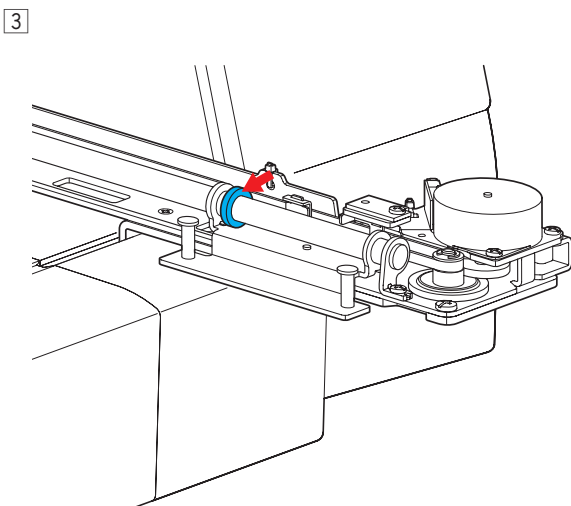
② Setscrew

③ Carriage cover



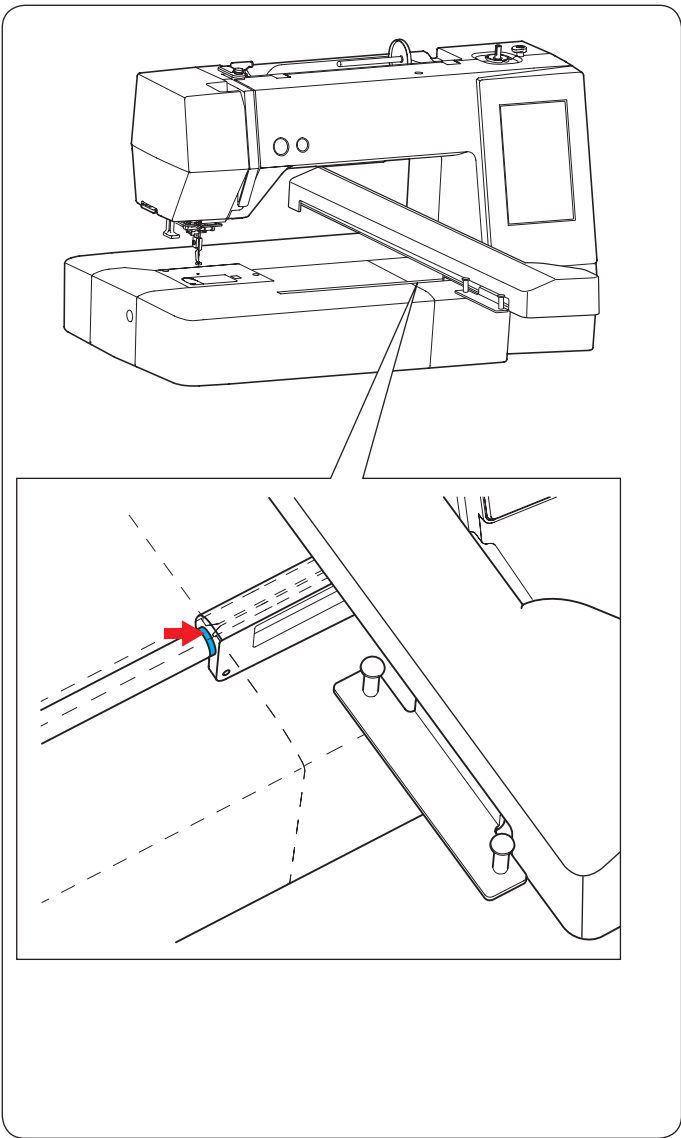
3 Oil the arrow point (felt) as indicated in the illustration.

To attach the carriage cover, follow the procedure 1 to 2 in reverse.



**Oil the X-carriage**

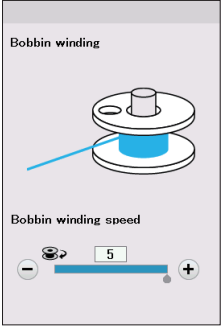
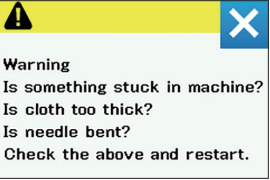

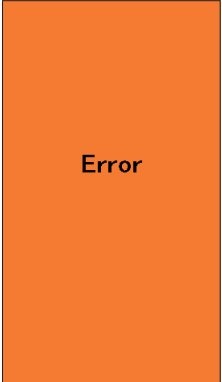
Oil the arrow point (felt) inside of the carriage slit.





## Problems and Warning Signals

If the visual touch screen shows a warning sign, follow the guidance below.

Warning Sign	Cause	Try this
	<p>The bobbin winder spindle is shifted to the right.</p>	<p>Shift the bobbin winder spindle to the left for stitching.</p>
	<p>The machine is halting due to overload.</p>	<p>Wait for at least 15 seconds to restart. Remove tangled threads around take-up lever, hook race and automatic thread cutting mechanism.</p>
	<p>The caution message appears when the lockout key is pressed while the embroidery hoop is at the position to disturb threading.</p>	<p>The embroidery hoop will temporarily move to a position to avoid disturbing a threading when the OK key is pressed.</p>
	<p>The machine is malfunctioning.</p>	<p>Contact the service center or the store from whom the machine was purchased.</p>

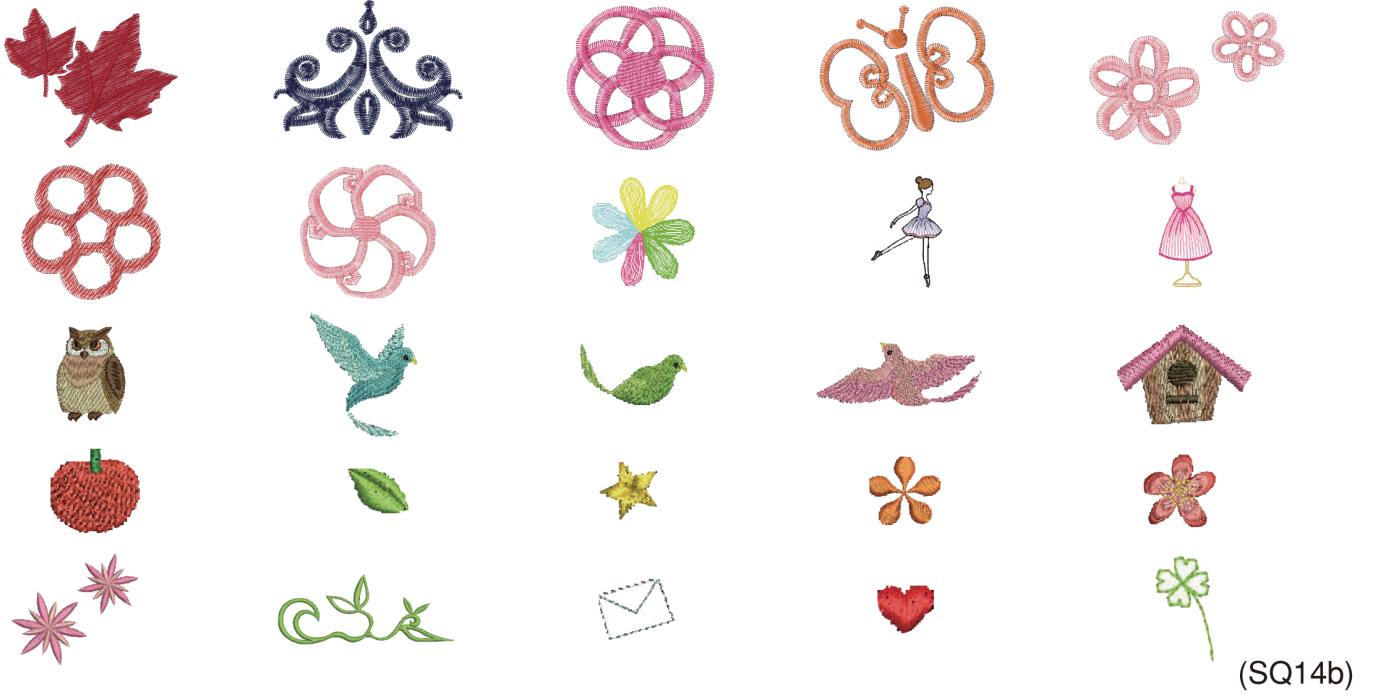
## Troubleshooting

Condition	Cause	Reference
The machine is noisy.	1. Thread is jammed in the hook area.	See page 64.
The needle thread breaks.	1. The needle thread is not threaded properly. 2. The needle thread tension is too tight. 3. The needle is bent or blunt. 4. The needle is inserted incorrectly. 5. The needle thread was not set in the thread holder when embroidery sewing started.	See page 12. See page 57. See page 14. See page 14. See page 23.
The bobbin thread breaks.	1. The bobbin thread is not threaded properly in the bobbin holder. 2. Lint has been collected in the bobbin holder. 3. The bobbin is damaged and does not turn smoothly.	See page 11. See page 64. Replace the bobbin.
The needle breaks.	1. The needle is inserted incorrectly. 2. The needle is bent or blunt. 3. The needle clamp screw is loose.	See page 14. See page 14. See page 14.
Visual Touch Screen is not clear.	1. The contrast of the screen is not adjusted properly.	See page 55.
Skipped stitches	1. The needle is inserted incorrectly. 2. The needle is bent or blunt. 3. The needle thread is not threaded properly. 4. The needle is defective (rusted, burr on needle eye or tip). 5. The embroidery hoop is not set properly. 6. The fabric is not stretched tightly enough on the embroidery hoop. 7. A stabilizer is not being used. 8. The thread coming out from the needle eye is too short after auto thread cutting.	See page 14. See page 14. See page 12. Change the needle. See page 22. See pages 19-21. See page 18. See page 12.
The machine does not run.	1. Thread is jammed in the hook area. 2. The machine is not plugged in.	See page 64. See page 7.
Abnormal noise occurs when the machine is switched on.	1. Something is caught between the carriage and the arm.	Remove the object.
The patterns are distorted.	1. The fabric is not pulled tightly on the embroidery hoop. 2. The embroidery hoop is not fixed securely. 3. The carriage is bumping into something around the machine.  4. The fabric is caught or pulled for some reason when sewing embroidery. 5. A stabilizer is not used.	See pages 19-21. See page 22. Do not place any obstacle around the machine. Reattach the fabric.  See page 18
Function keys do not work.	1. Key positions are not adjusted properly. 2. The control circuit is not working correctly.  3. The bobbin winder spindle is in the winding position.	See page 55. Contact the service center or the store. See page 10.
USB flash drive does not work.	1. The USB flash drive is not inserted correctly. 2. The USB flash drive is damaged.	Insert the USB flash drive properly. Replace or format the USB flash drive.

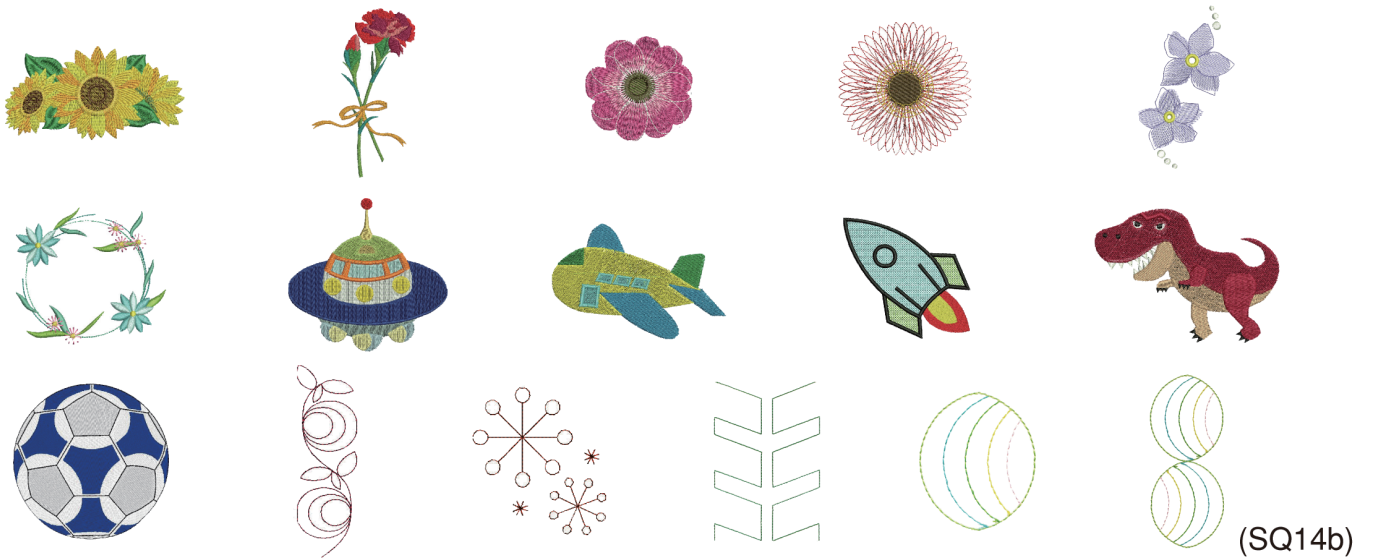
It is not abnormal for a faint humming sound to be heard from the internal motors.  
The visual touch screen may become warm after several hours of continuous use.

Embroidery

Petite Designs



Favorite Designs

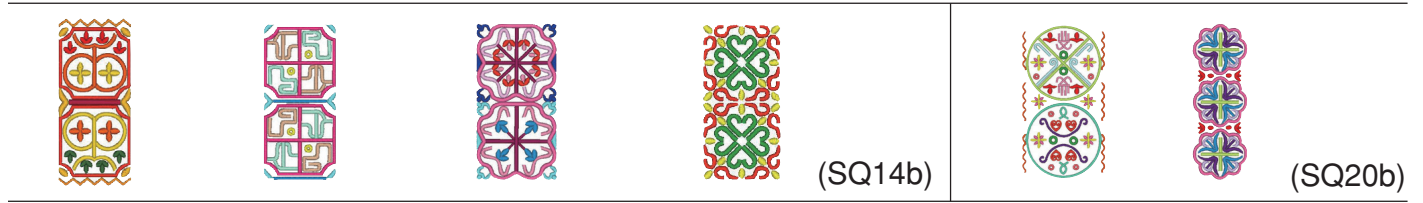


# DESIGN CHART

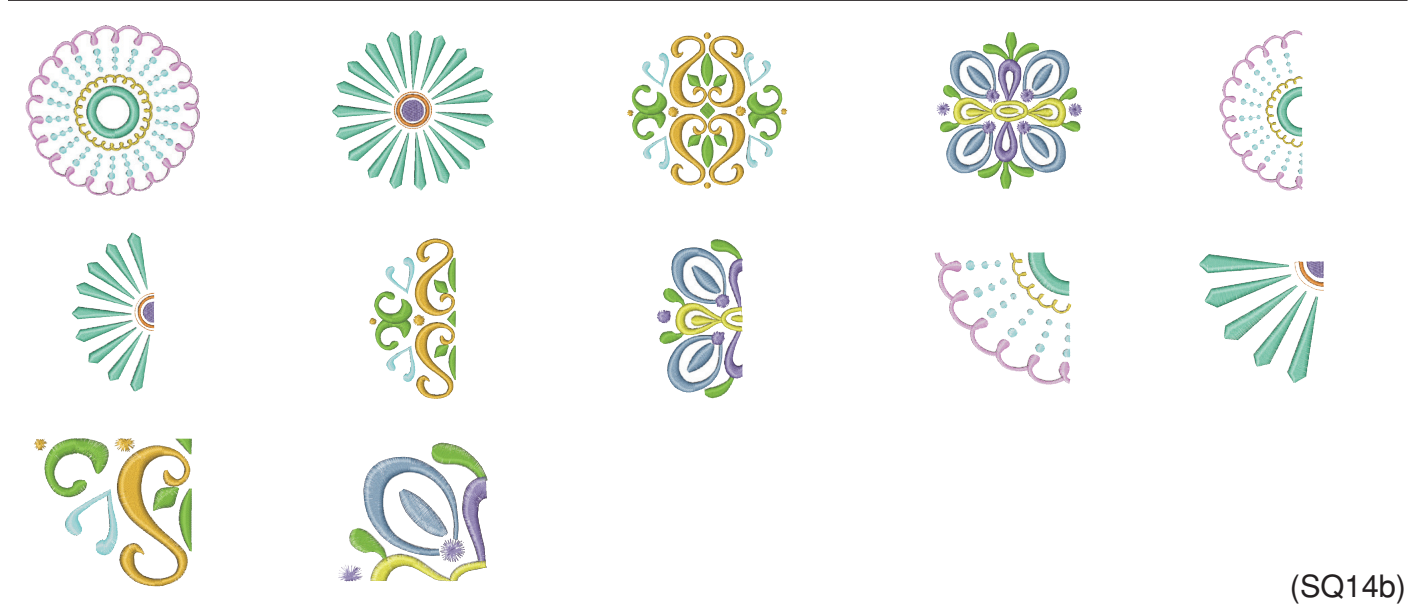
## Embroidery

Pattern images are not to scale.

### Border Designs



### Geometric Designs



### Pantry Designs



Word Style Designs



(SQ14b)



(SQ20b)

Flourish Alphabet



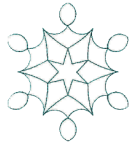
(SQ14b)

# DESIGN CHART

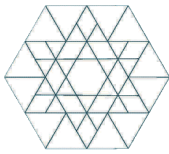
## Embroidery

Pattern images are not to scale.

### Quilting Designs

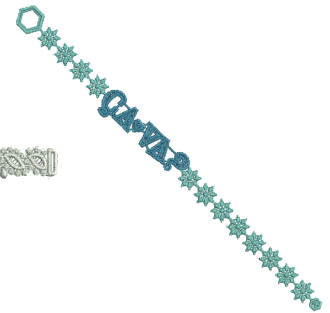


(SQ14b)



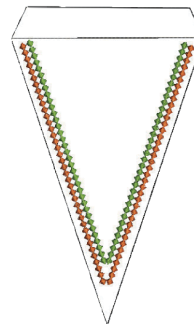
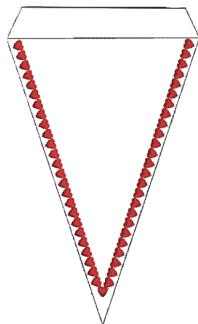
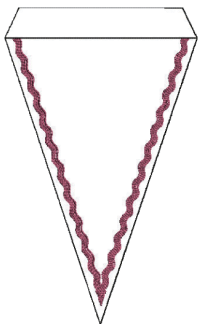
(SQ20b)

### Bracelet Designs



(SQ20b)

### Celebration Designs



(SQ20b)

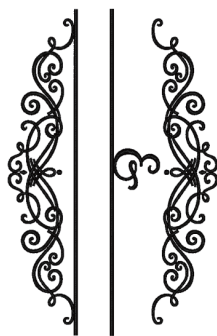
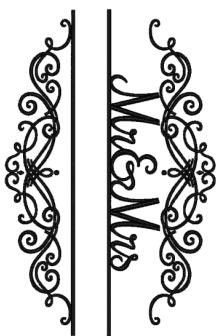
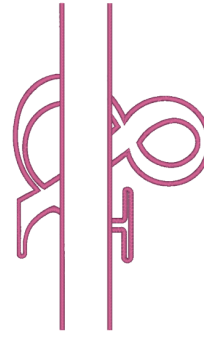
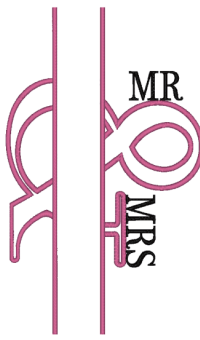
Wedding Designs

*Mr Mrs* MR MRS *Mr Mrs*

(SQ14b)

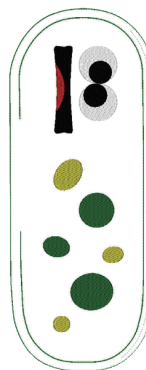
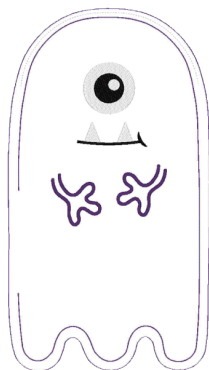
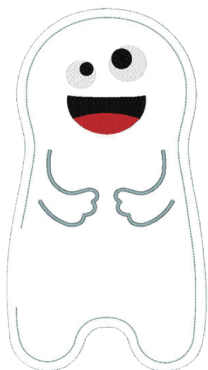
*Mr. Mrs.*

(SQ20b)



(RE36b)

In-The-Hoop Designs



(RE36b)

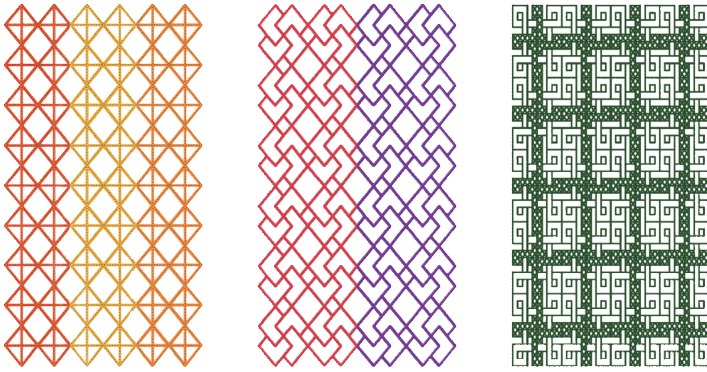
# DESIGN CHART

## Embroidery

Pattern images are not to scale.

### Sashiko Designs

---

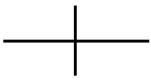


(RE36b)

---

### Calibration Pattern

---



(SQ14b)

---



# DESIGN CHART

## Embroidery

### Gothic

A	B	C	D	E	F	G	H	I	J	K	L	M	N	
O	P	Q	R	S	T	U	V	W	X	Y	Z	.	□	□
a	b	c	d	e	f	g	h	i	j	k	l	m	n	
o	p	q	r	s	t	u	v	w	x	y	z	.	□	□
1	2	3	4	5	6	7	8	9	0	&	-	\$	@	.
·	,	?	¿	!	¡	‘	’	<	>	(	)	-	+	=
/	//	%	~	:										
À	Á	Â	Ã	Ä	Å	Æ	Ç	È	É	Ê	Ë	Ì	Í	Î
Ï	Ñ	Ò	Ó	Ô	Õ	Ö	Ø	Ù	Ú	Û	Ü	ß	À	Ć
Ę	Ĝ	Ĭ	Ĵ	Ł	Ń	Ň	Œ	Ś	Ş	Ý	Ž	Ž	Ž	
à	á	â	ã	ä	å	æ	ç	è	é	ê	ë	ì	í	î
ï	ñ	ò	ó	ô	õ	ö	ø	ù	ú	û	ü	ß	à	ć
ę	ĝ	ĭ	ĵ	ł	ń	ň	œ	ś	ş	ý	ž	ž	ž	

### Cyrillic 1

А	Б	В	Г	Д	Е	Ё	Ж	З	И	Й	К	Л	М	Н	О	П	Р
С	Т	У	Ф	Х	Ц	Ч	Ш	Щ	Ъ	Ы	Ь	Э	Ю	Я	.	□	□
а	б	в	г	д	е	ё	ж	з	и	й	к	л	м	н	о	п	р
с	т	у	ф	х	ц	ч	ш	щ	ъ	ы	ь	э	ю	я	.	□	□
1	2	3	4	5	6	7	8	9	0	-	,	.	:	!	?	<	>
(	)	=	-	+	/	%											

### Script

А	Б	В	Г	Д	Е	Ё	Ж	З	И	Й	К	Л	М	Н
О	П	Q	Р	С	Т	У	В	Х	У	З	.	□	□	
a	b	c	d	e	f	g	h	i	j	k	l	m	n	
o	p	q	r	s	t	u	v	w	x	y	z	.	□	□
1	2	3	4	5	6	7	8	9	0	&	-	\$	@	.
·	,	?	¿	!	¡	‘	’	<	>	(	)	-	+	=
/	//	%	~	:										
À	Á	Â	Ã	Ä	Å	Æ	Ç	È	É	Ê	Ë	Ì	Í	Î
Ï	Ñ	Ò	Ó	Ô	Õ	Ö	Ø	Ù	Ú	Û	Ü	ß	À	Ć
Ę	Ĝ	Ĭ	Ĵ	Ł	Ń	Ň	Œ	Ś	Ş	Ý	Ž	Ž	Ž	
à	á	â	ã	ä	å	æ	ç	è	é	ê	ë	ì	í	î
ï	ñ	ò	ó	ô	õ	ö	ø	ù	ú	û	ü	ß	à	ć
ę	ĝ	ĭ	ĵ	ł	ń	ň	œ	ś	ş	ý	ž	ž	ž	

### Cyrillic 2

А	Б	В	Г	Д	Е	Ё	Ж	З	И	Й	К	Л	М	Н	О	П	Р
С	Т	У	Ф	Х	Ц	Ч	Ш	Щ	Ъ	Ы	Ь	Э	Ю	Я	.	□	□
а	б	в	г	д	е	ё	ж	з	и	й	к	л	м	н	о	п	р
с	т	у	ф	х	ц	ч	ш	щ	ъ	ы	ь	э	ю	я	.	□	□
1	2	3	4	5	6	7	8	9	0	-	,	.	:	!	?	<	>
(	)	=	-	+	/	%											

### Cheltenham

A	B	C	D	E	F	G	H	I	J	K	L	M	N	
O	P	Q	R	S	T	U	V	W	X	Y	Z	.	□	□
a	b	c	d	e	f	g	h	i	j	k	l	m	n	
o	p	q	r	s	t	u	v	w	x	y	z	.	□	□
1	2	3	4	5	6	7	8	9	0	&	-	\$	@	.
·	,	?	¿	!	¡	‘	’	<	>	(	)	-	+	=
/	//	%	~	:										
À	Á	Â	Ã	Ä	Å	Æ	Ç	È	É	Ê	Ë	Ì	Í	Î
Ï	Ñ	Ò	Ó	Ô	Õ	Ö	Ø	Ù	Ú	Û	Ü	ß	À	Ć
Ę	Ĝ	Ĭ	Ĵ	Ł	Ń	Ň	Œ	Ś	Ş	Ý	Ž	Ž	Ž	
à	á	â	ã	ä	å	æ	ç	è	é	ê	ë	ì	í	î
ï	ñ	ò	ó	ô	õ	ö	ø	ù	ú	û	ü	ß	à	ć
ę	ĝ	ĭ	ĵ	ł	ń	ň	œ	ś	ş	ý	ž	ž	ž	

### Cyrillic 3

А	Б	В	Г	Д	Е	Ё	Ж	З	И	Й	К	Л	М	Н	О	П	Р
С	Т	У	Ф	Х	Ц	Ч	Ш	Щ	Ъ	Ы	Ь	Э	Ю	Я	.	□	□
а	б	в	г	д	е	ё	ж	з	и	й	к	л	м	н	о	п	р
с	т	у	ф	х	ц	ч	ш	щ	ъ	ы	ь	э	ю	я	.	□	□
1	2	3	4	5	6	7	8	9	0	-	,	.	:	!	?	<	>
(	)	=	-	+	/	%											

## DESIGN CHART Embroidery

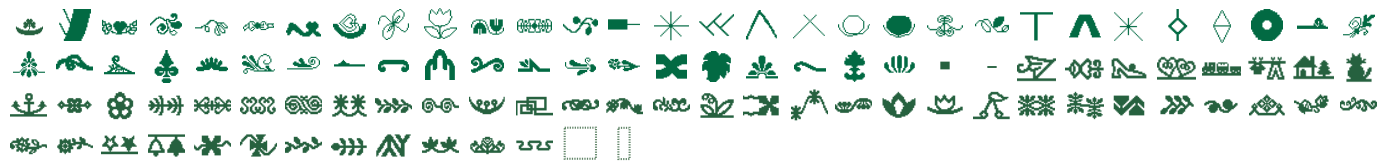
### 2-letters / 3-letters



### Border



### Normal Sew



### EC DECLARATION OF CONFORMITY

**Manufacturer:** Janome Sewing Machine Co., Ltd.  
**Address:** 1463 Hazama-machi, Hachioji-shi, Tokyo 193-0941, Japan

This machine complies with the following regulations:

- EN 60335-1: 2012; A11; A13
- EN 60335-2-28: 2003; A1
- EN 62233: 2008
- EN 55014-1: 2006; A1; A2
- EN 55014-2: 2015
- EN 61000-3-2: 2014
- EN 61000-3-3: 2013



